



HEATSAIL

EXTEND YOUR GREAT MOMENTS



DOME® PENDANT MANUAL

For the most recent version of this manual check our website.
<https://heatsail.com/usa/technical-specifications-documentation/>
Do not throw discard this manual, as it contains your device's serial number.

SUMMER
NIGHTS
SHOULD LAST
FOREVER

1	ELECTRICAL SAFETY PROCEDURES	6
2	OPERATIONAL SAFETY	6
3	MAINTENANCE	8
4	WARRANTY CONDITIONS	10
5	APPLICABLE LAW	11
6	ASSEMBLY AND WIRING INSTRUCTIONS	12
7	OPERATION	20
8	TROUBLESHOOTING	21
9	WIRING DIAGRAM	25

Thank you for your purchase!

This user manual is necessary for the operation of the DOME® Pendant and must always be kept by the user or by the authorized responsible person.

Please read through this user manual carefully. It contains essential information regarding the safety, operation, cleaning and maintenance of the DOME Pendant. Heatsail will not be held responsible for injury and/or damage to people, animals and subjects resulting from noncompliance with the instructions in this user manual.

Heatsail reserves the right to make changes to the product, technical features and user manual at any time and without the need for prior notice.

If you decide to sell the DOME Pendant, transfer it to another user or leave it behind when moving, this manual must be made available to the new user.

We would like to wish you plenty of warm and pleasant evenings with our DOME Pendant!

The HEATSAIL team

User manual

Operating, maintenance and installation guide.

Attention

Please read through these instructions carefully before using your DOME Pendant.

Do not discard this manual, as it contains your device's serial number.

1. Electrical safety procedures & requirements

The use of the DOME Pendant requires an electrical installation with reliable safety grounding. The installation's electrical safety can only be guaranteed if the device has been correctly connected to a grounding (earthing) system built in accordance with the safety instructions. A preliminary inspection is absolutely essential. In the event of any uncertainty, a careful inspection must be made by a qualified and authorized technician. Heatsail will not be held responsible for injury and/or damage resulting from an ungrounded installation.

The installation of the DOME Pedant's electrical components requires a main connection of 240V-60Hz (16 amp fuse and appropriate RCD): the connection must be properly implemented in accordance with the applicable IEC-CEI standards.

Please note: This product must be installed by a licensed electrician and the power supply connection should be in accordance with the requirements of NFPA 70 and OSHA Regulations 29 CFR 1910.304(b)(2) Statutory and other local regulations may apply.

Before carrying out any maintenance or other work, the power supply must be disconnected by a licensed electrician. Use Lock-out/Tagout procedures to ensure that the power can't be switched on again accidentally.

Adapters, power strips and extension cords may not be used for the DOME Pendant's electrical supply. A switch must be installed between the DOME Pendant and the fuse box at all times. Noncompliance with these instructions may compromise the safety of the device. Heatsail will not be held liable for any damage resulting from these issues

2. Operational Safety

A minimum clear height of 71 inches (1.80 meters) must be observed for the DOME Pendant, measured between the ground and bottom of the lowest heating element at the time of installation

Children near the product must be under adult supervision when it's in use. This product is not intended to be operated by children, or to be played with. The DOME Pendant must be kept out of reach of anyone incapable of assessing the risks which can arise from the (improper) use of electrical equipment.

Do not use the DOME Pendant in small rooms when occupied by persons not capable of leaving the room on their own, unless constant supervision is provided

CAUTION: The DOME Pendant can create extremely high temperatures and can cause burns. The DOME Pendant should never be touched once it has been switched on.

Particular attention should be paid when children and vulnerable persons are present.

The DOME Pendant will remain hot for a considerable period of time after it has been switched off. Do not touch the DOME Pendant for a period of 40 minutes after it has been switched off.

Caution should be exercised at all times. The grill does not offer protection against the heat.

The DOME Pendant must never be used when the glass is damaged.

The DOME Pendant may not be used with a timer or any device that can automatically switch on the heating, as there is a risk of fire if the DOME Pendant has been incorrectly positioned or if items have been placed within the minimum safe operating distance.

Never use the DOME Pendant in the immediate vicinity of a bath, jacuzzi, shower or swimming pool.

To reduce the risk of fire, keep textiles, curtains and any other flammable material a minimum distance of 40 inches (1 meter) from the DOME Pendant.

Never cover your DOME Pendant without disconnecting power to the unit.

The DOME Pendant must never be touched with bare, wet or damp body parts.

The DOME Pendant is constructed of six high radiance ceramic heating elements mounted on a reflective plate. The full operating temperature will be reached within 30 minutes.

Please note: there is no noticeable glow in the infrared area.

Never use the DOME Pendant to light anything. The ceramic elements are fragile and must be handled with care. The same also applies to the glass casing.

- Always ensure that the DOME Pendant is securely fixed and installed.**
- * Always keep the DOME Pendant free of snow. The DOME Pendant is not allowed for use in greenhouses or construction sites.**

Heatsail will not be held responsible for damage resulting from noncompliance with the instructions regarding use and maintenance.

3. Maintenance

3.1 Cleaning

Your DOME must be cleaned on a monthly basis.

The electrical supply must be disconnected via the installation's breaker switch before cleaning activities can commence. Cleaning may only be done with a soft, dry cloth. Do not use any abrasive cloths. Do not use detergents. Using a high pressure and/or steam cleaner is prohibited. Cleaning is only permitted once the DOME Pendant has completely cooled down.

Noncompliance with these rules may compromise the safety of the device. Heatsail will not be held responsible for damage resulting from noncompliance with the cleaning instructions.

3.2. Replacing the lamp

Your DOME Pendant is supplied with an R7S 240V/120 watt (78mm) halogen bulb as standard. The maximum permitted output power of the bulb is 120 watts.

The electrical supply must be disconnected via the installation's breaker switch before the bulb can be replaced.

You can replace the bulb by carefully sliding the glass upwards. Use a tool (like a screwdriver) to hold up the glass. The bulb is held in place by a spring. Remove the bulb by first pushing it to the left or right and thereby releasing it from its socket. Then replace the bulb and reverse previous steps.

Please note: Be careful never to touch the halogen bulb with bare fingers, as oils from skin will significantly reduce bulb life.

3.3. Inspection

The DOME Pendant must be subjected to an annual inspection.

The user is not authorized to carry out his own inspections and repairs. Inspection of the DOME must exclusively be carried out by qualified and authorized technicians, in accordance with Heatsail's applicable standards and regulations. "Qualified technicians" are understood to mean: qualified electricians who are familiar with the applicable electrical laws and regulations in accordance with the requirements of NFPA 70 and OSHA Regulations 29 CFR 1910.304(b)(2).

The electrical supply must be disconnected via the installation's main breaker or by disconnecting the plug before any work can be carried out.

All repairs must be requested via an authorized distributor of Heatsail products. A repair is only valid when original parts have been used.

Upon written approval by Heatsail, the entire control panel should be returned in case of a defective cable.

Heatsail will not be held responsible for damage resulting from noncompliance with the maintenance instructions.

4. Warranty conditions

4.1. Warranty

Your DOME Pendant comes with a two year, limited warranty. The original invoice will serve as your proof of purchase. This warranty does not affect the buyer's rights by virtue of the national legislation regarding the sale of consumer goods.

This warranty is only valid if the DOME Pendant's installation and maintenance have been carried out in accordance with the applicable standards, regulations, installation instructions, use, cleaning and maintenance of the product by qualified individuals who satisfy the legal requirements.

The warranty term will commence from the date the goods were delivered.

Any defective goods will be reviewed by an authorized Heatsail distributor. Once Heatsail has deemed a fault as a warranty situation, the Heatsail unit(s) will be brought to a local distributor for repair and returned in a timely manner.

Heatsail and its distributors will not award any compensation for any direct or indirect damage resulting from, or relating to, using the product.

The replaced parts will be under warranty for the remainder of the warranty period from the date the goods are delivered.

4.2. Warranty exclusions

- The conditions for activating the warranty were not met.
- The parts appear to be defective as a result of negligence or inappropriate use or incorrect maintenance.
- The installation has not been carried out in accordance with the legal standards and not in accordance with the instructions provided in the user manual.
- Any damage caused as a result of weather conditions, chemical and electrochemical reactions, improper use, natural disasters, electrical discharge, fire, a defective electrical installation, modifications or mishandling to packaging, the handle and the electrical wiring.
- Any damage caused by defective electrical system, changes in or damage to gaskets, the handle and the electrical wiring.
- All damage caused by transportation.

We recommend you thoroughly check the goods upon receipt, allowing you to immediately notify the seller of any possible damage and to record any such damage on the transport document and the courier's copy.

For example:

- Physical damage after the installation, including glass breakage, and scratches on the DOME and accessories.
- Suspicious tampering with the DOME and/or other causes which can't be attributed to the product's manufacture.
- The use of non-original replacement parts.
- Damage caused through normal wear and tear.

4.3. What to do in the event of a fault?

In case of a fault, you must contact an authorized distributor immediately (no later than two months after the fault was first identified) for a repair or replacement. The warranty can only be initiated after written permission has been granted.

Heatsail declines any form of liability for any possible damage and/or injury which has been either directly or indirectly caused to people, animals or objects as a result of noncompliance with the instructions in the user manual and which specifically concern the warnings in relation to the installation, use and maintenance of the device.

5. Applicable law - competent court

The general terms and conditions and the agreement are governed by Belgian law. The courts of the judicial district of Antwerp shall have exclusive jurisdiction to settle any dispute arising from the agreement

6. Assembly and wiring instructions

Open the box and follow these instruction guidelines for a quick installation.

You'll find this inside:

1x	DOME hood	1x	remote control
1x	assortment of stems	4x	universal screw and anchors
4x	M6 set black screws	1x	manual
4x	M6 set gray screws	1x	suspension bracket
4x	M6 buttonhead screws	1x	ceiling rose/medallion with electronics module

Tools required for installation

To install your DOME Pendant safely, you need the following tools:



Work gloves



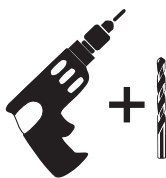
Stable ladder



Hex Key



Two strong people to help you



Drill and 8 mm (or 5/16in) drill bit



Philips-head screwdriver

STEP 1

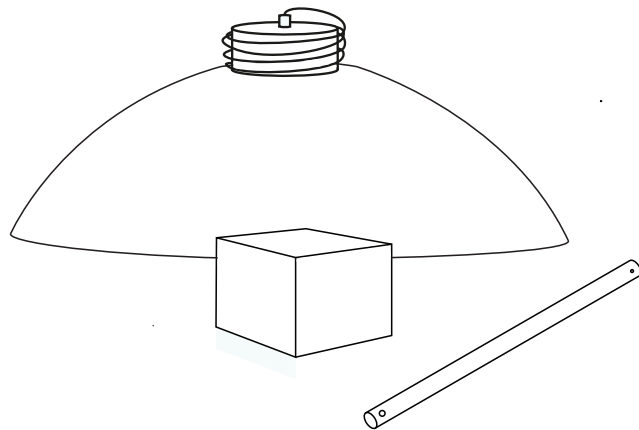
Open the box carefully

Place the box on a flat surface and carefully unfold the cardboard.

STEP 2

Remove all parts from the box.

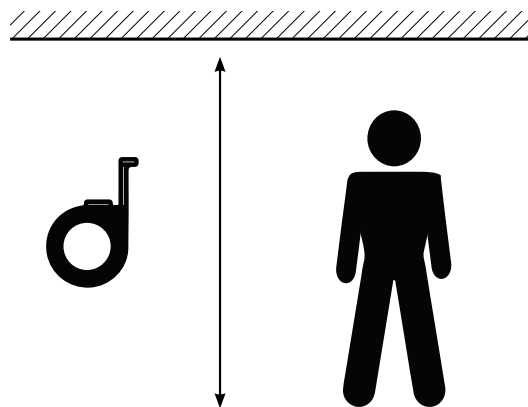
Note: Do not carry the DOME Pendant by the cable.



STEP 3

Measure the height of the ceiling

The DOME Pendant must hang at a minimum height of 71 inch (180 cm). To calculate, measure the height of the room from floor to mounting location and subtract 87 inch (220 cm). This will give you the length of the stem that is needed for this application.

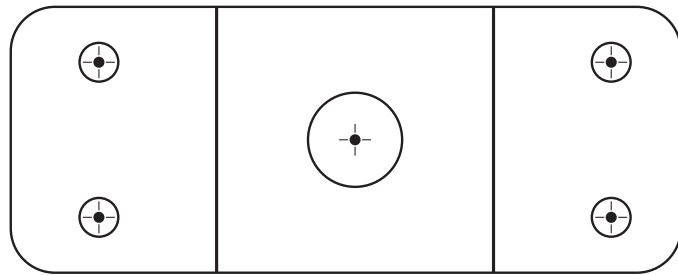


STEP 4

Use the metal bracket and a pencil to mark where the bracket will be mounted.

Four universal anchor screws are included (bore diameter 8 mm)

Note: If the supplied hardware is not suitable for your mounting surface, please contact your local hardware supplier.



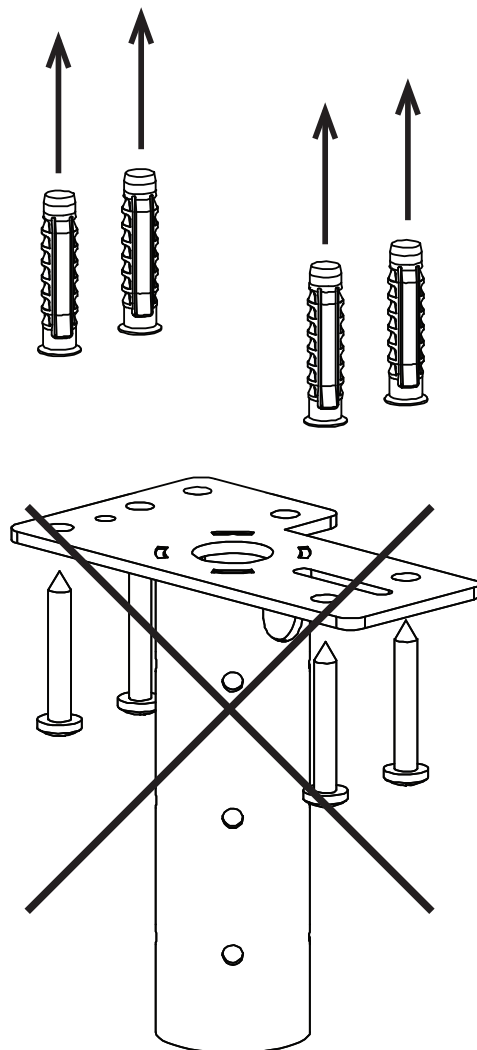
STEP 5

Using the drill, make four holes in the locations marked in step 4.

Install the screws anchor in the intended holes. Gentle tapping with a hammer may be needed to fully seat the screws anchors. When properly installed, the anchors will be flush to the mounting surface.

If the supplied hardware is not suitable for your surface, please contact your local hardware supplier.

Note: Do not screw the bracket in place at this time.

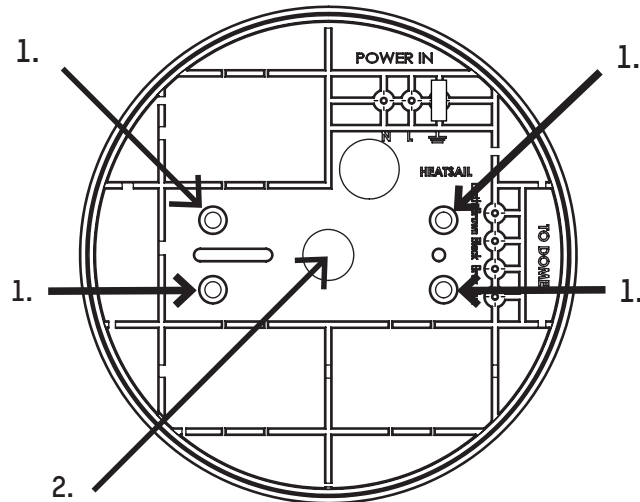


STEP 6

Using the drill, make four corresponding holes to those used for the ceiling mount bracket (see step 4) in the ceiling rose/medallion. Number 1 on the diagram.

Note: Use drill size suitable for the mounting hardware use.

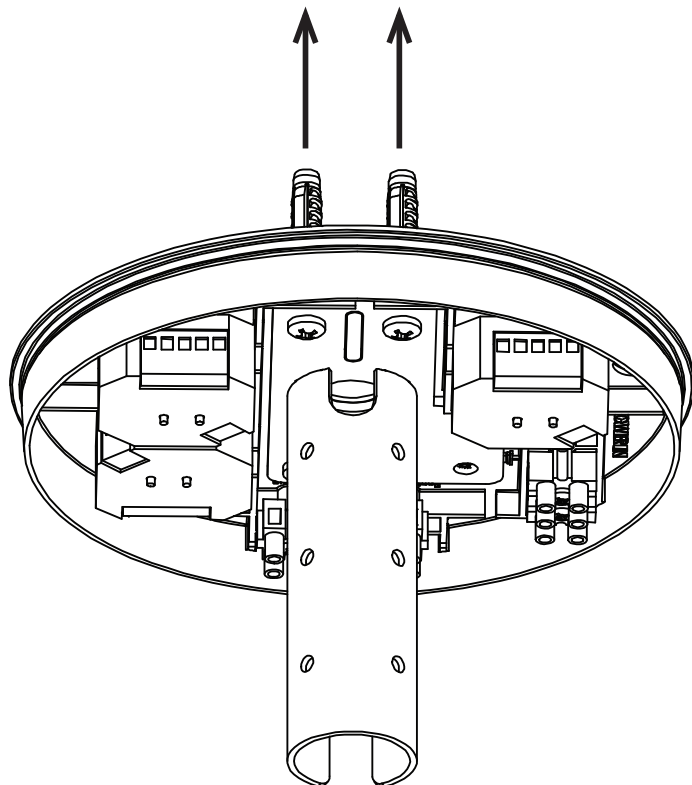
Next, drill one large hole in the middle of the ceiling rose for the wiring extending from the ceiling. Number 2 on the diagram.



STEP 7

Using the four universal screws or other hardware appropriate for mounting surface, install the mounting bracket and ceiling rose/medallion as shown.

Note: ceiling rose/medallion will come furnished with the required electrical wiring componentry.

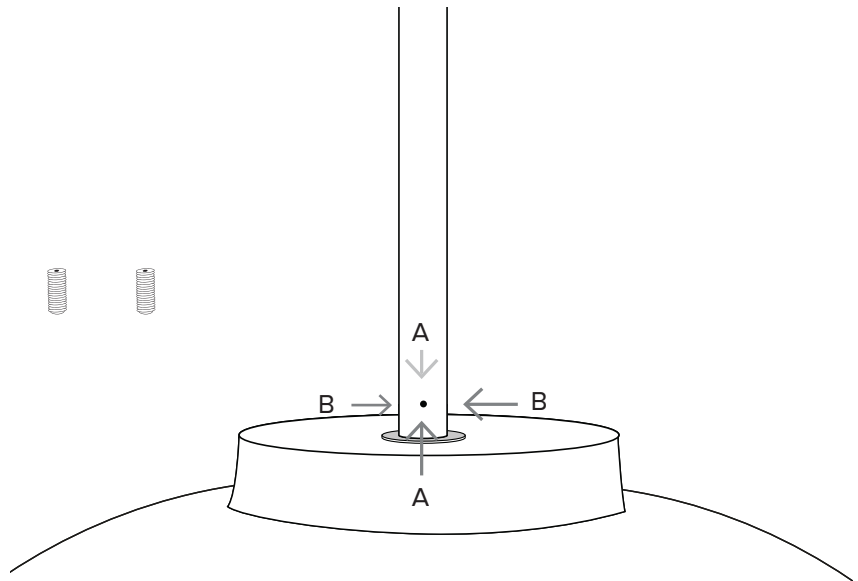


STEP 8

Unwind power cable from DOME Pendant and feed cable through the included stem. The threaded holes have to face downward towards the DOME.

Identify the holes in the mounting bracket and make sure they match with the holes (A) shown at right. Secure the DOME using two M6 set screws.

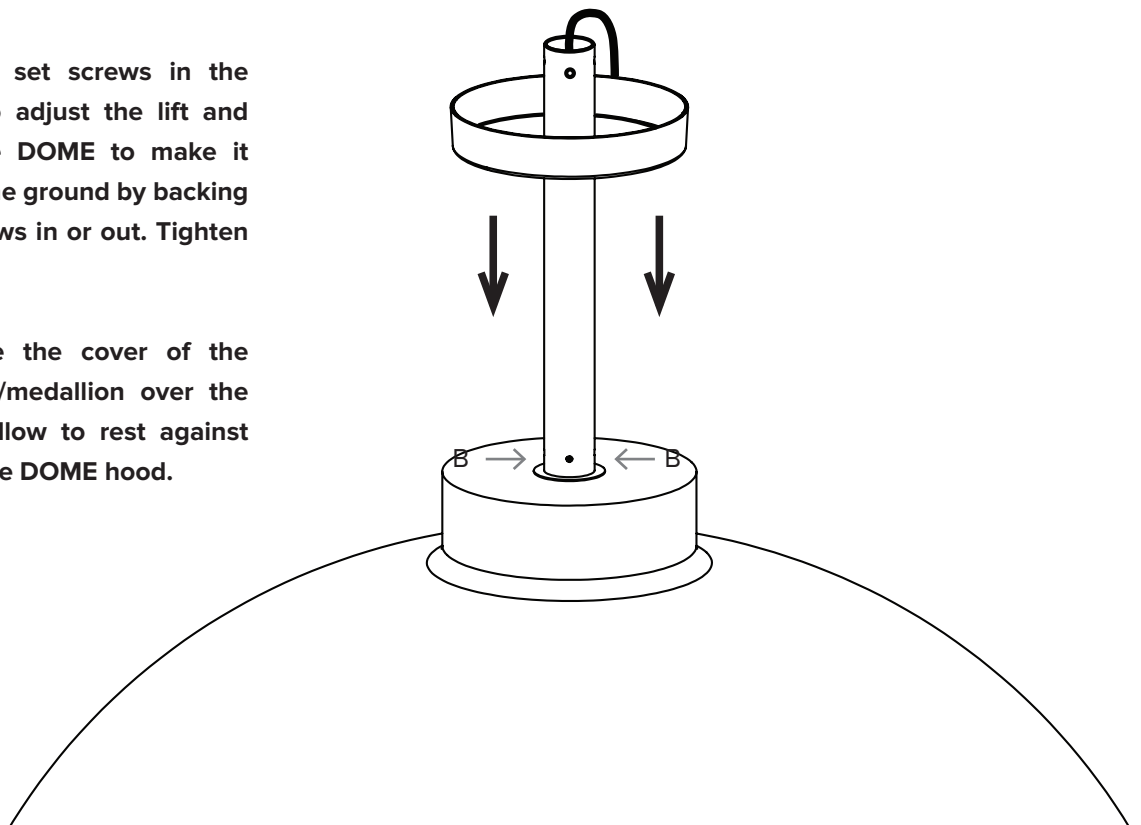
Note: DO NOT tighten them fully, they have to stick out 1/16 of an inch.



STEP 9A

Secure two set screws in the holes (B) to adjust the lift and level of the DOME to make it parallel to the ground by backing the set screws in or out. Tighten them fully.

Gently slide the cover of the ceiling rose/medallion over the stem and allow to rest against the top of the DOME hood.

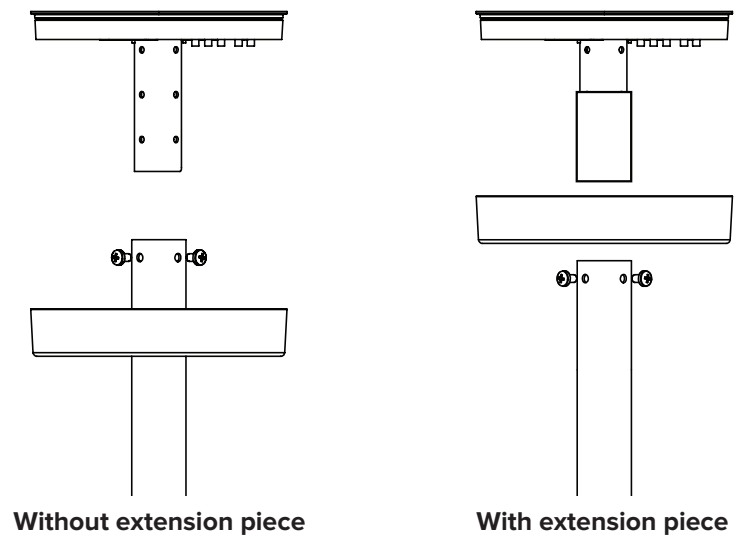


STEP 9B

Verify the position of the ceiling rose cover.

The use of an extension piece is suggested when the DOME Pendant need to be lowered (see step 3)

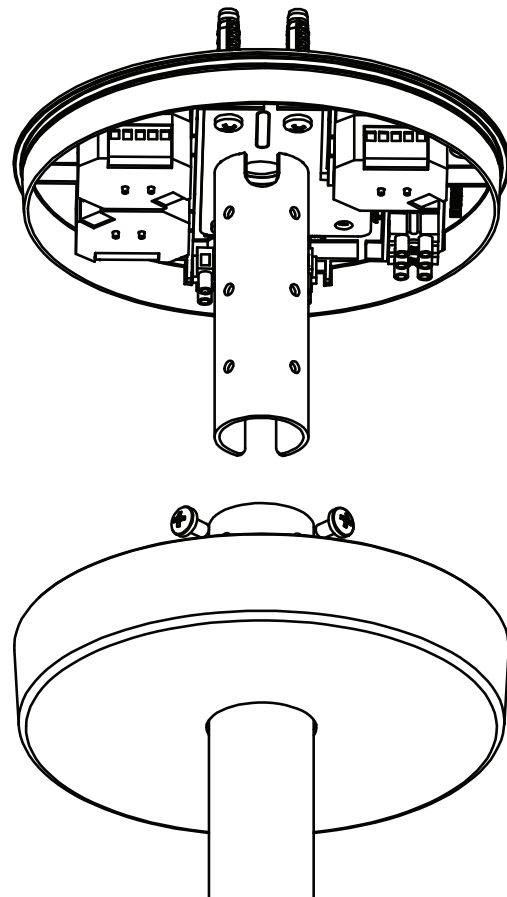
Note: Make sure the cable is not damaged in the process.



STEP 10

Lift the assembly with the DOME Pendant with the help of another person or a mechanical lift and gently slide the stem over the mounting bracket.

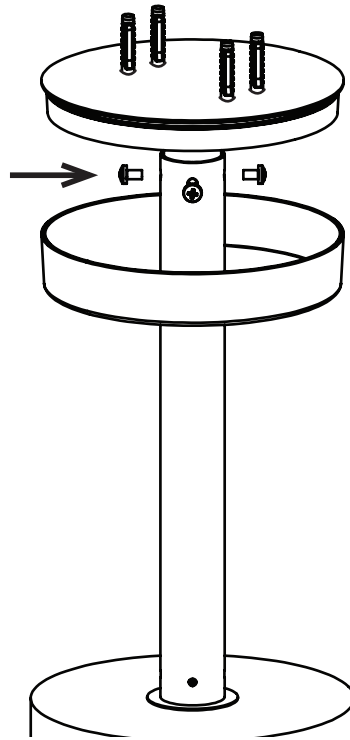
Note: Make sure the cable is not damaged in the process.



STEP 11

Fix the stem to the mounting bracket with the four supplied M6 buttonhead screws.

Note: if you are using the bottom holes of the bracket to hang the DOME Pendant at a height of 180cm, use the provided extension piece.



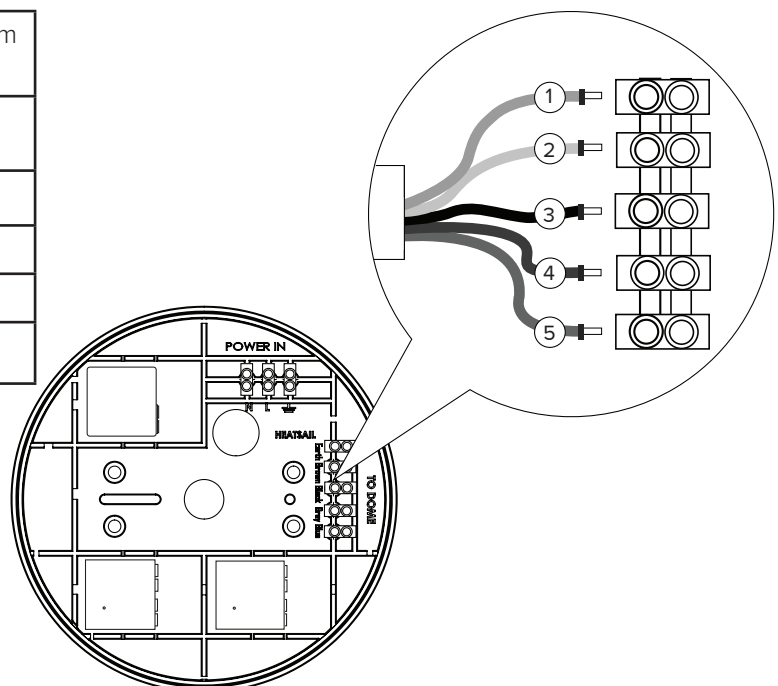
STEP 12

Connect the DOME Pendant's electrical wires to the distribution block, as indicated below. (Colors of the cables must match.)

Follow the colors as indicated:

Wire number	Wire color	Insert	Pictogram
1	GREEN/YELLOW	Ground	
2	BROWN	L1	
3	BLACK	L3	
4	GRAY	L2	
5	BLUE	N	N

You can find the wiring diagram on page 25.

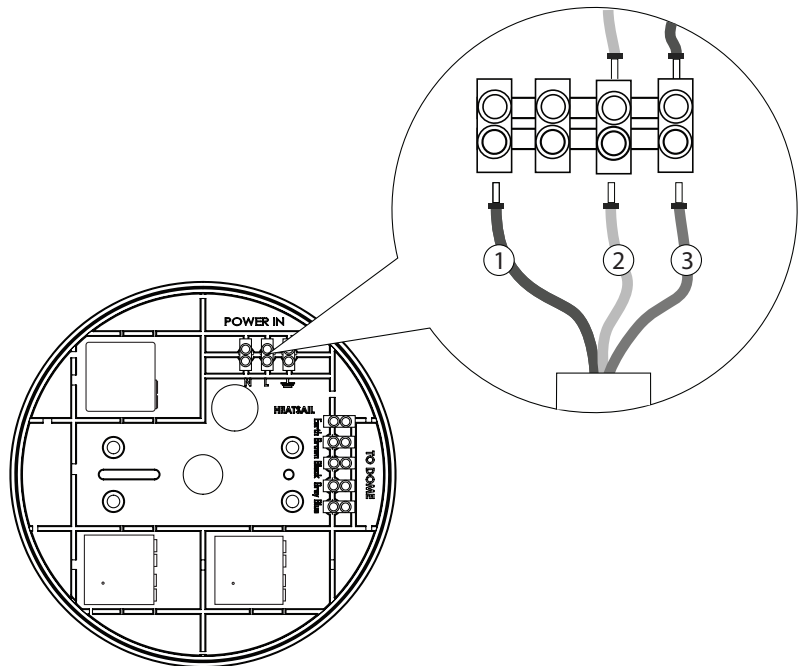


STEP 13A

Connect to power source (3-wire)

1. BLACK (Live)
2. RED (Live)
3. GREEN/YELLOW (Grounding)

Note: Ensure the power is disconnected before installing!

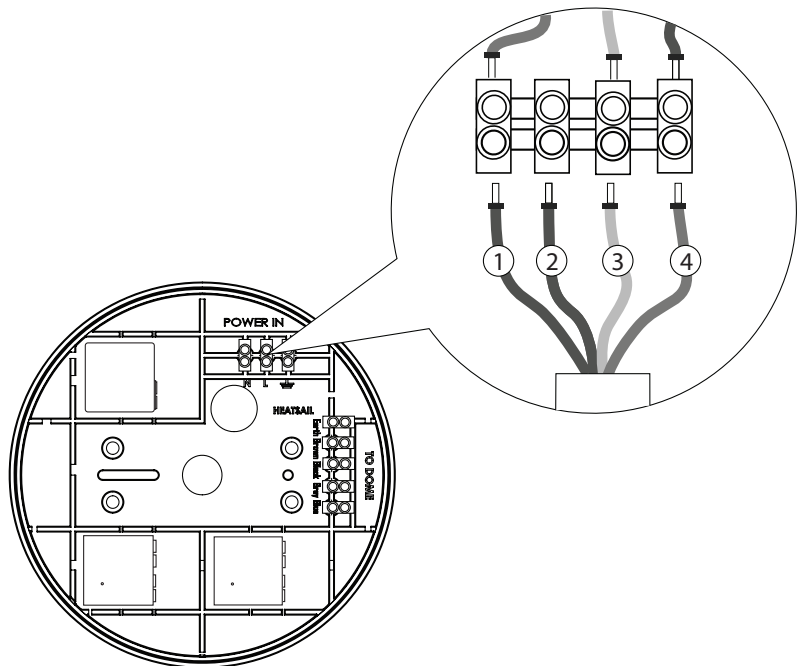


STEP 13B

Connect to power source (4-wire)

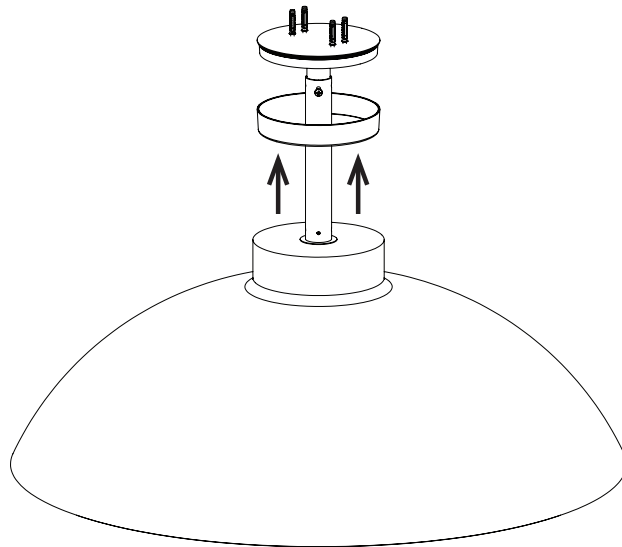
1. BLACK (Live)
2. WHITE (neutral - not in use)
3. RED (Live)
4. GREEN/YELLOW (Grounding)

Note: Ensure the power is disconnected before installing!



STEP 14

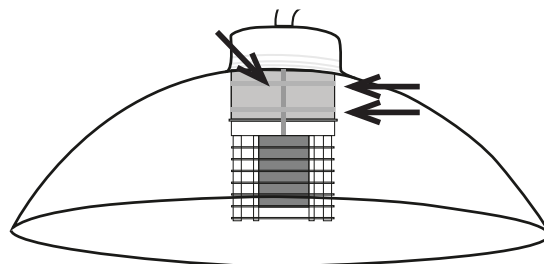
Slide the cover upward and fix into place on the ceiling rose with the small screws.



STEP 15

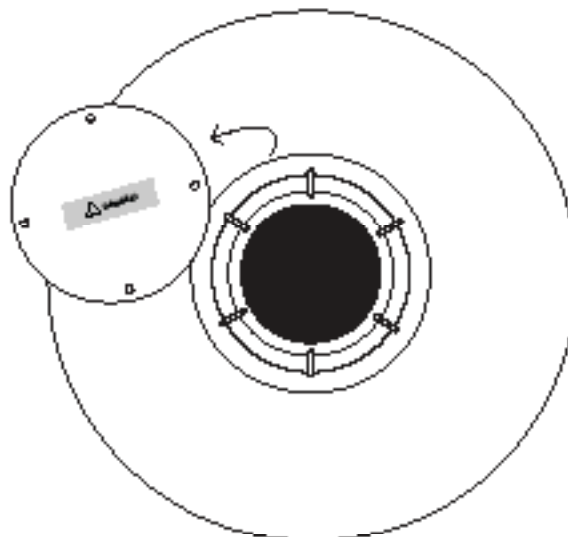
Cut away the three elastic bands and remove them entirely.

Note: Two of them are found behind the glass. Carefully lift up the glass to expose the bands.



STEP 16

Look up and identify the protective plate, remove by cutting the three zip ties. Ensure that all decals on the bottom of the plate and heating element are removed, if present.



Enjoy your brand new DOME Pendant.

7. Operation

Activate your DOME Pendant

When you set up the DOME Pendant, it may take up to 30 minutes before it reaches the full temperature. It also takes up to 40 minutes before the system has cooled off to a safe temperature.

To use your DOME Pendant a remote control is included that works as follows:

Button 1 - 2 (light only)

Press “0” for off, press “1” for on.

Button 3 - 6 (light only)

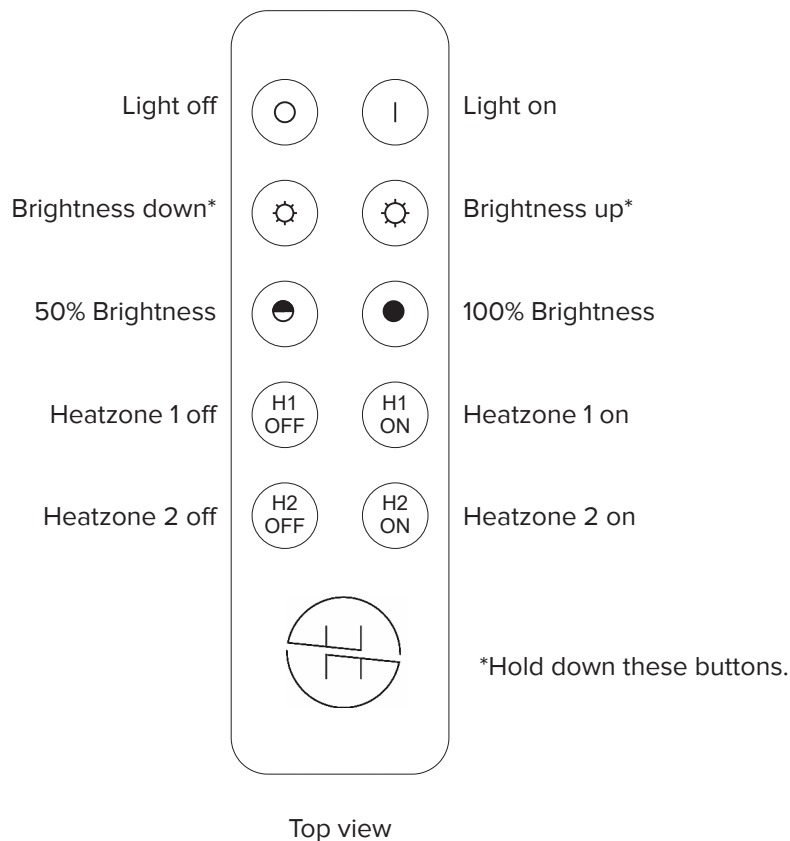
Different brightness settings for lights.

Button 7 - 8 (heat only)

Press “H1 off” to turn heatzone 1 off, press “H1 on” to turn heatzone 1 on.

Button 9 - 10 (heat only)

Press “H2 off” to turn heatzone 2 off, press “H2 on” to turn heatzone 2 on.



8. Troubleshooting

The electrical supply must be disconnected via the installation's main breaker before any work can be carried out.

The light does not work

Switch off power. Lift the glass of the the DOME upwards. Insert a rigid item (like a screwdriver) underneath the glass to keep it up. You can now access the halogen bulb. Verify it is well-seated and not broken. If you need to replace the bulb, replace it with a standard R7S 78mm, 240V/120W bulb)

Note: Always use a cloth or gloves to replace the bulb, touching it with bare hands shortens the life considerably.

If the light is good, see next page for reprogramming the remote control.

If this does not resolve your issue, verify that the blue and brown wires are properly inserted into the connection block. Refer to step 12

No heat

None of the heating elements work. Check if the DOME Pendant is switched on. Verify blue, brown, black and gray wires are properly connected see wiring diagram page 26. Bypass the switches and connect the DOME on the powersoucre. If the elements work reprogram the remote see page 24.

The heating only work partially

Verify blue, black and gray wires are properly connected see wiring diagram page 25.

Nothing works

Verify all wires are properly inserted in the connector block (see step 12 and step 13). You can find the wiring diagram on page 25.

Verify that the circuit breaker switch is turned on and has not been tripped.

Close the control box and retry.

If still not working, please contact your dealer.

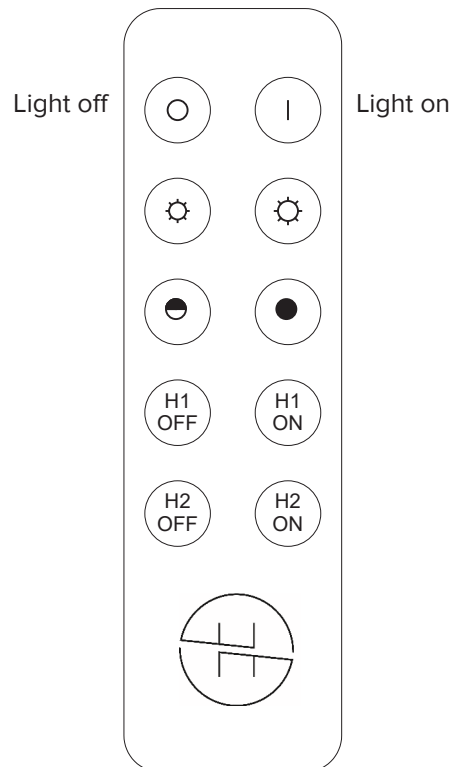
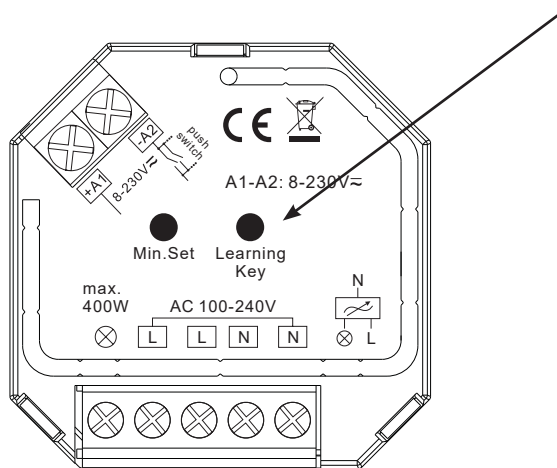
Step 1: Disconnect remote before reinstalling - this will disconnect light and heating

Switch the power off to the DOME pendant. Switch the power back on while pressing the "light off" button, after six seconds the light will go on and off. The remote is disconnected.

Step 2: Reprogramming the remote.

Open the electrical box and locate the dimmer module. You can find more information on page 25.

- (1) Switch on the main power
- (2) Beware of any exposed wiring
- (3) Find the "Learning key" on the module.



Step 3: Register transmitter with the recipient

(1) Press the "learning key" briefly. The search mode will be active for a short period.

(2) Send a signal to the receiver with the remote by clicking the "light on" button on the remote control for the dimmer module. If this is the first use, please be sure that the protective film on the battery of the remote is removed, if not done so by Heatsail.

(3) The receiver will store the applicable transmission code in the receivers memory. If the device succesfully paired with the remote, the light on your DOME will light up briefly (1-2 seconds).

Repeat this procedure to register several remotes, if so required. The receiver can store up to eight transmission codes in its memory. The memory will be retained if you install the receiver somewhere else or if the power goes off.

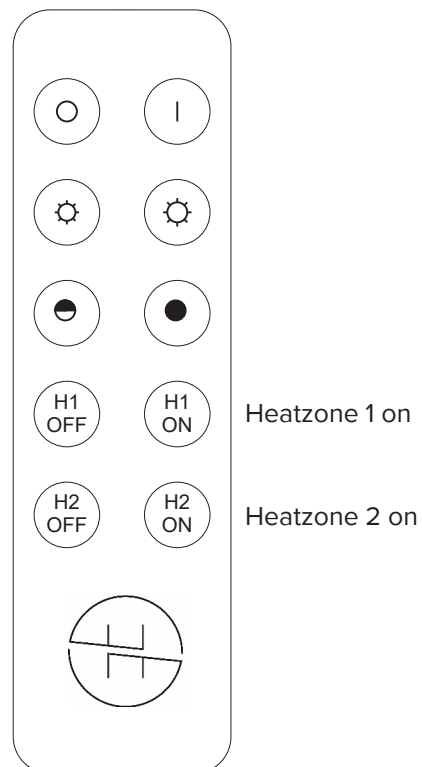
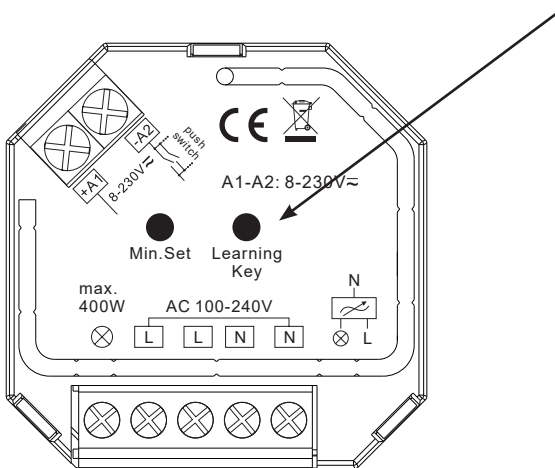
Step 1: Disconnect remote before reinstalling - this will disconnect light and heating

Switch the power off to the DOME pendant. Switch the power back on while pressing the "light off" button, after six seconds the light will go on and off. The remote is disconnected.

Step 2: Reprogramming the remote

Open the electrical box and locate the switch modules. You can find more information on the next page.

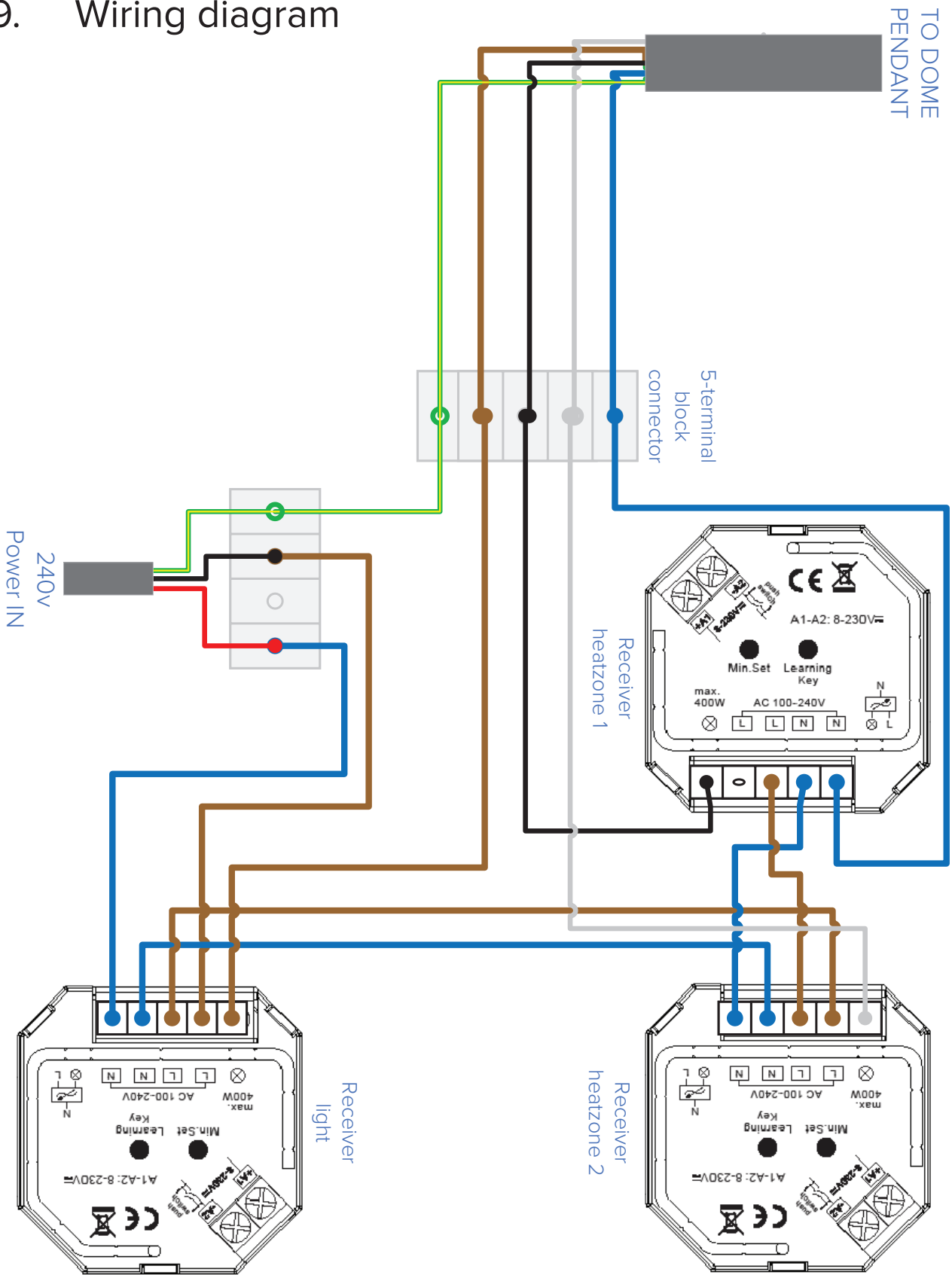
- (1) Switch on the main power
- (2) Beware of any exposed wiring
- (3) Find the "Learning key" on the module.



Step 3: Register transmitter with the recipient

- (1) Press the "learning key". The search mode will be active for a short period.
- (2) Send a signal to the receiver with the remote by clicking the "heatzone 1" or "heatzone 2" button on the remote control. If this is your first use, please be sure that the protective film on the battery of the remote is removed, if not done so by Heatsail. You will hear a click in the module everytime you press the on or off button.
- (3) The receiver will store the applicable transmission code in the receivers memory. If the device succesfully paired with the remote.

9. Wiring diagram



Find color version on <https://heatsail.com/usa/technical-specifications-documentation/>



DOME® TIMELESS LIGHTING
WITH HEATING FOR YOUR GARDEN OR TERRACE



RUSTPROOF &
WEATHERPROOF



LOW ENERGY USAGE
ZERO CO2 EMISSION



MINIMAL
MAINTENANCE



HEATSAIL

EXTEND YOUR GREAT MOMENTS

Corporate Headquarters

HEATSAIL NV

Prins Boudewijnlaan 7 Unit A 08
2550 Kontich
Belgium

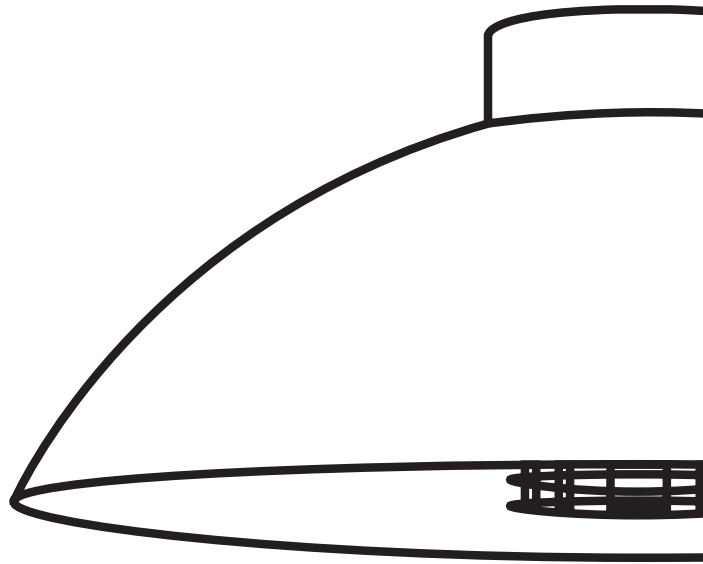
+32 3 502 99 88
sales@heatsail.com
www.heatsail.com

U.S. Office

HEATSAIL NV

10440 N Central Expressway, Suite 800
Dallas, Texas 75231
United States

+1 214 808 5091
UCM@heatsail.com
www.heatsail.com/usa



SERIAL NUMBER