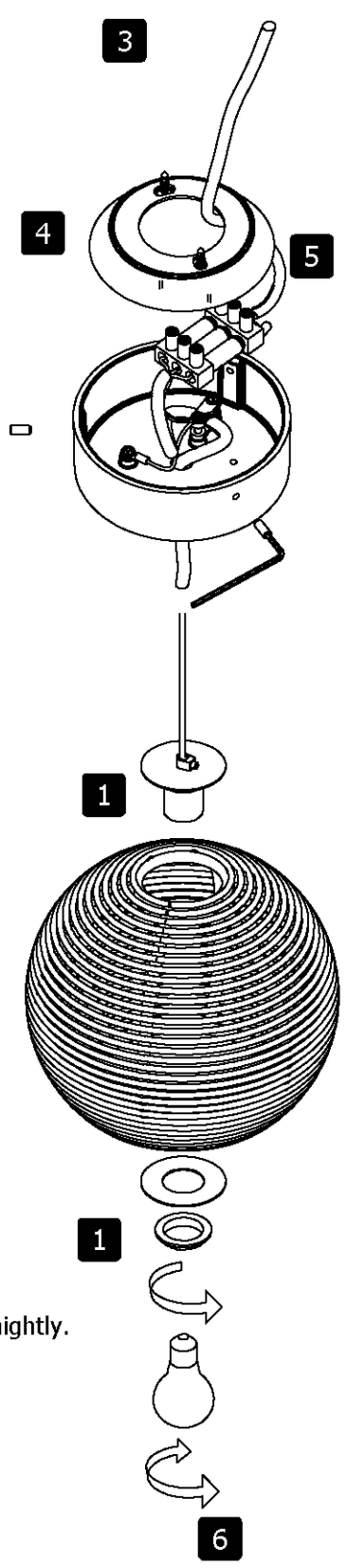
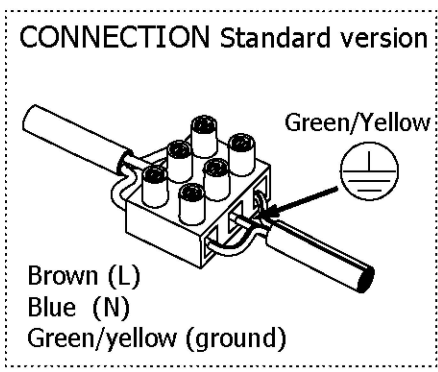
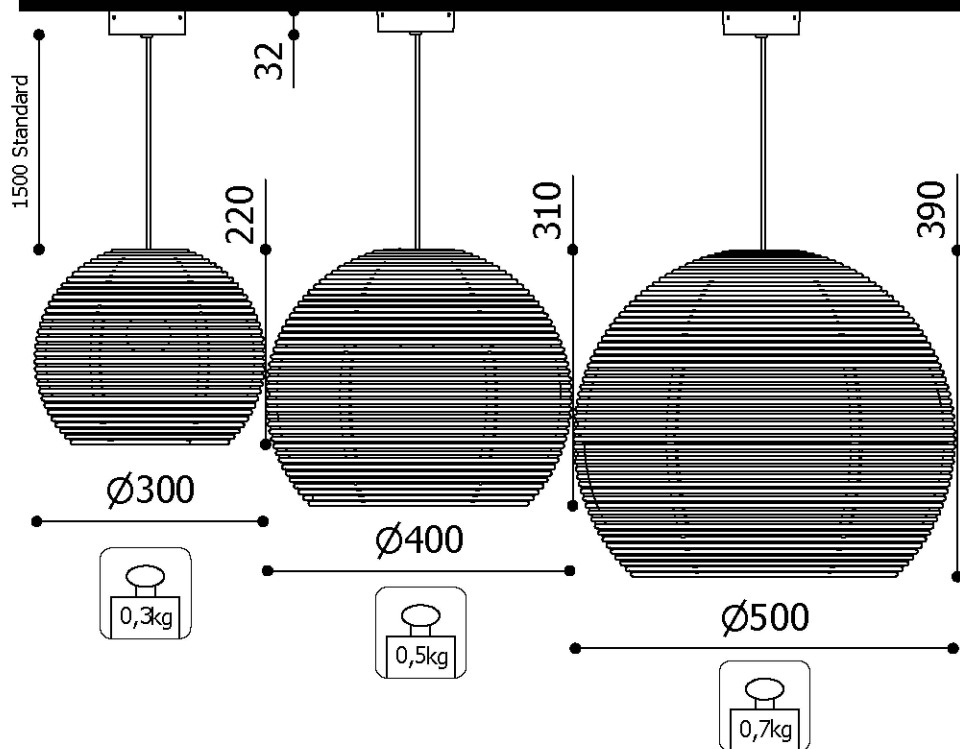


Assembly Doctor for SANGHA 30, 40, 50

Design by Dark Studio for DARK



1. Put the lamp frame through the body.
2. Place the locking disk over the lamp socket, followed by the screwing disk and fasten tightly.
3. Mount the ceiling bracket with 2 screws onto the ceiling.
4. Adjust the fixture to the preferred height and fasten the strainrelief.
5. Connect the power supply and close the ceiling base.
6. (Re)place the lamp, respect maximum wattage.

Lamp possibilities



Dark at night
Vliegplein 43 - 9991 Maldegem
Belgium - Europe

tel +32(0)50/71.81.40
fax +32(0)50/71.81.38
mail info@dark.be

E27		max 42 Watt
E27		max 11 Watt
E27		max 12 Watt

			IP 20
	960°C		