

Please read carefully and save these instructions, as you may need them at a later date for bulb replacement, cleaning or maintenance.

The product meets the following standards: IEC/EN 62031, IEC/EN 61000-3-2, EN 60598-2-1:1997

The glass is hand made, each piece is unique. Tiny bubbles and optical irregularities may occur and are considered a proof of its handmade origin.

SAFETY

BE SURE THE ELECTRICITY TO THE WIRES YOU ARE WORKING ON IS SHUT OFF. EITHER THE FUSE IS REMOVED OR THE CIRCUIT BREAKER IS TURNED OFF. TURNING THE POWER OFF USING THE LIGHT SWITCH IS NOT SUFFICIENT TO PREVENT ELECTRICAL SHOCK.

ASSEMBLY AND INSTALLATION

Check the contents to be sure everything is included. Before starting the installation, disconnect the power by turning off the circuit breaker or by removing the appropriate fuse at the fuse box. Turning the power off using the light switch is not sufficient to prevent electrical shock.

All electrical connections must be in accordance with local standards. Installation of the fixtures should only be done by an authorized electrician in accordance with the installation instructions and sector specific safety requirements. Any repairs of service and maintenance must be done by a person with the appropriate qualifications and who has read these guidelines. Any work carried out on the lighting fixtures should be performed only when the circuit is disconnected. During service and maintenance or remedial work, care should be taken to examine the mechanical status of the fixture fixings. It is prohibited to install the fixture to any light sources other than those specified on the product label. Failure to comply with this may result in product failure, jeopardize the electrical the electrical installation, or pose a risk to health and safety.

IT IS FORBIDDEN TO:

- Install the lighting fixtures to a power supply outside the parameters specified on the product label.
- Install the lighting fixtures in environments inconsistent with the stated degree of ingress protection (IP rating).
- Install the lighting fixtures with distance smaller to the illuminated object than specified on the product label.
- Install the lighting fixtures on a surface or structure other than is recommended by the manufacturer.
- Apply either mechanical elements or adapt the electrical installation procedure other than included in the instruction for use manual. Painted surfaces should always be cleaned with a soft damp cloth with the power disconnected. It is inadvisable to use chemically aggressive or solvent based cleaning agents. On culmination of their commercial life, the lighting fixtures should not be haphazardly discarded. They must be disposed of according to the WEEE Directive regulations - either to a waste disposal point or returned to the manufacturer.

Failure to comply with the above might result in product failure, jeopardize the electrical installation, or pose a risk to health and safety.

CLEANING AND MAINTENANCE

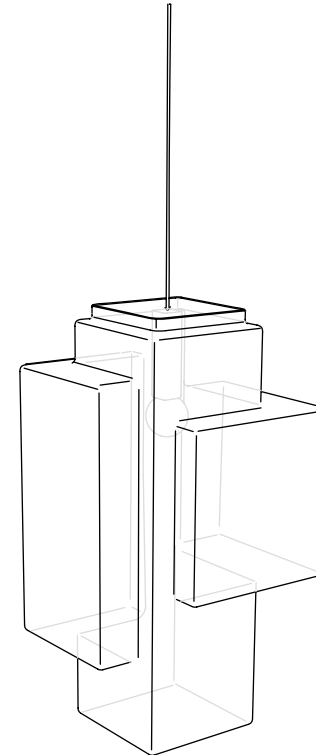
Polish using soft cloth.
Never use abrasive chemicals or materials.
To clean the glass shade use suitable glass cleaner.
Always use fabric gloves to protect the surface against damage.

NOTE

The important safeguards and instructions appearing in this manual are not meant to cover all possible conditions or situations that may occur. It must be understood that common sense, caution, and care, are factors which cannot be built into any product. These factors must be supplied by the person(s) installing this unit.

DECHEM

TETRIS LIGHT



E27 LED 6W, 230V 50Hz
IP 20
CLASS I

DIMENSIONS
w 29 x d 23 x h 53 cm
cable length 180 cm

Make sure to read these installation instructions and review the diagrams thoroughly before installation.

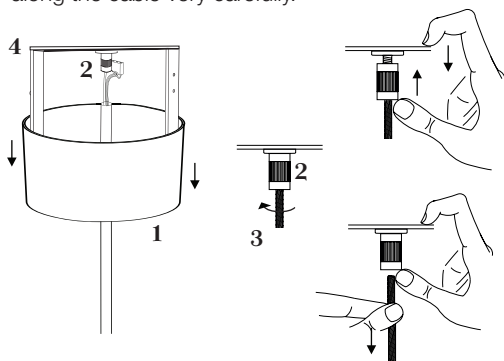
STEP BY STEP INSTALLATION

MAKE SURE ALL THE ELECTRICAL POWER IS OFF

ADJUSTING THE CABLE LENGTH

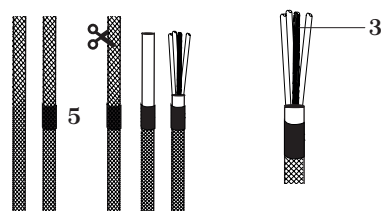
A

You can adjust the length of the cable if needed. Slide down the entire canopy (1). Unscrew and push the cable grip (2) to release the cable (3) from the inner construction (4) as explained in the picture. Note: The textile coating of the cable is sensitive to abrasion. Always slide the elements along the cable very carefully.



B

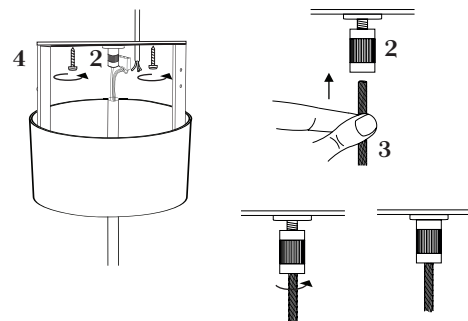
Adjust the cord length. Place a thin electrician tape (5) to the place where you intend to cut to prevent the textile coating from moving. Then cut the cord and strip the wires. Remove the plastic layer from the exposed part of the steel cord (3).



INSTALLING THE CEILING HOOK

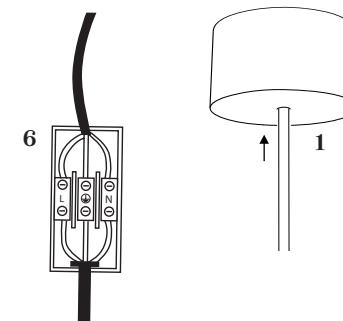
C

Screw the inner construction (4) of the canopy to the ceiling. Fasten the cord (3) as explained in the picture.



D

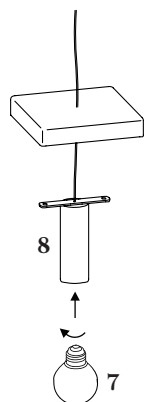
Connect the wires to the junction box (6), respecting the colours: L is brown or black, N is blue, grounded wire is green/yellow. Carefully pull up the canopy (1) to cover the inner construction.



ASSEMBLING THE LIGHT

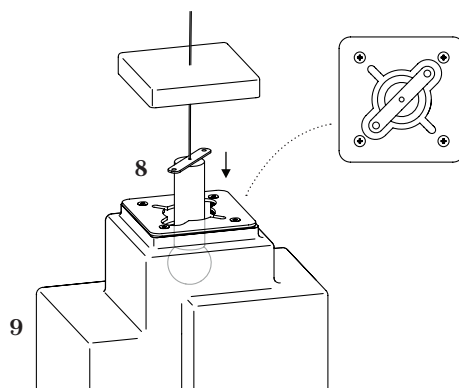
E

Thread the bulb (7) into the socket in the metal part (8) until secure.



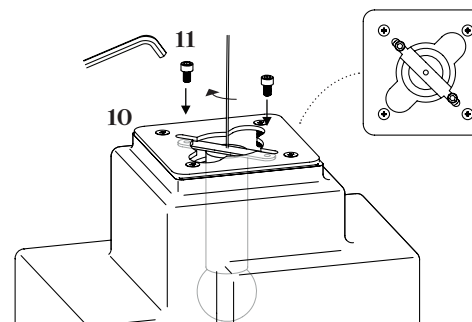
F

Insert the metal part (8) into the glass shade (9).



G

Make sure that the metal part is below the shade's top metal plate (10) and then turn metal part by 90°. Secure with two screws (11) using a hex key.



H

Place the cap (12) on top of the glass shade (9).

