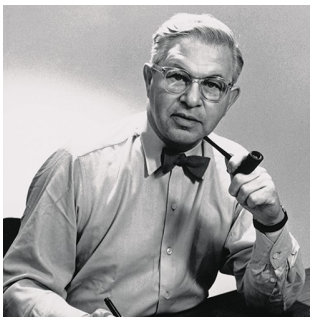


# AJ 50 WALL

AJ 50 Wall - 5743145803

The fixture emits downward directed light. The shade is painted white on the inside to ensure a soft comfortable light distribution.



## Arne Jacobsen

Arne Jacobsen was born and raised in Copenhagen. In 1927, he graduated as an architect from the Royal Danish Academy of Fine Arts in Copenhagen. After graduating, he obtained his first job at the office of the City Architect of Copenhagen launching his own office only two years later.



## Cocks & Cows



## Skagen

## Product info

### Information

Compatible with leading edge mains dimmers. Please note that low power consumption on some products can affect dimming properties. This product is fitted with an integrated energy-saving LED light source. Should you wish to replace it, please contact Louis Poulsen so we can help you purchase the correct LED Replacement Kit. Please note that LED-replacement should always be carried out by an authorised electrician.

### Mounting

Terminal block: 1x3x2.5mm<sup>2</sup>. Cable entries: 2x bottom + 3x rear entries for Ø 10-14.5mm cable. Looping: Approved, max. 3x1,5mm<sup>2</sup>.

### Finish

White, black or aluminium coloured with textured surface, powder coated.

### Materials

Shade: Die cast aluminium. Wall box: Die cast aluminium. Arm: Die cast aluminium.

### Sizes and weights

Width x Height x Length (mm) | 349 x 248 x 160 Max 2.0 kg

### Class

Ingress protection IP65. Electric shock protection I w. ground. IK06.

### Specification notes

1. AJ 50 Wall has a LED light source that can be connected directly to the main power supply. 2. All LED efficiency information are measured as system power.

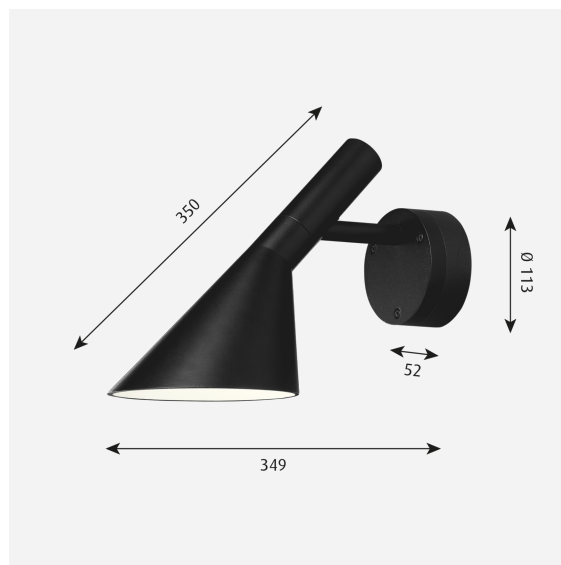
### Light source

LED 3000K 7.6W

Lumen: 428

### Information

Compatible with leading edge mains dimmers. Please note that low power consumption on some products can affect dimming properties. This product is fitted with an integrated energy-saving LED light source. Should you wish to replace it, please contact Louis Poulsen so we can help you purchase the correct LED Replacement Kit. Please note that LED-replacement should always be carried out by an authorised electrician.



## Related products



AJ Floor



AJ Table



AJ Wall



AJ Mini Table



AJ Royal



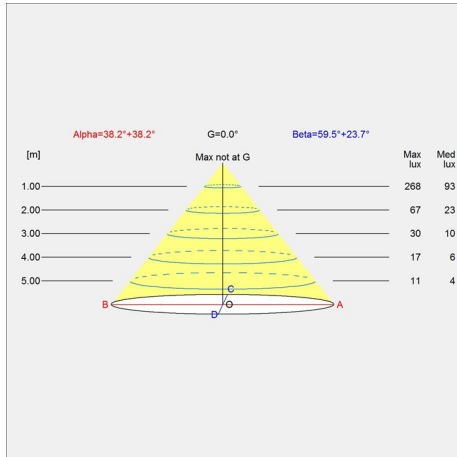
AJ Garden Bollard



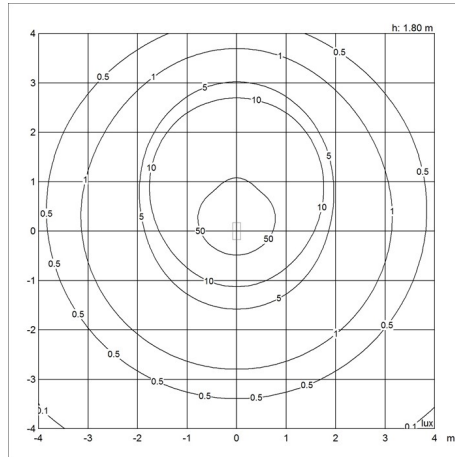
AJ Oxford Table Lamp

# Light distribution diagrams

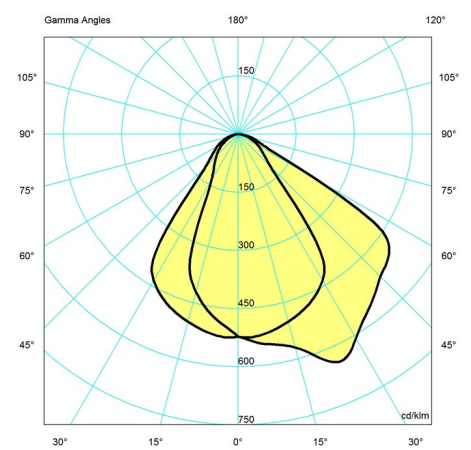
Cartesian



Isolux



Polar



## Spare parts & accessories

Product

GRUB SCREW MS M12X12 (3PCS)

Variant number

5743145887

## Data specifications

Colour	<b>Black texture</b>	Length	<b>160</b>
Width	<b>349</b>	Height	<b>248</b>
IP class	<b>65</b>	IK class	<b>06</b>
Class	<b>I</b>	Net Weight	<b>1.9</b>
Wind Load (m2)	-	Standby (W)	-
Power Factor (P = 100 % / P = 50 %)	<b>0.99 / -</b>	Inrush Current	-
Light source	<b>LED 3000K 7.6W</b>	Kelvin	<b>3000</b>
CRI	<b>90</b>	SDCM	<b>3</b>

Lumen	<b>428</b>
Efficacy	<b>56</b>
Min. Dim Level (%)	-
BUG Rating	<b>B0 U0 G0</b>
Driver life	-

Watt	<b>7.6</b>
Light control	-
Surge Protection	-
L80B50 (hours)	<b>&gt;50.000</b>