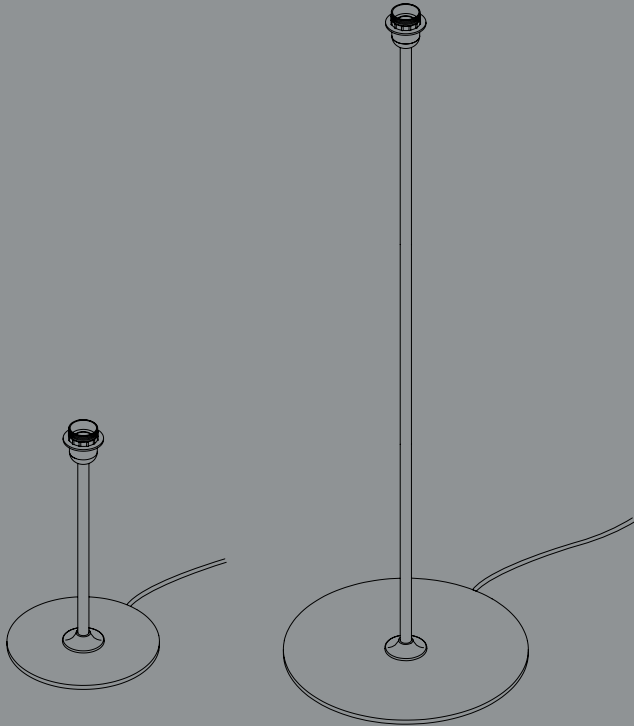


# COMMON LAMP BASE COLLECTION



DESIGN BY HAY

# HAY



- GENERAL INFORMATION -

TECHNICAL DATA

This product is fitted with an E27 (EU) or an E26 (US) bulb fitting. HAY recommends using this product with LED bulbs.

FITTING TYPE | E27 (EU) or E26 (US)

POWER (W) | 8-15 W

COLOUR TEMPERATURE | 3000K. Warm White.

HAY will not accept any responsibility for any accidents, injuries or damages that occur due to the use of incorrect bulbs.

ATTENTION

Ensure that the power supply to the circuit has clearly been turned OFF before installing the product. In some countries, electrical installation must be carried out by authorised electricians/contractors; please check with your local authority for guidance.

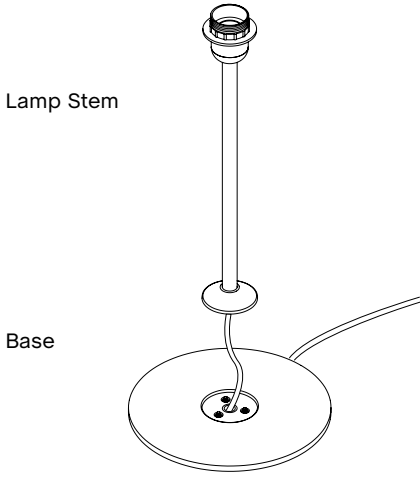
The product must not be modified in any way. HAY accepts no responsibility for any products that have been modified or tampered with. The external flexible cable or cord of this luminaire cannot be replaced. If the cord is damaged, the luminaire should be destroyed. This lamp is designed for indoor use only.

CARE AND MAINTENANCE

The product can be cleaned with a soft damp cloth and mild detergent, or a dry microfibre cloth. Do not use alcohol or any other solvents to clean the product and avoid using abrasive or rough sponges. Ensure that the power supply has been turned OFF before cleaning the product.



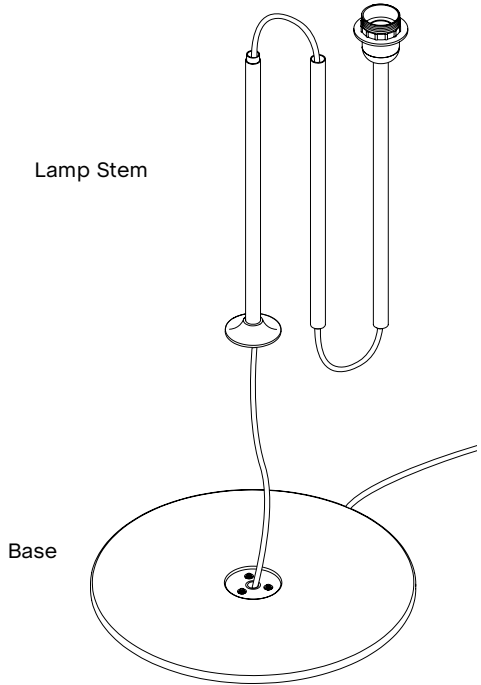
- PARTS -



Lamp Stem

Base

Table version



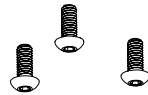
Lamp Stem

Base

Floor version



Allen key for assembly



Screws



EU Plug



US Plug



UK converter

1.

Unpack all the parts and check that you have received all the parts listed.  
Carefully unpack the lamp stem and base with the cable inside.

For the floor version, place the three stem parts on a flat surface and align them so you can assemble the stem. Begin with the top part and turn it clockwise until it is screwed tight. Repeat with the next part until stem is fully assembled.



2.

For both versions place the stem on the base taking care to align the three guides underneath the stem with the corresponding holes on the base.

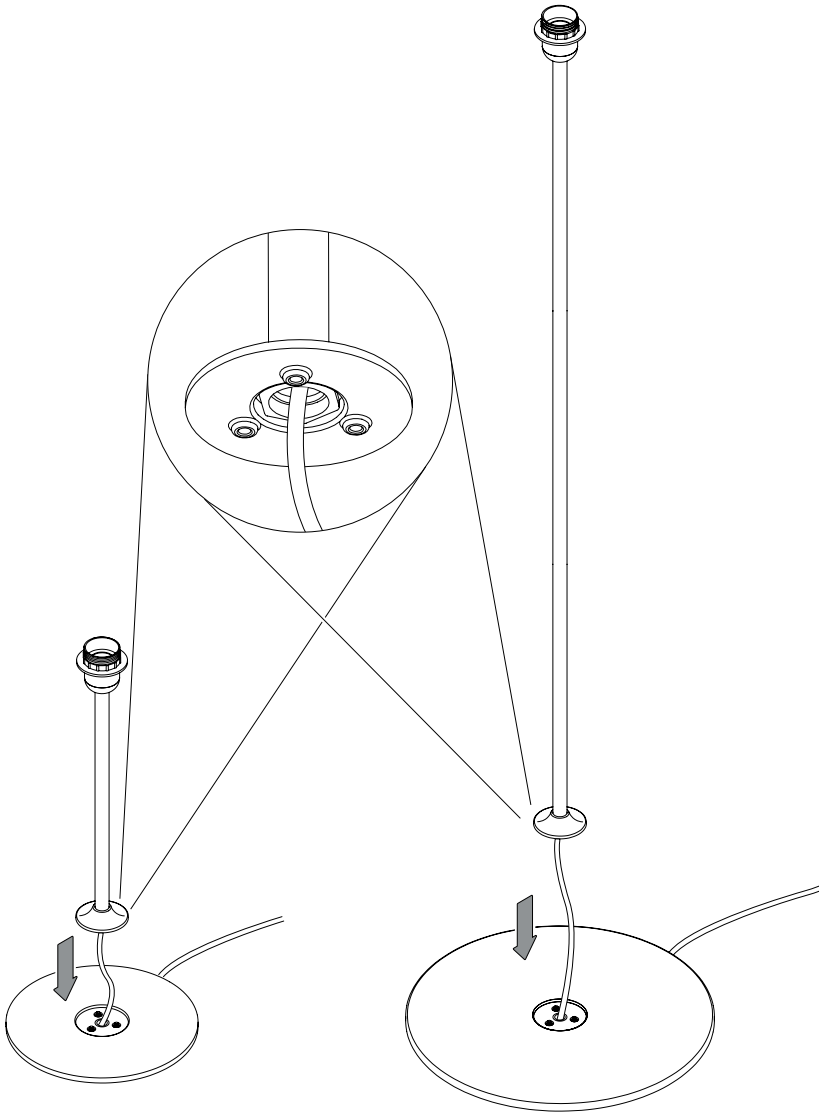
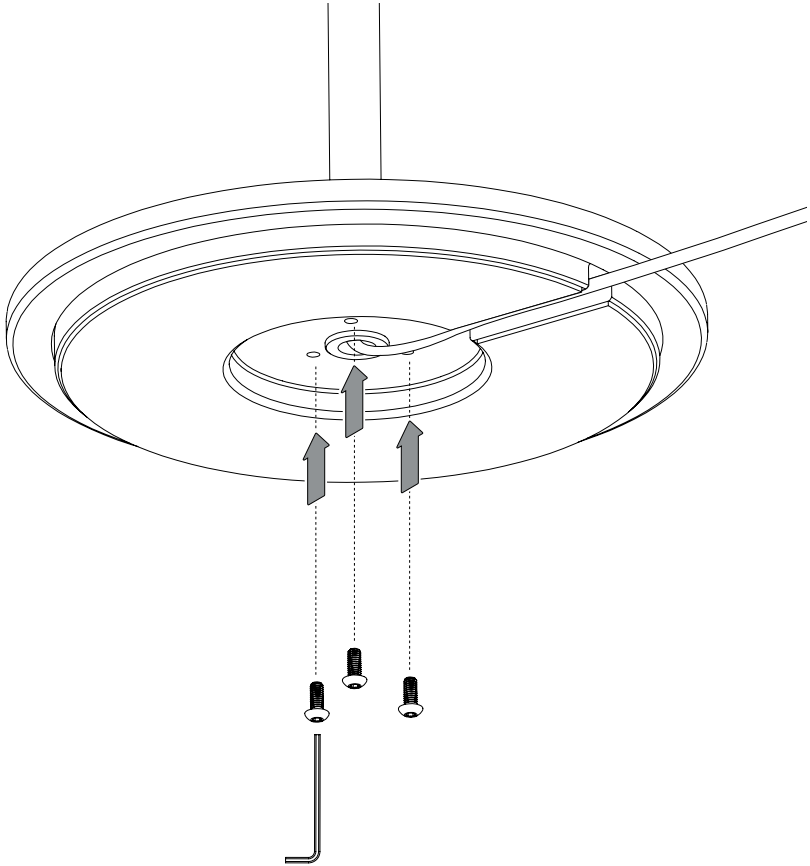


Table version

Floor version

3.

Fasten the lamp stem to the base with the three included screws, using the Allen key. Make sure to tighten the screws properly to prevent the lamp stem from rattling.



4.

Flip the lamp over and make sure the cable exits through the opening.  
Please visit the HAY website to see our selection of accompanying shades.

If you choose to use another shade, please make sure it stays within:

Min. weight: 0.5 kg | Dimensions: D300 x H220 mm | D12" x H8.5"

Max. weight: 1.5 kg | Dimensions: D500 x H500 mm | D19.5" x H19.5"

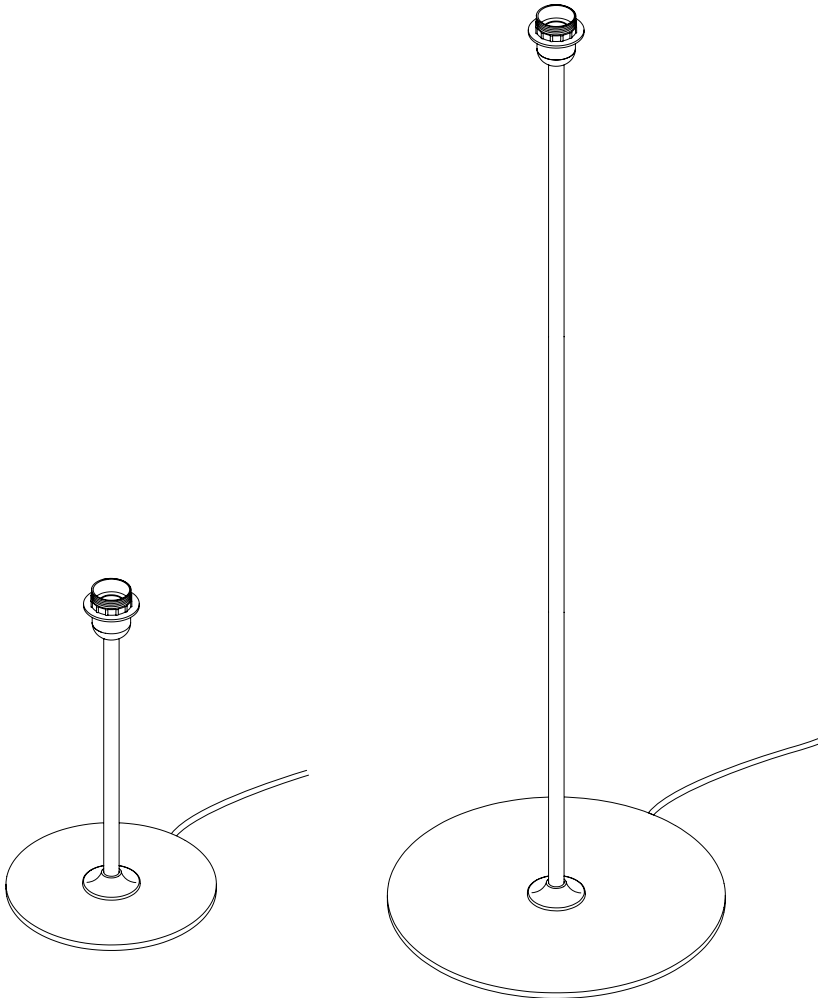


Table version

Floor version

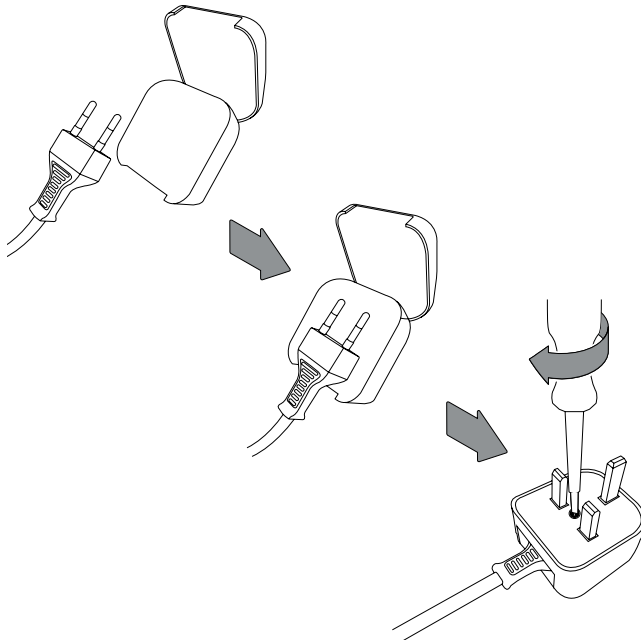


- UK CUSTOMERS ONLY -

Please note that for UK customers, the lamp will come supplied with a pre-mounted UK converter. The UK converter will be mounted over the existing EU plug, so the lamp is compatible and ready for use with UK sockets.

If not pre-mounted, please follow the below instruction.

Insert the EU plug into the converter provided. Close the converter over the EU plug with the pins secured in the internal spring clip contacts. Screw the converter together to ensure the UK plug is secure.



- CARE & MAINTENANCE -

Our Care & Maintenance offers guidance for optimal maintenance of your HAY product. It includes advice and instructions on cleaning and caring for specific materials to prolong the life of your lighting.



Please find our Care & Maintenance guide by scanning the QR code



You can find more relevant information on Common Lamp Base Collection by scanning the QR code

You can also find the same information here [hay.dk/downloads](http://hay.dk/downloads)



Havnen 1 8700 Horsens Denmark  
+45 3164 6000 / hay@hay.com

[www.hay.com](http://www.hay.com)

12/01/2023

**HAY**