

ENIGMA 425

Enigma 425 - 5741088726

The fixture emits glare-free, soft, comfortable downward light. The shade design ensures even illumination of the surface. The matt upper surface diffuses the light, while the shiny lower surface ensures optimal reflection.



Shoichi Uchiyama

Shoichi Uchiyama was born and bred in Tokyo. Since the foundation of Shoichi Uchiyama Design Office in 1977, he has been committed to creation of lighting fixtures with glare-free indirect light that make objects beautiful, and allow people to feel the texture and depth of objects.



RealDania



VP

Product info

Mounting

Suspension type: Cable 2x0,75mm². Canopy: Yes. Cable length: 3m.

Finish

Brushed aluminium, clear coated or black wet painted. Shades: White or black acrylic.

Materials

Cone and pendant tube: Lacquered or wet painted brushed aluminium. Wire: Stainless steel. Shades: Acrylic.

Sizes and weights

Width x Height x Length (mm) | 422 x 740 x 422 Max 1.1 kg

Class

Ingress protection IP20. Electric shock protection II w/o ground.

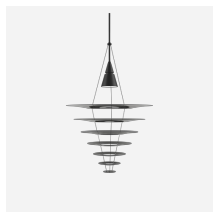
Light source

1x20W GU10

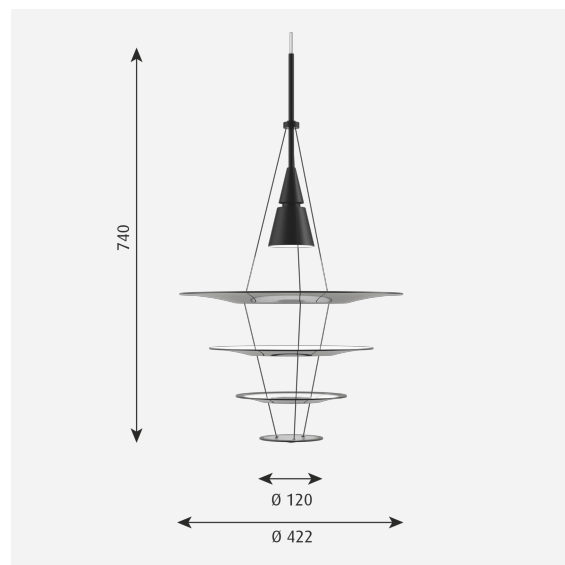
Related products



Enigma 545

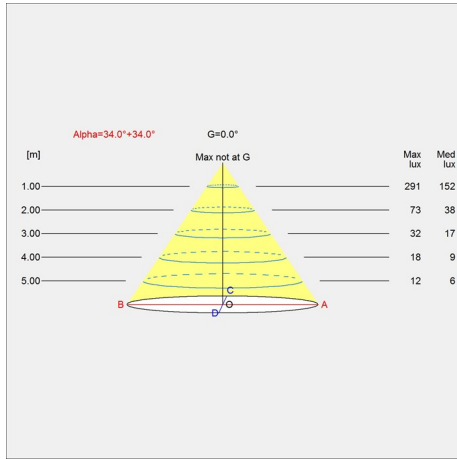


Enigma 825

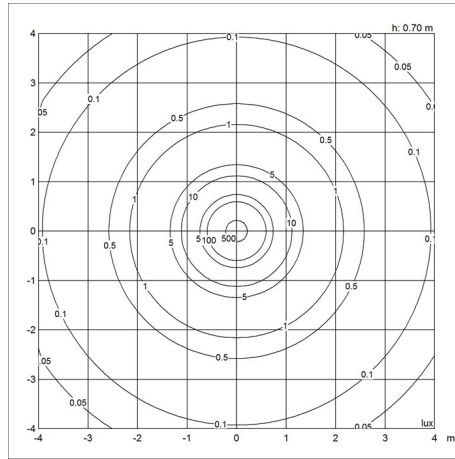


Light distribution diagrams

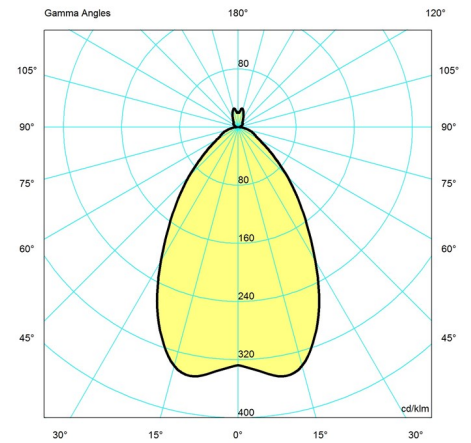
Cartesian



Isolux



Polar



Spare parts & accessories

Product	Variant number
Enigma Ø120 w/bush. white	5741086786
Enigma Ø210 white	5741086799
Enigma Ø310 white	5741086809
Enigma Ø422 white	5741086812
Enigma Ø545 white	5741087099
Enigma Ø120 w/bush. black	5741088878
Enigma Ø210 black	5741088881
Enigma Ø310 black	5741088894
Enigma Ø422 black	5741088904
Enigma Ø545 black	5741088917
Enigma Ø425 susp 3M cable w/socket black	5741088784
Enigma Ø425 susp 3M cable w/socket alu	5741088797
Enigma Ø545 susp 3M cable w/socket black	5741088807
Enigma Ø545 susp 3M cable w/socket alu	5741088810
Canopy White 2-part tophat ®	5749329034
Canopy Black 2-part tophat®	5749329021

Data specifications

Colour	Black	Length	422
--------	-------	--------	-----

Enigma 425

Width	422
Built-in Height	-
Class	II
Standby (W)	-
Inrush Current	-
Kelvin	-
SDCM	-
Watt	-
Light control	-
UGR Transversal / Axial	7.5/7.5
Driver life	-

Height	740
IP class	20
Net Weight	1.1
Power Factor (P = 100 % / P = 50 %)	-
Light source	1x20W GU10
CRI	-
Lumen	-
Efficacy	-
Min. Dim Level (%)	-
L80B50 (hours)	-