

BROKIS®



# IVY SINGLE

CM12145

PC1215, PC1216, PC1217



### COMPONENTS INCLUDED WITH UNIT:

- 1× spring-fit cover
- 1× fixture with power cable
- 1× glass shade
- 1× electronics
- 1× LED source
- 1× plastic cable stop
- 1× installation manual
- 1× pair cotton gloves

### WARNING:

**Installation must be carried out by a qualified electrician only.**

**Switch off power at main circuit panel prior to installation!**

**The manufacturer assumes no liability for damage occurring in transport or resulting from incorrect installation.**

**Installation time: 30 minutes / 1 person**



BROKIS®

BROKIS S.R.O.  
ŠPANILOVA 1315/25  
163 00 PRAHA 6 - ŘEPY  
CZECH REPUBLIC

ORG. ID 64940799  
VAT ID CZ64940799  
C 42174 MĚSTSKÝ SOUD  
V PRAZE

TEL +420 567 211 517  
TECHNICAL@BROKIS.CZ  
INFO@BROKIS.CZ  
WWW.BROKIS.CZ



### CLEANING THE GLASS

**BROKIS applies the highest possible quality standards in manufacturing its lights. Prior to shipping, each light undergoes several quality controls and stages of cleaning. Lights may require additional cleaning as a result of transportation, storage, and the amount of time that passes between packing in our plant and subsequent unpacking by the client. Therefore, we emphasize cleaning the lights prior to installation.**

**The glass must first be rinsed in hot water, with a dilution of a dish-detergent used to remove all foreign particles and dust. Eventually repeat this basic treatment, if necessary. Afterwards the glass must have a second cleaning using hot water, with a dilution of a de-greaser (such as ammonia or vinegar). The glass must then be thoroughly rinsed with running hot water. Eventually repeat this treatment, if necessary. The glass is then thoroughly dried with a paper towel or a clean soft cotton towel. Only re-assemble the glass to the lamp body, when completely cooled down.**

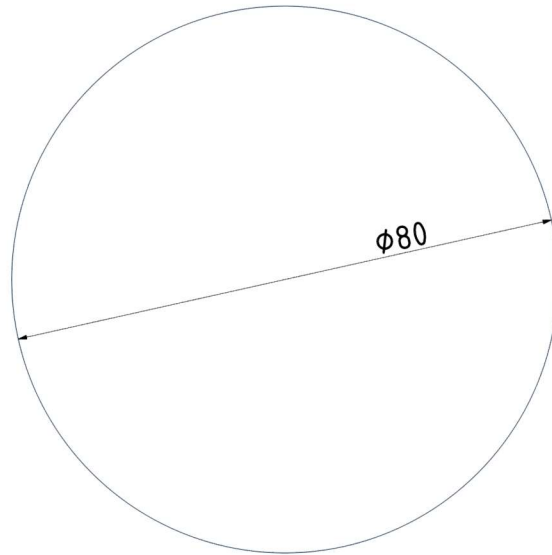
**Do not use mineral spirits, highly concentrated thinners, or other substances not intended for use on glass surfaces. Also: do not use products, containing silicones – since they will rapidly attract more dust and grease.**

**PRIOR TO SHIPPING, THE FUNCTIONALITY OF EACH LIGHT AND ITS COMPONENTS IS CHECKED THOROUGHLY. THE MANUFACTURER ASSUMES NO LIABILITY FOR THE MISHANDLING OF PRODUCTS.**



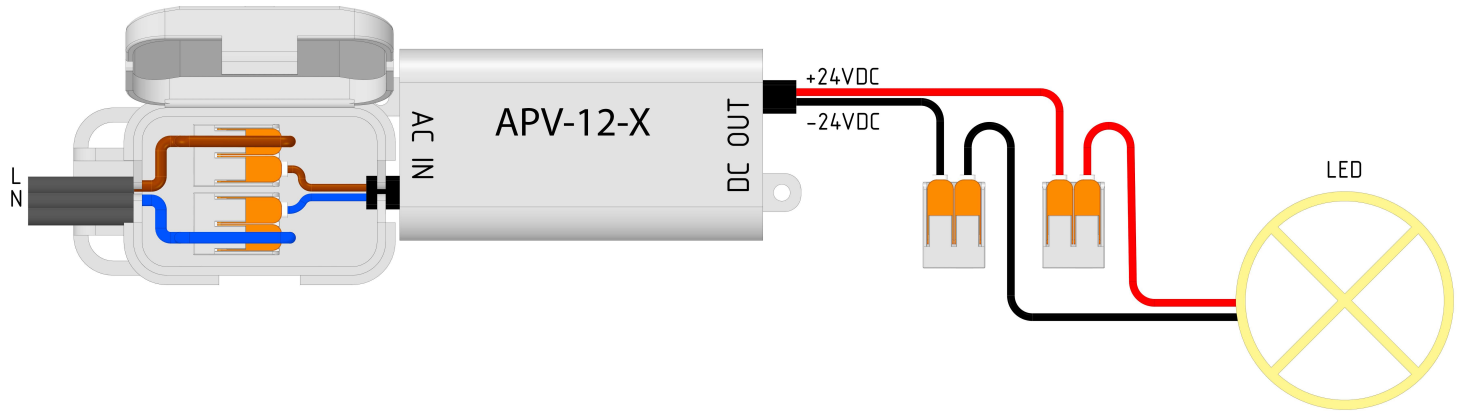
## 1. DRILLING THE OPENING

Cut out the opening in the ceiling using an 80mm hole saw. Consult with an expert on what type of hole saw to use depending on the ceiling material.



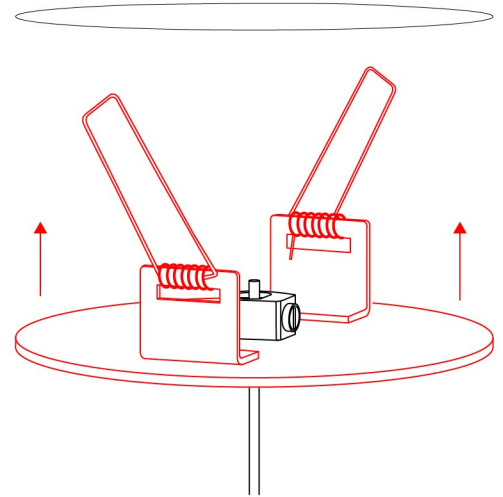
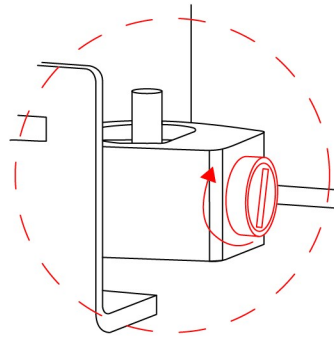
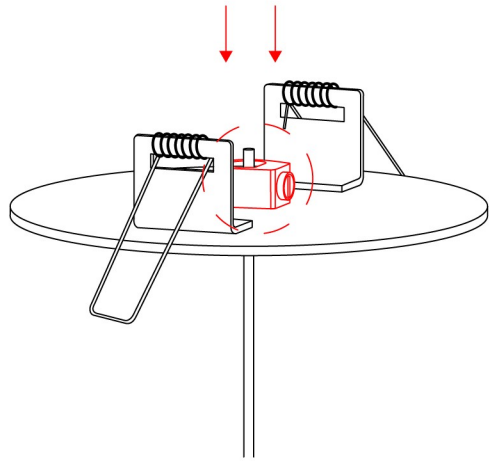
## 2. CONNECTING THE LIGHT TO THE BUILDING WIRING

Install a plastic stop on the power cable with cover. Insert the electronics with wiring in the opening and complete the connection according to the diagram.



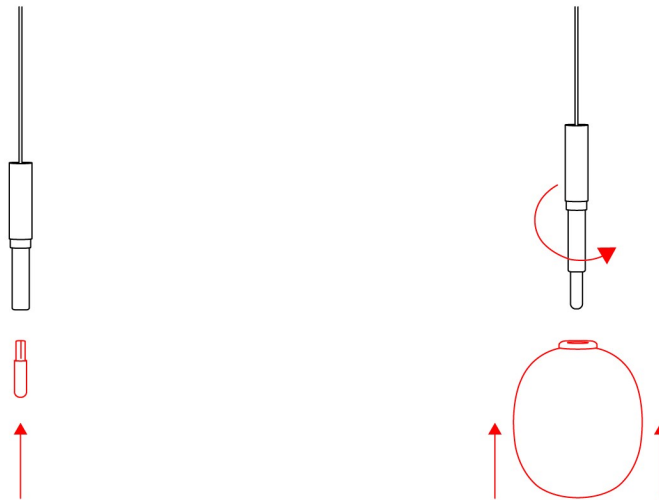
### 3. INSTALLING THE SPRING-FIT COVER

Adjust the length of the cable and secure in place with the set screw.  
Push the springs on the cover inwards and insert the cover in the opening.



#### 4. ASSEMBLING THE LIGHT

Install the supplied LED source in the socket and screw on the glass shade.



## 5. SWITCHING ON THE LIGHT

Restore power at the main circuit panel and verify that the light works properly.

