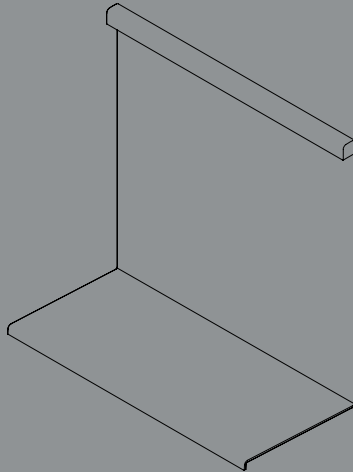


- INSTRUCTION MANUAL -

# LBM TABLE LAMP



DESIGN BY MOISÉS HERNÁNDEZ

**HAY**



#### TECHNICAL DATA

This product is supplied with an integrated LED module (3000K warm white, 300-350 lumens). The expected lifespan of the LED module is 25,000 hours, which equates to 8-10 years of general use. When the light source reaches its end of life, the whole luminaire should be replaced.

FITTING TYPE | Integrated LED

POWER (W) | 8 W

COLOUR TEMPERATURE | 3000K warm white

#### ATTENTION

Ensure that the power supply to the circuit has clearly been turned OFF before installing the product. In some countries, electrical installation must be carried out by authorised electricians/contractors; please check with your local authority for guidance.

The product must not be modified in any way. HAY accepts no responsibility for any products that have been modified or tampered with. The external flexible cable or cord of this luminaire cannot be replaced. If the cord is damaged, the luminaire should be replaced. The light source contained in this luminaire should be exclusively replaced by a qualified electrician in order to avoid an electrical hazard. This lamp is designed for indoor use only.

#### CARE AND MAINTENANCE

Do not use wet or damp cloths for cleaning and maintaining the shade. Please use a dry, lint-free cloth or duster to remove any dirt. The product can be cleaned with a soft damp cloth and mild detergent, or a dry microfibre cloth. Do not use alcohol or any other solvents to clean the product and avoid using abrasive or rough sponges. The external flexible cable or cord of this luminaire cannot be replaced; if the cord is damaged, the luminaire shall be destroyed. Ensure that the power supply has been turned OFF before cleaning the product.



- PARTS -

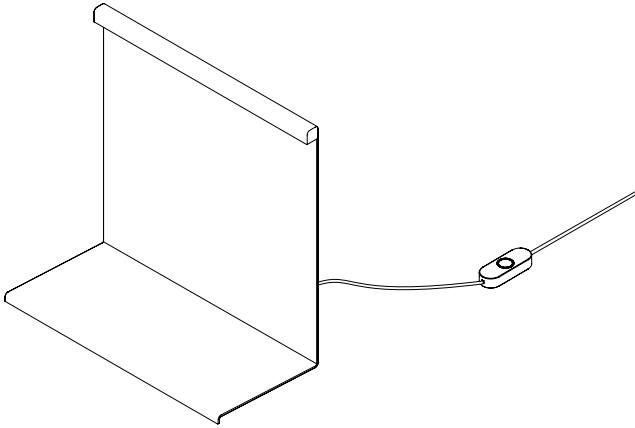
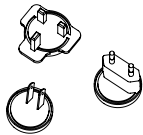
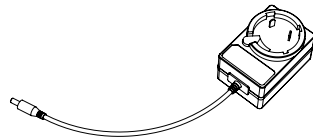


Table lamp



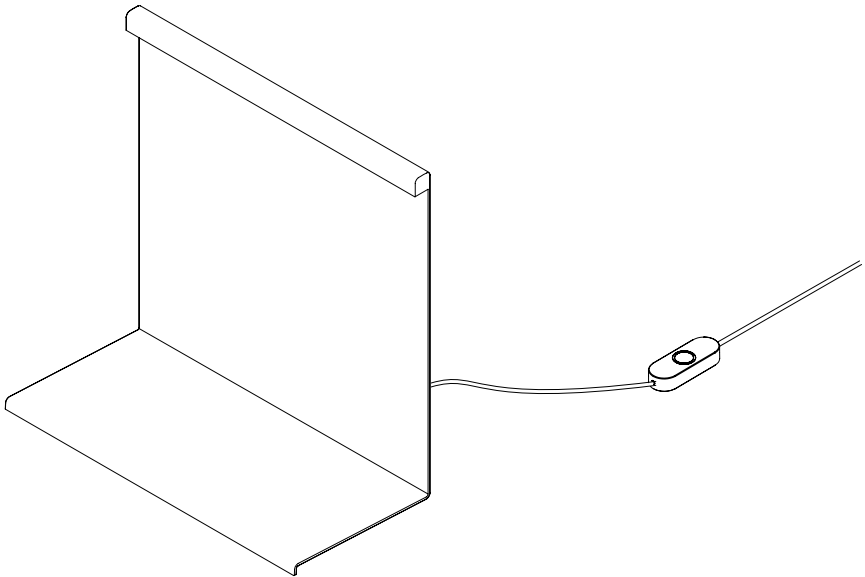
Adapter



Power supply

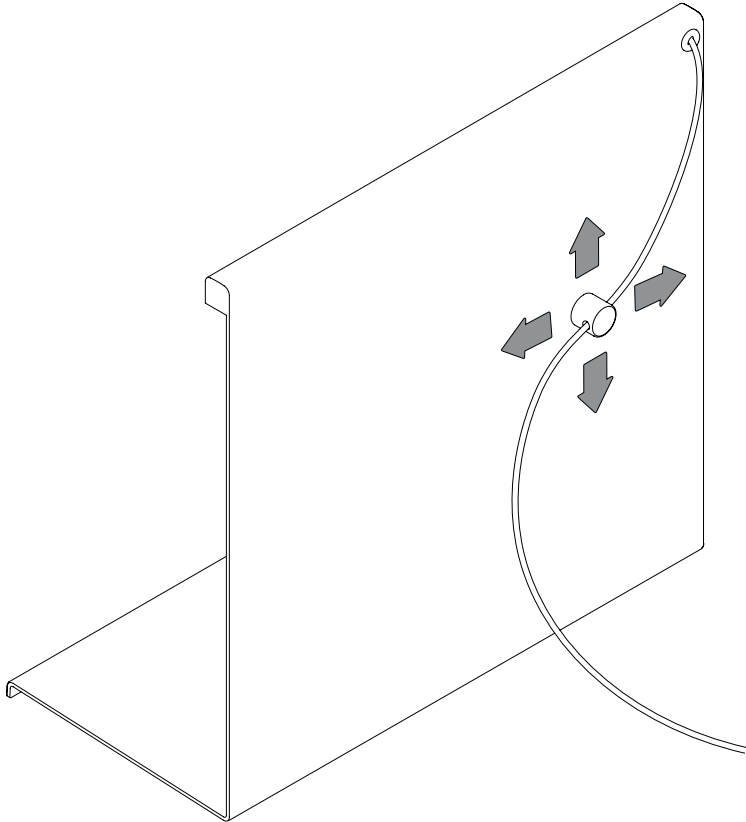
1.

Unpack the table lamp carefully from its packaging. There is no assembly required for this lamp.



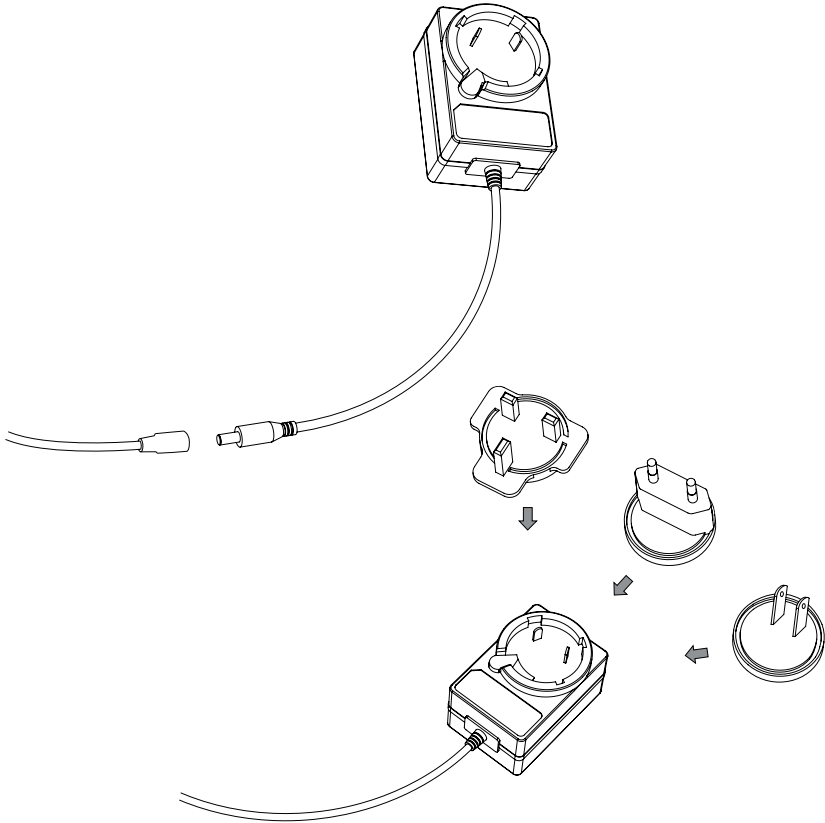
2.

Mounted on the back of the lamp is a magnetic cable management feature. This can be manually repositioned anywhere on the backside of the lamp, depending on how you would like the cable to trail away from the lamp.



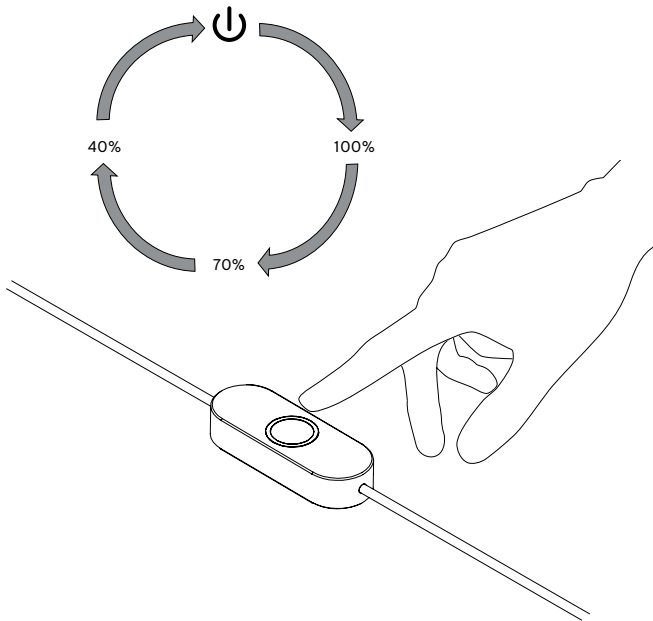
3.

Plug the trailing cable into the power supply. Attach the correct adapter for your region. The lamp is now ready to use.



4.

The lamp's inline switch has a three-step dimmable feature. First push sets the lamp to maximum brightness, second push to medium brightness and the third push to lowest brightness. Fourth push turns the lamp off.





- CARE & MAINTENANCE -

Our Care & Maintenance offers guidance for optimal maintenance of your HAY product. It includes advice and instructions on cleaning and caring for specific materials to prolong the life of your lighting.



Please find our Care & Maintenance guide by scanning the QR code



You can find more relevant information on LBM Table Lamp by scanning the QR code

You can also find the same information here  
[hay.dk/downloads](http://hay.dk/downloads)





Havnen 1 8700 Horsens Denmark  
+45 3164 6000 / hay@hay.com

[www.hay.com](http://www.hay.com)

10/01/2023

**HAY**