

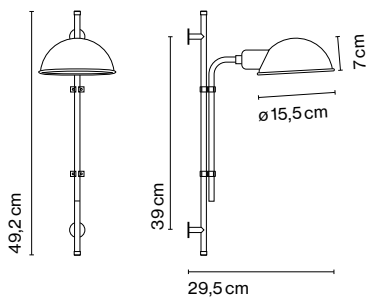


# **Funiculí** **Lluís Porqueras**

**marset**



**Funiculí A**



**Funiculí A**

- ⦿ E14 HSGSP/C/UB 46W
- 🔊 E14 LED 5W

Black fabric electrical cord

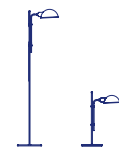
Stem and wall clip in lacquered iron. Shade made of lacquered aluminium.

- Moss grey (Ral 7003)
- Off-white (Ral 9001)
- Black (Ral 9005)
- Green (Ral 110 40 30)
- Terracotta (Ral 050 40 50)
- Mustard (Ral 075 60 70)



- [Download](#) Assembly Instructions
- [Download](#) 2D
- [Download](#) 3D
- [Download](#) Energy label

**Range**



**Watch the video**

[info@marset.com](mailto:info@marset.com)  
[www.marset.com](http://www.marset.com)

Funiculí is the re-edition of a lamp originally designed in 1979. Lluís Porqueras has always sought an absolute simplicity in his designs, doing away with everything superfluous to leave the essence of the useful, simple object.