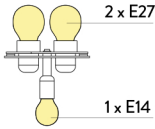
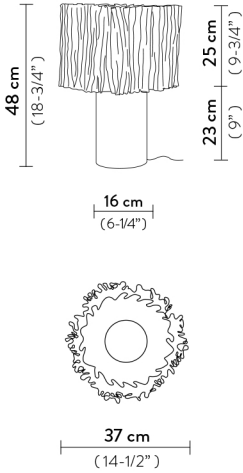


ACCORDÉON TABLE

by Marc Sadler

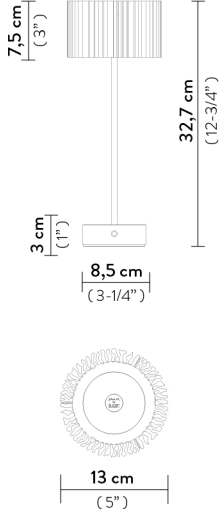
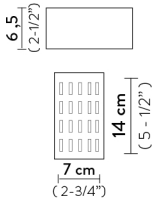
Compendium page 330

PRODUCT / PRODOTTO	DIMENSION / MISURE	COLOUR / COLORE	CODE / CODICE
<p>TABLE</p> <p>Bulbs E27 + E14:</p> <p>2 X 12W E27 LED</p> <p>+ 1 X 6W E14 LED</p> <p>With: Two position light switch Hand molded diffusor Magnetic System®</p> <p>Made of: Cristalflex® / Lentiflex®</p> <p>Weight: net Kg 2,6 - gross Kg 4,5</p> <p>Package: 61,5 x 46 x h 34,5 cm</p> 		<input type="checkbox"/> PRISMA	ACRTM00WHT00000000EU

ACCORDÉON BATTERY

by Marc Sadler

Compendium page 324

PRODUCT / PRODOTTO	DIMENSION / MISURE	COLOUR / COLORE	CODE / CODICE
<p>BATTERY TABLE</p> <p>LED: 1.3W dimmable - 150Lumen 2700 Kelvin - Rechargeable Li-ion Polymer Cell 3.7 Vdc 2500mAh Charge 5 Vdc 1A</p> <p>Battery duration: at max intensity around 6.5 hours duration, at min intensity around 60 hours duration</p> <p>White base version with white detail in the shade, Black base version with black detail in the shade.</p> <p>Made of: Lentiflex®, Anodized aluminium</p> <p>Weight: net Kg 0.46 - gross Kg 0.80</p> <p>Package: 19 x 17 x h. 48 cm</p>		<input type="checkbox"/> PRISMA/BRASS WITH WHITE BASE <input type="checkbox"/> PRISMA/BRASS WITH BLACK BASE	ACRT000PRW000BT000EU ACRT000PRB000BT000EU
<p>USB MULTICHARGER STATION 20 PORTS</p> <p>With: 20 USB, wire 1,50 m fan automatic heat dissipation</p> <p>Weight: net Kg 0,49 - gross Kg 0,53</p> <p>Package: 15,5 x 15,5 x h. 7 cm</p>			ACC00CHAP020__000