



1455/AN Toggle

design neil poulton, 2021



Toggle is made of die-cast aluminium painted in white, anthracite or light grey with a satin polycarbonate diffuser. LED light source and built-in power supply.

1455/AN toggle

family:	Toggle	Body Color:	<input checked="" type="radio"/> other available colors <input type="radio"/> <input type="radio"/>
Designers:	Neil Poulton	Body Materials:	aluminium
Utilization:	indoor		
Typology:	wall		
Certifications:			
Market:	This item is available in the following countries: EUROPE		

Dimensions

Width:	-
Height:	17,1 cm
Length:	-
Depth:	14,8
Diameter:	9,6 cm

Hole Diameter:	-
Hole Depth:	-
Net weight:	0,7 Kg

Light Source

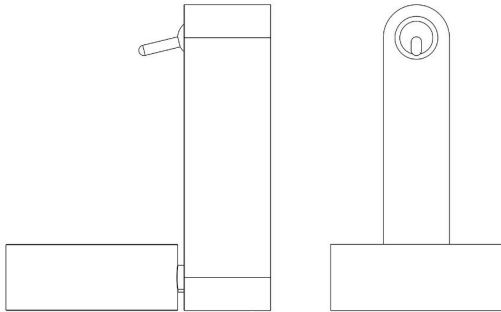
Watt:	4,5W
Lumen:	700 lm
Light Source:	led
CRI:	>80
duration:	50000
CCT:	2700K
Energy degree:	D

Device Specifications

Type of emission:	direct	Power cable length:	-	Driver:	-
Power:	-	Steel cable length:	-	Power supply assembly:	-
Light output:	-	Glow Wire Test:	-	Power supply:	-
Beam angle:	-	Impact Resistance:	-	Type of dimming:	-
				Voltage:	230V



technical drawing

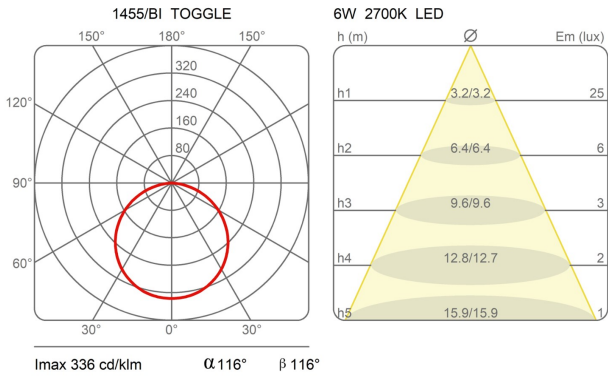


Dimensions

Width: -
Height: 17,1 cm
Length: -
Depth: 14,8
Diameter: 9,6 cm

Hole Diameter: -
Hole Depth: -
Net weight: 0,7 Kg

photometrics data





Toggle 1455/AN
design neil poulton, 2021

