



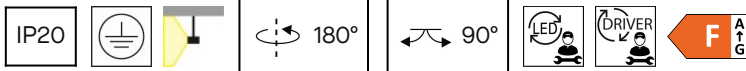
Prolix Single

Nahtrang Studio

Spotlight Prolix Single 7.6 LED warm-white 2700K CRI 90 PHASE CUT Black 217lm

Technical features

- Luminaire total power: 7.6W
- Real lumens: 217
- Real lm/W: 29
- Correlated Colour Temperature (CCT): LED warm-white 2700K
- Lens / reflector angle: FLOOD 48°
- UGR: <=16
- Structure material: Aluminium
- Structure finish: Black
- Diffuser material: Methacrylate
- Diffuser finish: Transparent
- Driver Brand: HEP
- Voltage / frequency: 220-240V/50-60Hz
- Dimming protocol: PHASE CUT
- Power Factor: 0.96
- Useful life: 50,000h L80B20
- Warranty: 5 años



Luminotechnic features

- TM30 RG: 100
- TM30 RF: 91
- Melanopic ratio: 0.511
- CRI: 90
- MacAdam steps: 3
- Photobiological risk: RG2
- UGR crosswise: 5.6
- UGR lengthwise: 5.6

Lampholder	Quantity	Light source power (W)	Correlated Colour Temperature (CCT)
LED	1	5.9W	LED warm-white 2700K

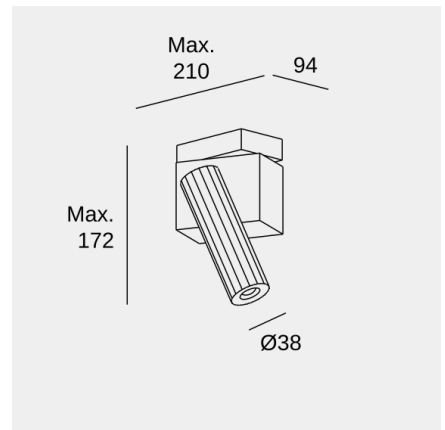


Image may not match reference. LedsC4 reserves the right to amend any of the product's components. The data related to flux, power and colour temperature may be subject to changes made by the manufacturer.

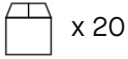


Prolix Single

Nahtrang Studio

Spotlight Prolix Single 7.6 LED warm-white 2700K CRI 90 PHASE CUT Black 217lm

Logistics



x 20

Net weight (kg): 0.62

Packaged weight (kg): 0.79

Packaging: 210mm x 125mm x 110mm

Image may not match reference. LedsC4 reserves the right to amend any of the product's components. The data related to flux, power and colour temperature may be subject to changes made by the manufacturer.