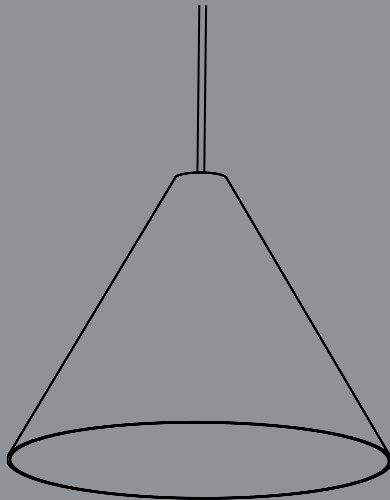


- INSTRUCTION MANUAL -

# 30 DEGREES SHADE



DESIGN BY JOHAN VAN HENGEL

**HAY**



## - GENERAL INFORMATION -

### TECHNICAL DATA

This product is designed to be used in conjunction with the HAY Cord Set or a similar cord set. HAY recommends using this product with a LED bulb.

FITTING TYPE | LED E27 (EU) or E26 (US)

POWER (W) | 5-15W

COLOUR TEMPERATURE | Warm white

HAY will not accept any responsibility for any accidents or injuries that occur due to the use of incorrect bulbs.

### ATTENTION

Ensure that the power supply to the circuit has been turned OFF before installing the product. In some countries, electrical installations must be carried out by an authorised electrician/contractor; please check with your local authority for guidance.

The product must not be modified in any way. HAY accepts no responsibility for any products that have been modified or tampered with. This lamp is designed for indoor use only.

NOTE | The cord set for the lamp is sold separately and are not supplied with a bulb. If you are using this shade in conjunction with the HAY Cord Set, please follow the instructions that have been provided with it for safe installation.

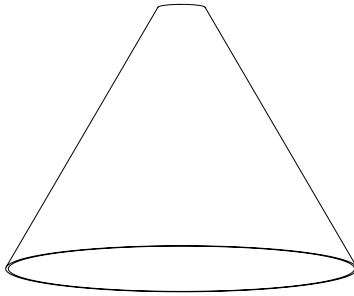
- The 30 Degrees Shade is designed to be used with LED based light sources only.

### CARE AND MAINTENANCE

The product can be cleaned with a soft damp cloth and mild detergent, or a dry microfibre cloth. Do not use alcohol or any other solvents to clean the product and avoid using abrasive or rough sponges. Ensure that the power supply has been turned OFF before cleaning the product.



- PARTS -



Shade

NB: Size may differ from the picture above.



Plastic Conical Insert



Plastic Shade Support



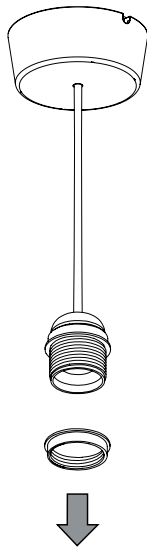
Cord Set (not included)



LED Bulb (not included)

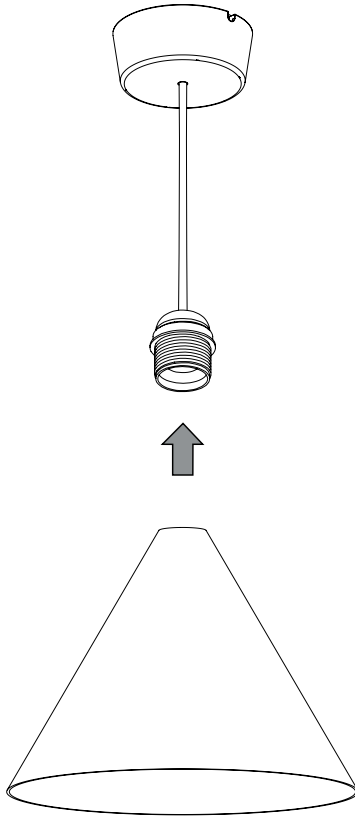
1.

Unpack all the parts and check that you have received all the parts listed. Unscrew and remove the lower shade ring from the bulb holder.



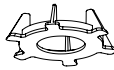
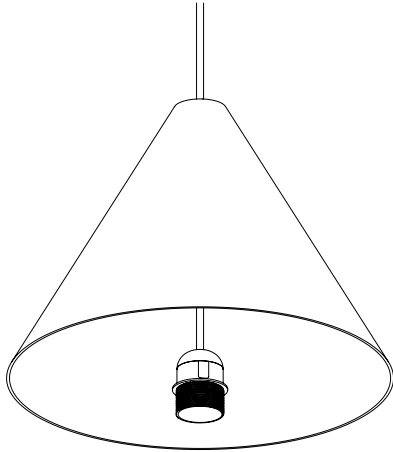
2.

Place the shade over the bulb holder.



3.

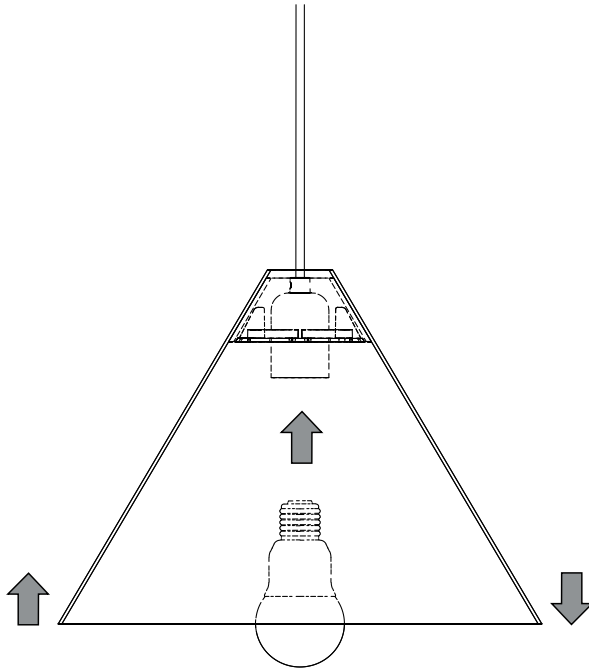
Place the plastic shade support on the bulb holder and replace the lower shade ring to fix it in place. The plastic conical insert that the shade support connects with stops the shade from being dislodged during use for e.g. cleaning.



4.

Screw a LED light bulb into the bulb holder. Ensure the electricity is switched off before fitting the bulb to avoid damaging it.

Place the shade over the bulb holder, ensuring it is parallel to the floor.





Our Care & Maintenance offers guidance for optimal maintenance of your HAY product. It includes advice and instructions on cleaning and caring for specific materials to prolong the life of your lighting.



Please find our Care & Maintenance guide by scanning the QR code



You can find more relevant information on 30 Degrees Shade by scanning the QR code

You can also find the same information here  
[hay.dk/downloads](http://hay.dk/downloads)





Havnen 1 8700 Horsens Denmark  
+45 3164 6000 / hay@hay.com

[www.hay.com](http://www.hay.com)

14/10/2021

**HAY**