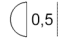
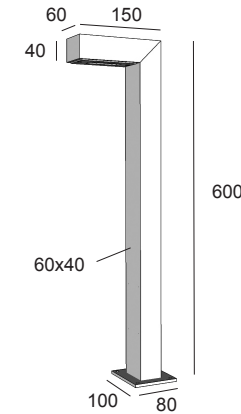


# Indy

last update 13/09/2015

BEL1164

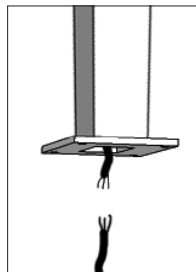
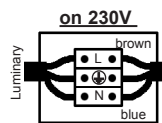
Indy : code 8066\_1\_ \_ 9,5W - 230V~ - CE - IP65 - IK09 -  -  - 



## INSTALLATION INSTRUCTIONS - PART A

1. MAKE THE ELECTRICAL CONNECTION
2. PLACE THE LUMINARY
3. SWITCH ON

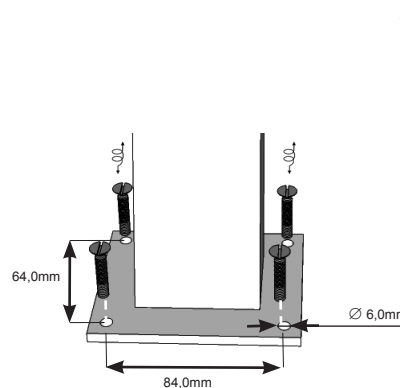
### 1 ELECTRICAL CONNECTION



use a jonction box minimum IP65  
(delivered separately)

use CONNEX 2 - Box IP68 - code X082

### 2 GROUND FIXATION - DIMENSION HOLES



\*do not use version rusty iron on tiling, paving, wood, ...

  
**BEL LIGHTING**

BEL LIGHTING sprl  
Avenue Ernest Solvay 42  
B-1480 Saintes (Tubize)  
Belgium  
Phone: +32(0)2 3552428  
Fax: +32(0)2 3550396  
e-mail: info@bel-lighting.com  
www.bel-lighting.com

## PART

# A

Lees de algemene gebruiksvoorwaarden : PART B  
Lire attentivement les conditions generales d'utilisation: PART B  
Read attentively the general instructions: PART B  
Lesen Sie die algemeinen Gebrauchsanweisungen: PART B  
Διαβάστε της γενικές οδηγίες : PART B

WAARSCHUWING  
AVERTISSEMENT  
WARNING  
WARNUNG  
ΠΡΟΣΟΧΗ