



CARE INSTRUCTIONS

Wipe the parts with a damp cloth soaked in warm water and a bit of mild detergent. Use only soft cloth for wiping and polishing, never sponges or steel wool. Do not use abrasive household cleaners. Do not use acidic or alkaline cleaning materials, glass cleaner or household ammonia.

TROUBLESHOOTING

If lamp does not light, turn off the power. Check the bulb for a broken filament. Replace bulb if necessary, then turn it on. If the lamp still does not light, please contact customer service at the local dealer.

TECHNICAL INFORMATION

Recommended light source :
E27 Tubular (type) T30 or T9 Max length 250mm, max 60W. Turn power off when changing light bulb. Isolation class II. The lamp is not approved for outdoor use or use in damp/wet rooms (IP20)



For enquiries contact GUBI A/S - CVR: 17940384
Klubiensvej 7-9, 2150 Nordhavn, Copenhagen, Denmark
T +45 69 15 60 60 – salesupport@gubi.dk
GUBI.COM

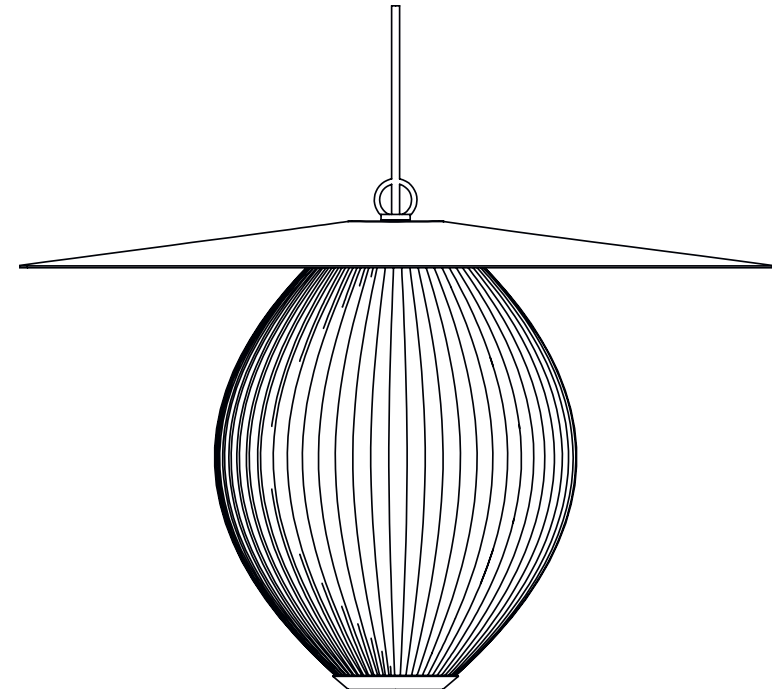
51-20-030-02 Assembly Instructions Satellite Pendant EU.

GUBI

ASSEMBLY INSTRUCTIONS

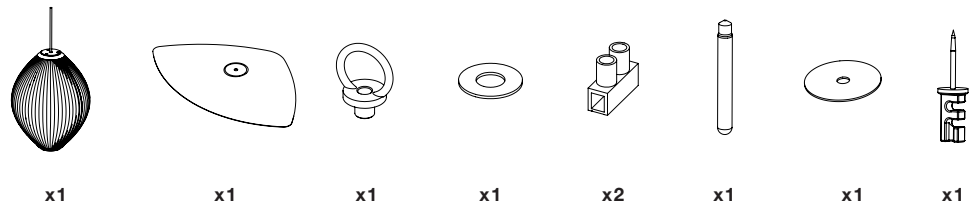
for

SATELLITE PENDANT



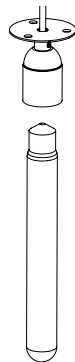
CONTENTS.

SATELLITE PENDANT



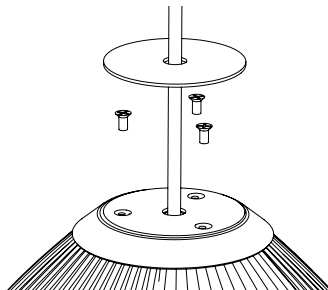
1.

Put the light bulb in the socket. Place on top of the lantern.



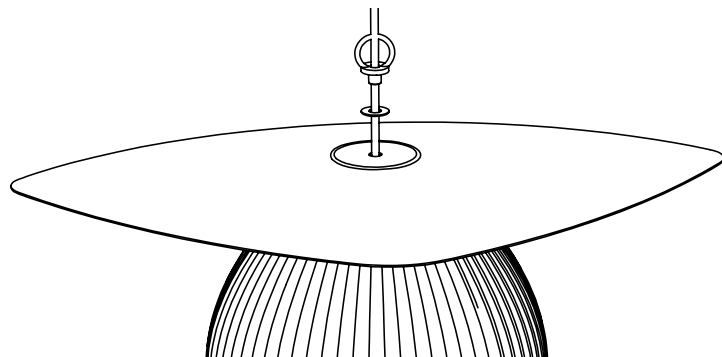
2.

Screw the wire set into the lantern and place the large rubber disk on top.



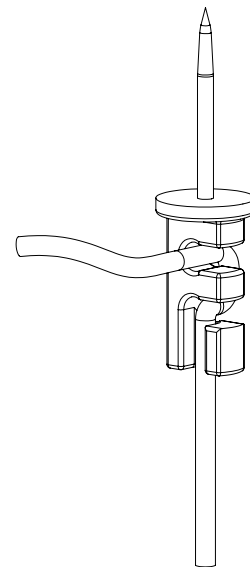
3.

Put the top hat on the lantern and screw the top hanger with the rubber disc through the hat and into the lantern.



4.

Mount lamp to the ceiling using a hook.



5.

Connect the lamp wires to the supply wires.

