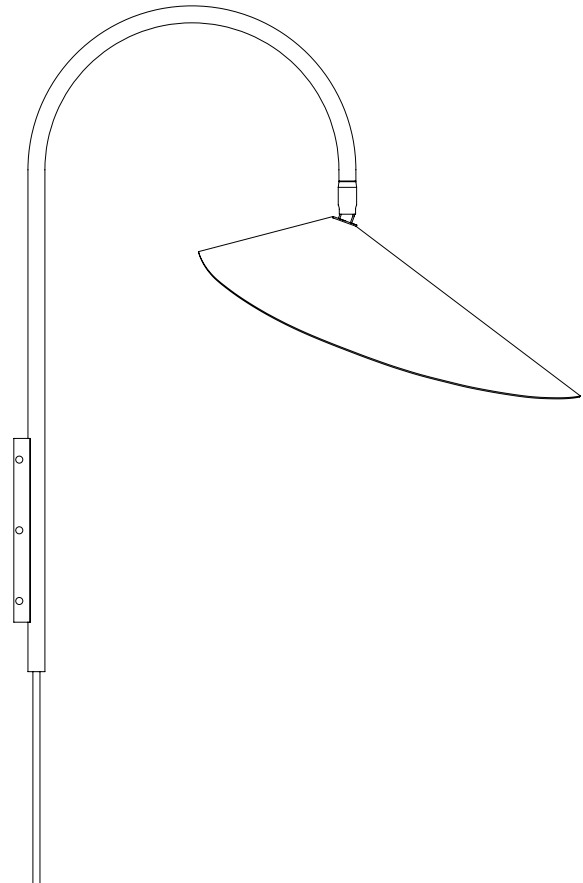


ARUM WALL LAMP

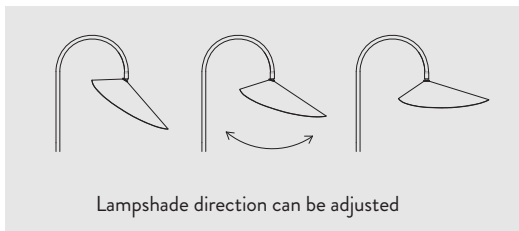
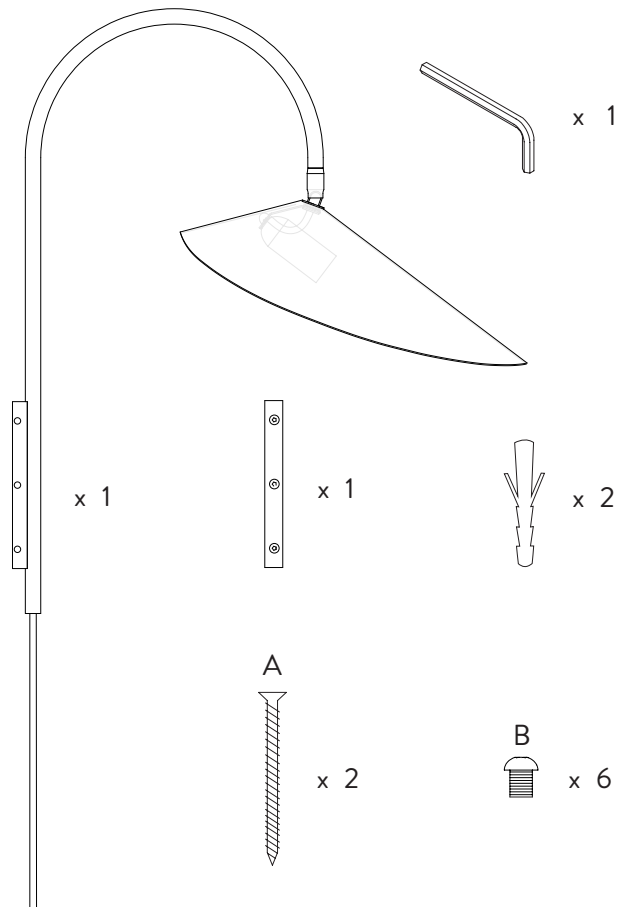
ASSEMBLY MANUAL - 100134101 & 110169693

fermliving.com

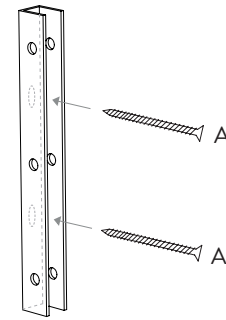


ferm
L I V I N G

CONTENT OF THE BOX



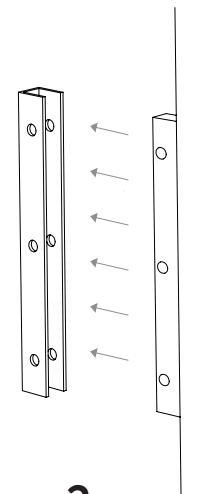
ASSEMBLY PROCESS



1

MOUNT BASE TO WALL

Choose the preferred position on the wall and start by drilling 2 holes and inserting the 2 rawplugs. Mount the base to the wall by using the 2 longer screws (A)



2

INSERT LAMP ON BASE

Slide the box on the backside of the cylinder into the base

