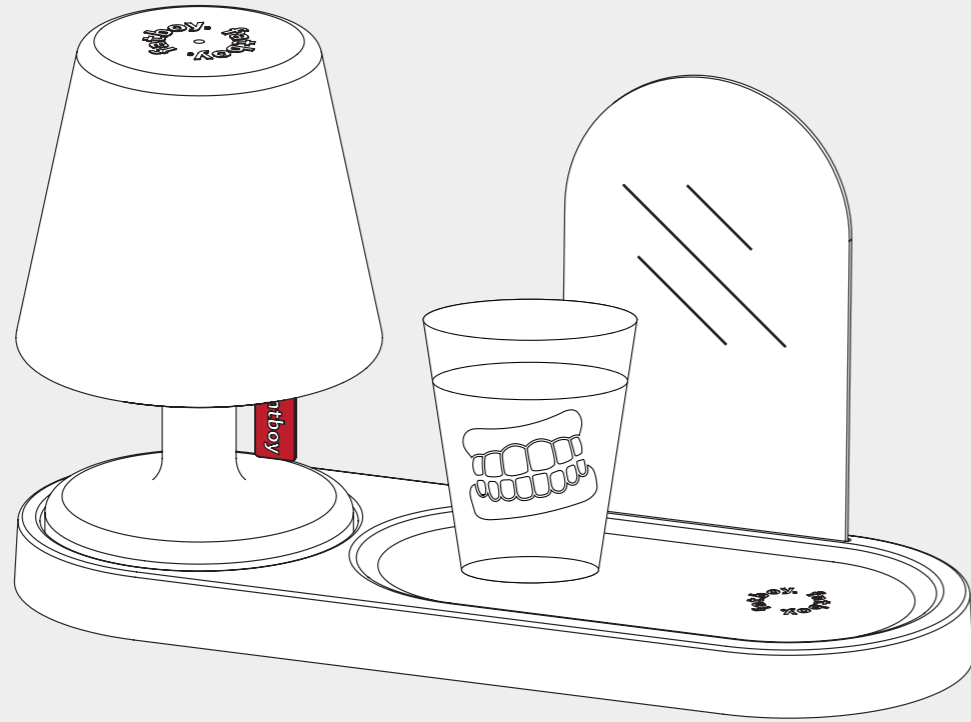
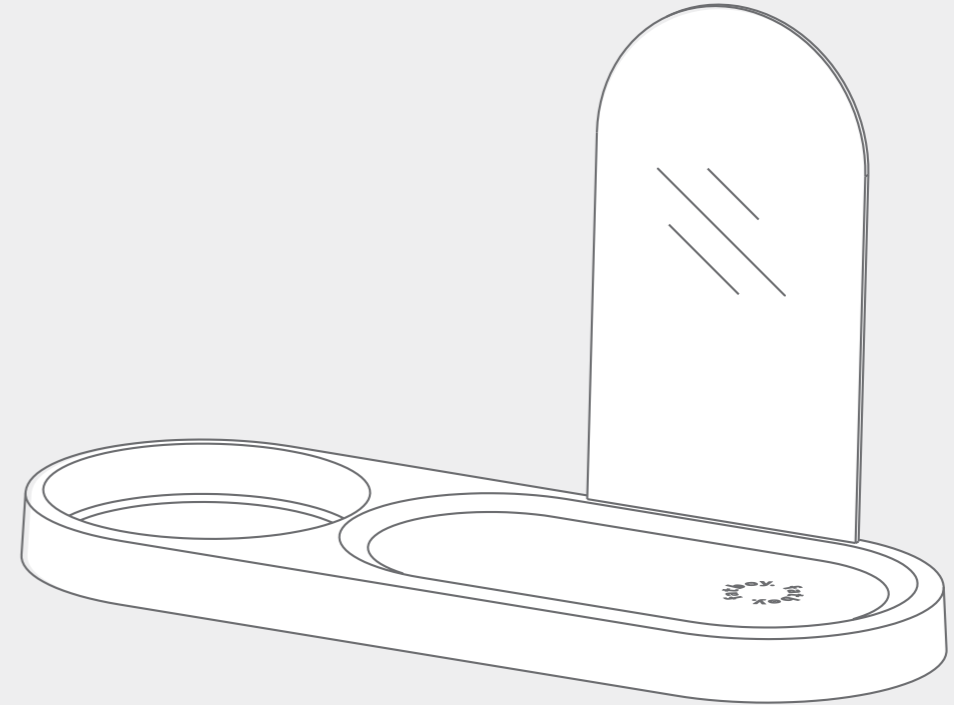


5.1



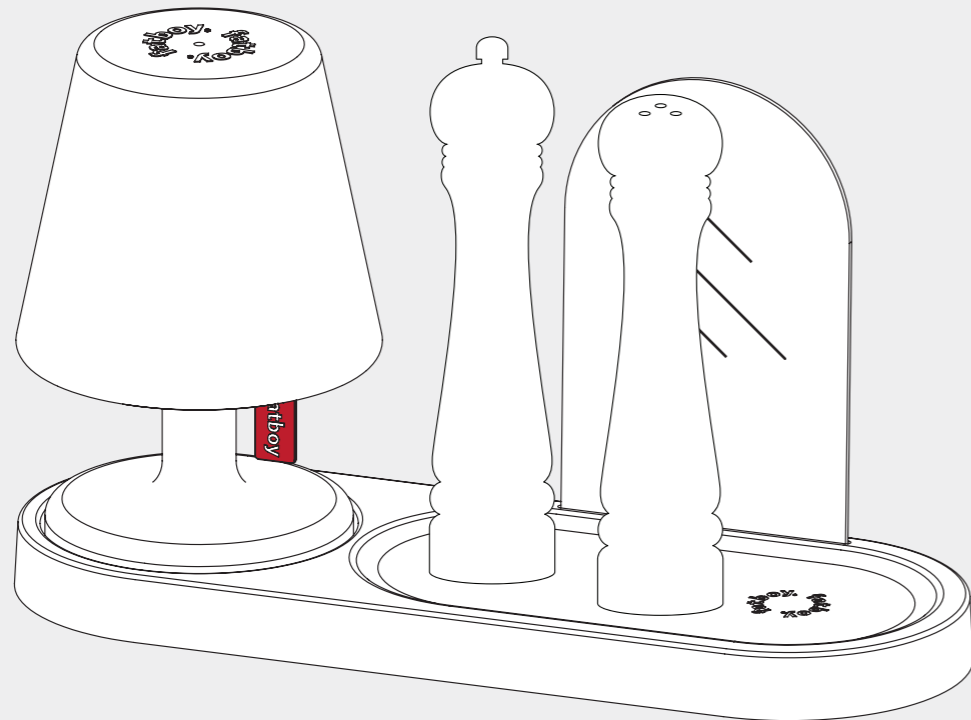
Edison the Petit Residence possibilities

## EDISON THE PETIT RESIDENCE



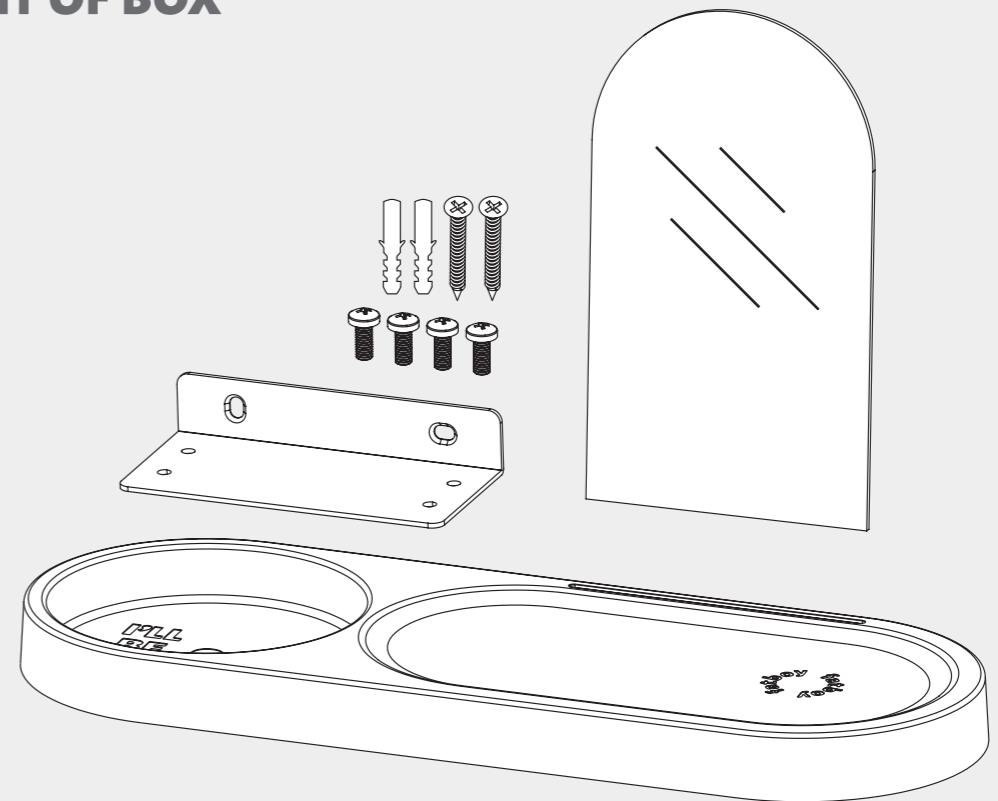
EN Manual  
 FR Manuel  
 DE Handbuch  
 ES Manual

5.2



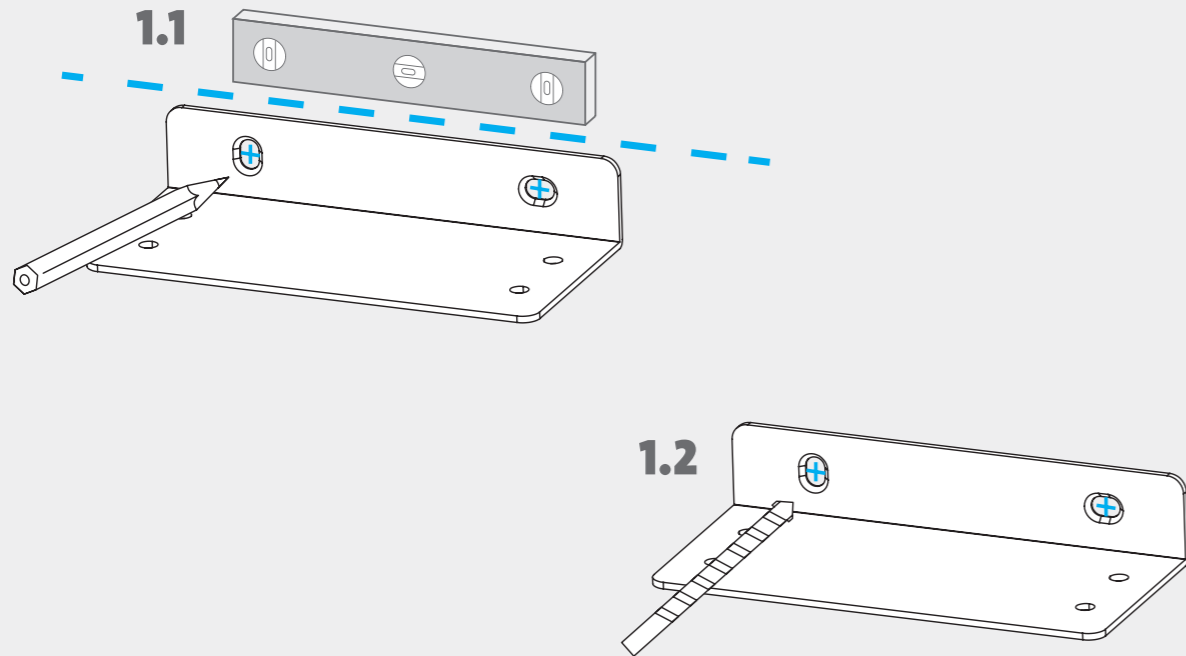
Edison the Petit Residence possibilities

## CONTENT OF BOX



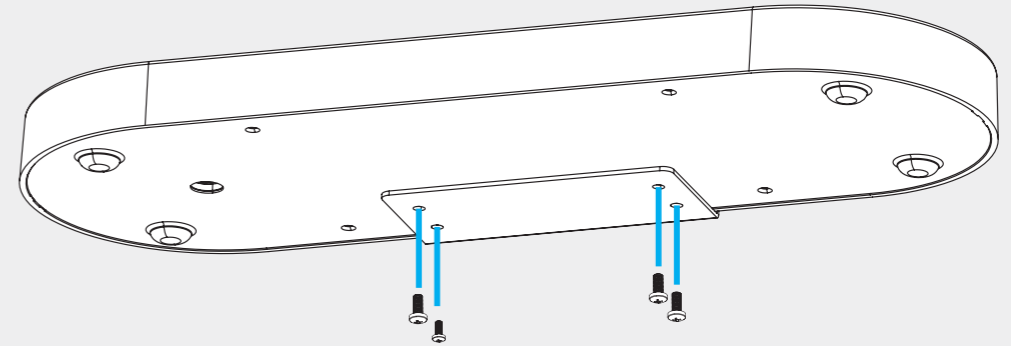
1 Tray  
 1 Wall mount  
 4 Bolts  
 2 Screws  
 2 Plugs  
 1 Mirror

1



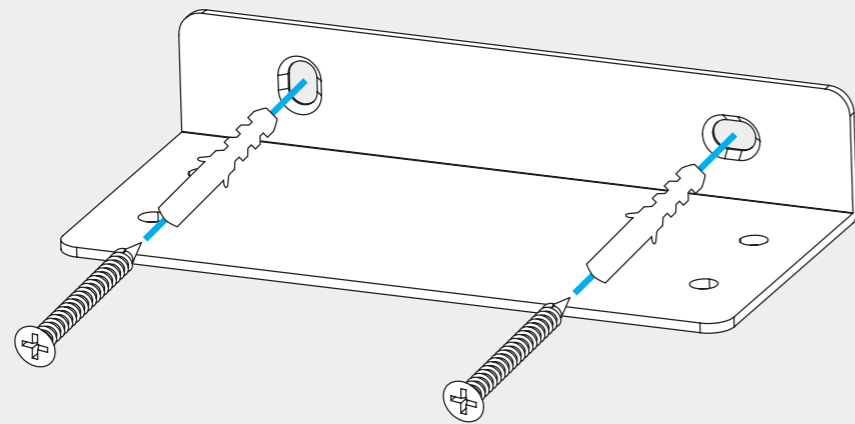
Level the wallmount, drill holes

3



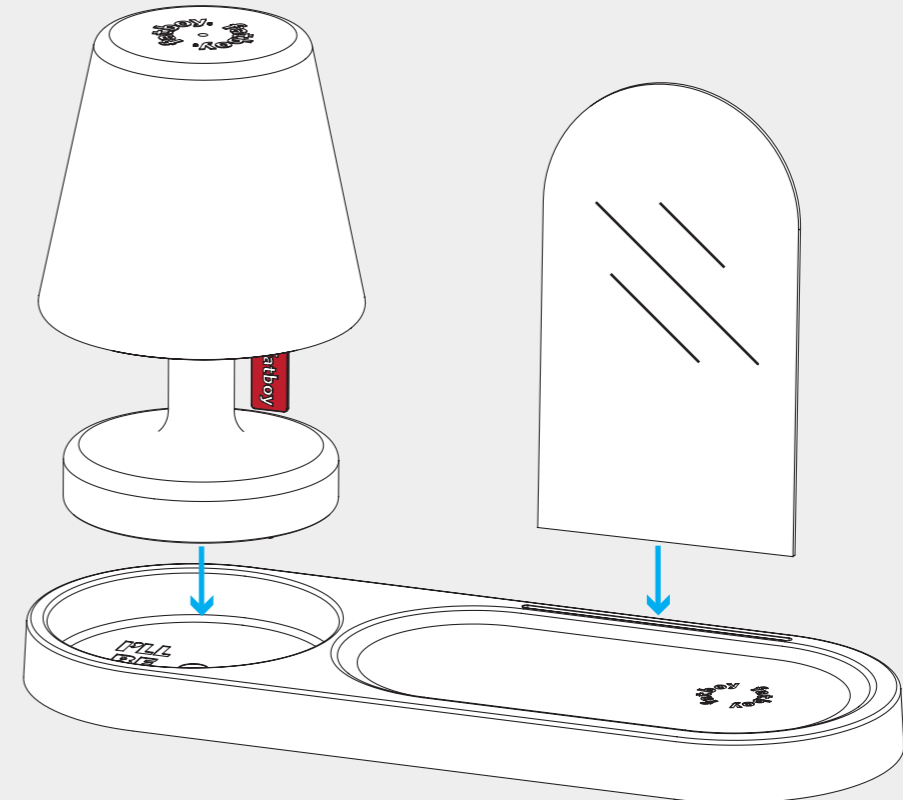
Lock tray using 4 screws

2



Screw to wall

4



Place Edison the Petit and mirror into the tray