

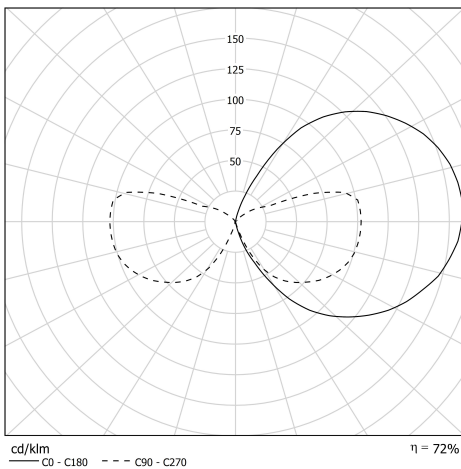
Description



- QUADRATUBE collection (design Jean Michel Wilmotte)
- W2 (Serie S) wall light with reflector
- made of brushed silver anodised aluminium
- Crystal quality PMMA body with a rectangular 86 x 57 mm section
- Fixing structure and black lacquered metal end caps (RAL 9005)
- Built-in ON/OFF lever at the bottom of the luminaire
- Wall-mounted gear tray attachment (screws not supplied)

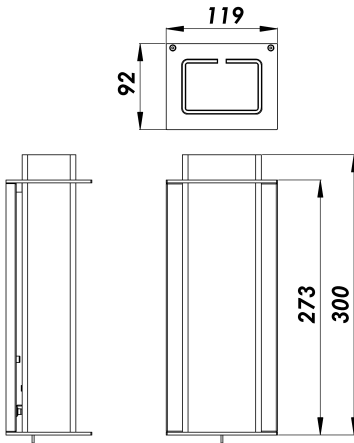
Light specifications and controlling

- With 1 matt LED lamp DAYLIGHTITALIA T30 E14 5W 2700K
- Luminous flux: 340 lm



Installation and maintenance

- Total length: 300 mm
- Total width: 120 mm
- Connection to 3x2.5mm² automatic terminal block
- Fit the light by loosening the 2 screws



Characteristics

- Warranty : 8 years
- Operating temperature: 0°C +35°C
- Imperviousness: IP20, for indoor use
- Electrical class: Class I
- Power supply: 220-240 V 50/60 Hz
- Power consumption: 5 W
- Fire resistance: 650 °C
- Weight: 1,385 kg
- Designed and made in France