

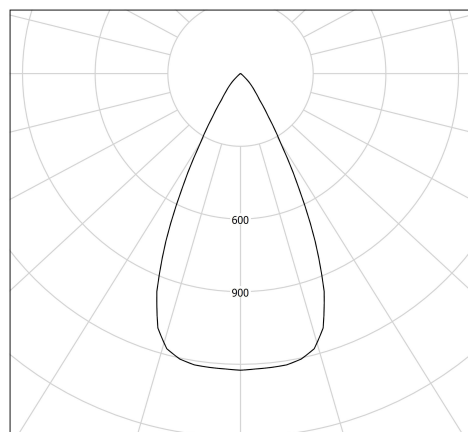


## Description

MOD MONO spotlight on hook (Stefan Diez design). SILVER finishing. Equipped with an interchangeable perforated collimator GRID, SILVER finishing. Low-voltage head, diameter 100, can swivel through 360° thanks to a nickel-plated copper double hoop. Silver anodised aluminium fin passive heat sink. Interchangeable perforated tubular collimator in silver anodised aluminium

## Light specifications and controlling

- CoB LED Module 900 lm (without endcap), IRC>90, 2700 K, 3 SDCM
- Interchangeable optics unit composed of a mixing chamber and a Wide Beam 50° glass lens
- Driver with constant current output, dimmable by Bluetooth Casambi

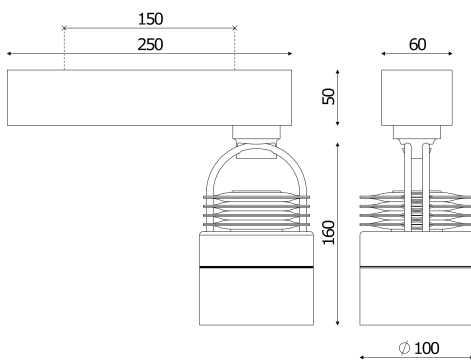


cd — C0 - C180 - - - C90 - C270

1 head : 900 lm

## Installation and maintenance

- Dimensions : Head : Ø100x160 mm, Box : 250x50x60 mm
- Box in anodised aluminium containing a 220-240 V 50/60 Hz power supply and a 3 x 2.5 mm<sup>2</sup> terminal block
- For surface mounting via 2 x M3 screws with centre distance 150 mm (not supplied).



## Characteristics

- Warranty : 5 years
- 50 000 h L80/B10 at 25°C
- Operating temperature: -5 °C to +35 °C
- Protection : IP20
- Electrical class: Class I
- Power consumption: 12 W
- Photobiological hazard: Group 1
- Fire resistance: 850 °C
- Weight: 1,14 kg
- Designed and made in France and Germany