



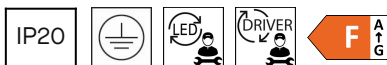
Levels Ceiling 2 Bodies Ø320mm + Ø220mm

Nahtrang Studio

Ceiling fixture Levels Ceiling 2 Bodies Ø320mm + Ø220mm LED 28 SW 2700-3000-4000K PHASE CUT Black 2035lm

Technical features

Luminaire total power: 28W
 Real lumens: 2035 (3000K)
 Real lm/W: 73
 Correlated Colour Temperature (CCT): SW 2700-3000-4000K
 Lens / reflector angle: HORIZONTAL 101°
 Structure material: Steel
 Structure finish: Black
 Diffuser material: Glass
 Diffuser finish: Amber
 Voltage / frequency: 220-240V/50-60Hz
 Dimming protocol: PHASE CUT
 Power Factor: NULL
 Useful life: 50,000h L80B20
 Warranty: 5 years
 Easily recyclable luminaire



Luminotechnic features

CRI: 90
 MacAdam steps: 3
 Photobiological risk: RG1

Lampholder	Quantity	Light source power (W)
LED	1	24.4W

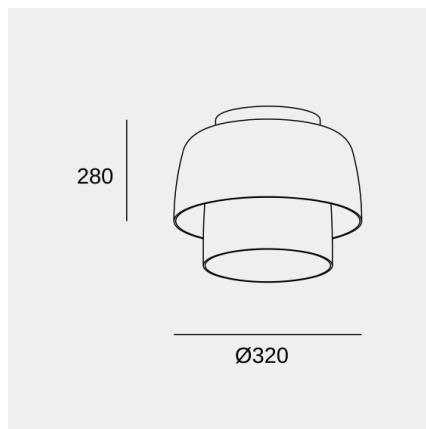


Image may not match reference. LedsC4 reserves the right to amend any of the product's components. The data related to flux, power and colour temperature may be subject to changes made by the manufacturer.



Levels Ceiling 2 Bodies Ø320mm + Ø220mm

Nahtrang Studio

Ceiling fixture Levels Ceiling 2 Bodies Ø320mm + Ø220mm LED 28 SW 2700-3000-4000K PHASE CUT Black 2035lm

Logistics



x 1

Net weight (kg): 3.39

Packaged weight (kg): 4.73

Packaging: 480mm x 480mm x 405mm

Image may not match reference. LedsC4 reserves the right to amend any of the product's components. The data related to flux, power and colour temperature may be subject to changes made by the manufacturer.