



## Levels 3 Bodies Ø420mm + Ø320mm + Ø220mm

Nahtrang Studio

Pendant Levels 3 Bodies Ø420mm + Ø320mm + Ø220mm LED 19 SW 2700-3000-4000K PHASE CUT Black 1381lm

### Technical features

- Luminaire total power: 19W
- Real lumens: 1381 (3000K)
- Real lm/W: 73
- Correlated Colour Temperature (CCT): SW 2700-3000-4000K
- Lens / reflector angle: HORIZONTAL 102°
- Structure material: Steel
- Structure finish: Black
- Diffuser material: Glass
- Diffuser finish: Amber
- Voltage / frequency: 220-240V/50-60Hz
- Dimming protocol: PHASE CUT
- Power Factor: NULL
- Useful life: 50,000h L80B20
- Warranty: 5 years
- Easily recyclable luminaire



### Luminotechnic features

- CRI: 90
- MacAdam steps: 3
- Photobiological risk: RG1

Lampholder	Quantity	Light source power (W)
LED	1	17.2W

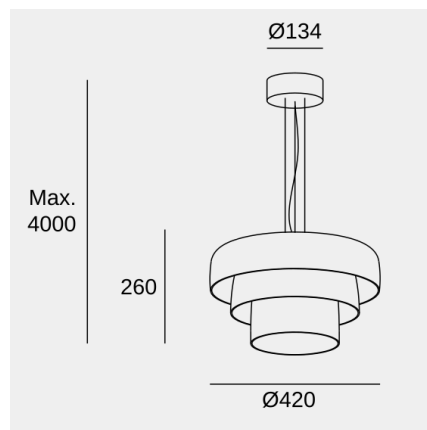


Image may not match reference. LedsC4 reserves the right to amend any of the product's components. The data related to flux, power and colour temperature may be subject to changes made by the manufacturer.

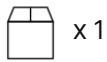


## Levels 3 Bodies Ø420mm + Ø320mm + Ø220mm

Nahtrang Studio

Pendant Levels 3 Bodies Ø420mm + Ø320mm + Ø220mm LED 19 SW 2700-3000-4000K PHASE CUT Black 1381lm

### Logistics



x 1

Net weight (kg): 5.52

Packaged weight (kg): 7.14

Packaging: 520mm x 530mm x 540mm

Image may not match reference. LedsC4 reserves the right to amend any of the product's components. The data related to flux, power and colour temperature may be subject to changes made by the manufacturer.