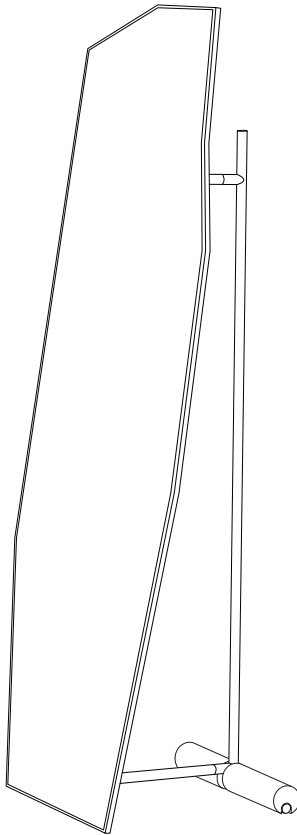


# Shard Mirror Free Stand

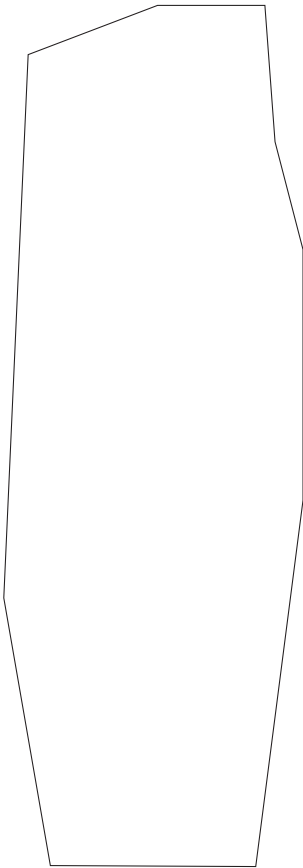
---

Assembly manual

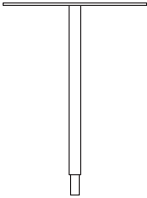


ferm  
L I V I N G

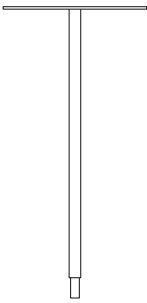
# Box Content



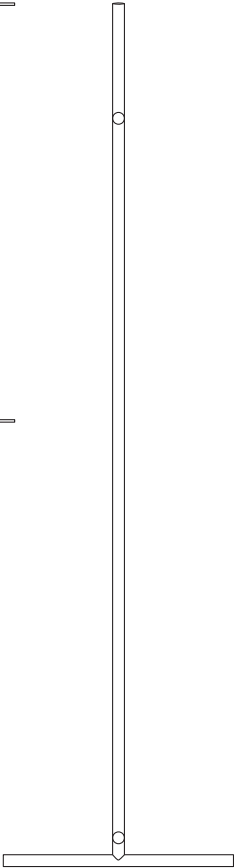
1 x Mirror



1 x Part C



1 x Part B



1 x Part A



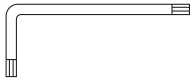
1 x Mirror weight



2 x Screw A



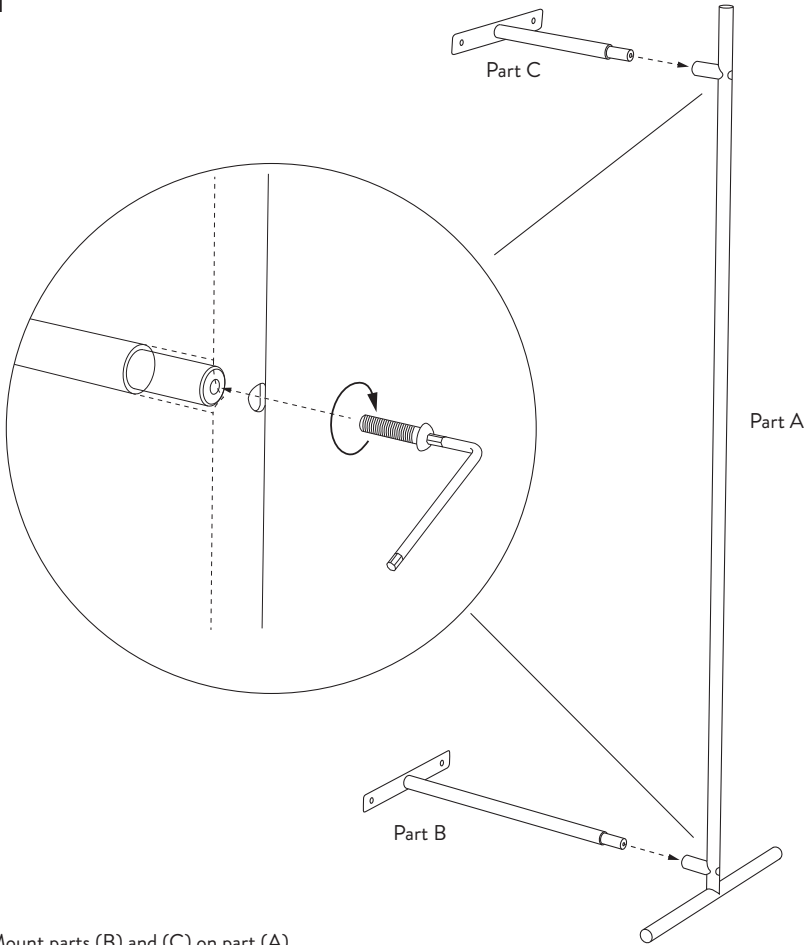
4 x Screw B



M6 Allen Key

# Assembly Process

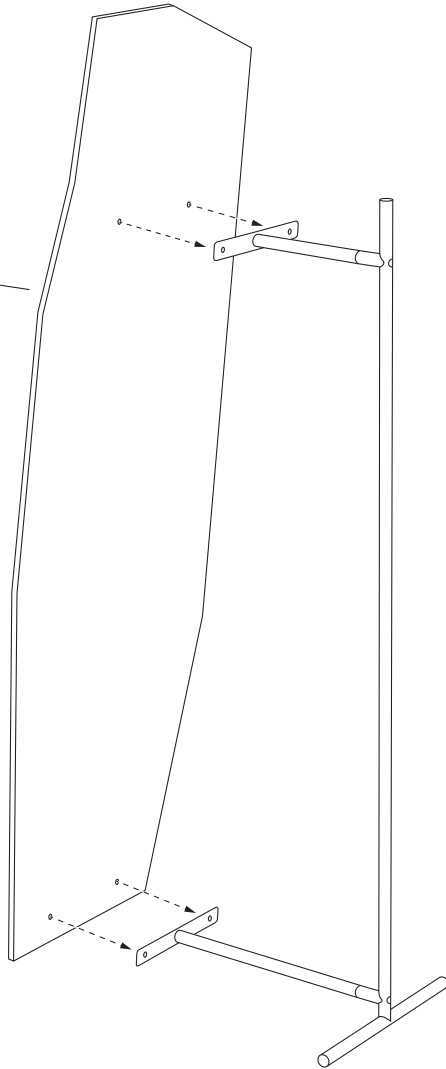
1



Mount parts (B) and (C) on part (A) with a screw (A) each. Use the allen key.

# Assembly Process

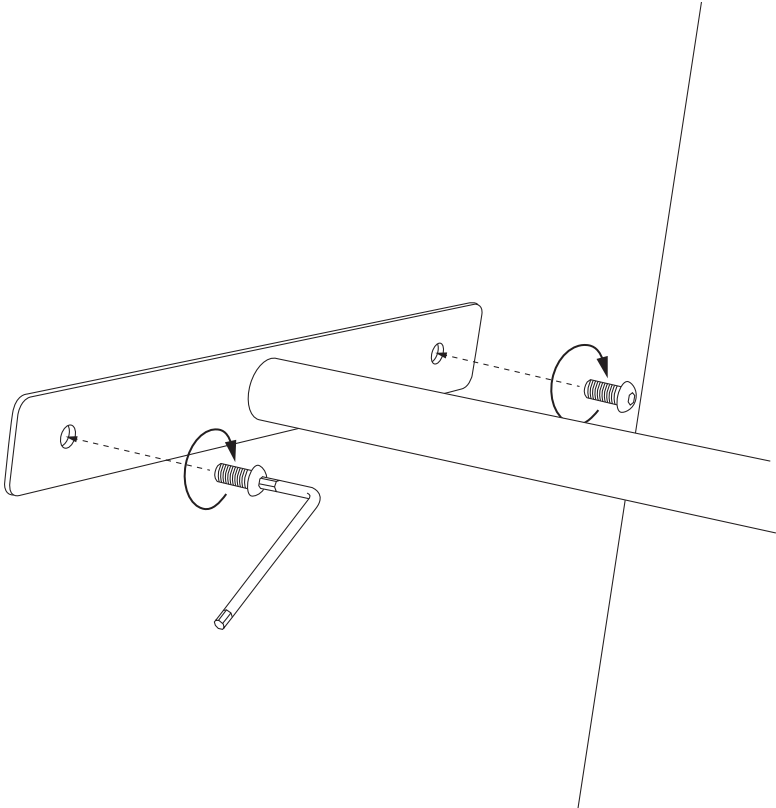
2



Mount the mirror  
on the stand

# Assembly Process

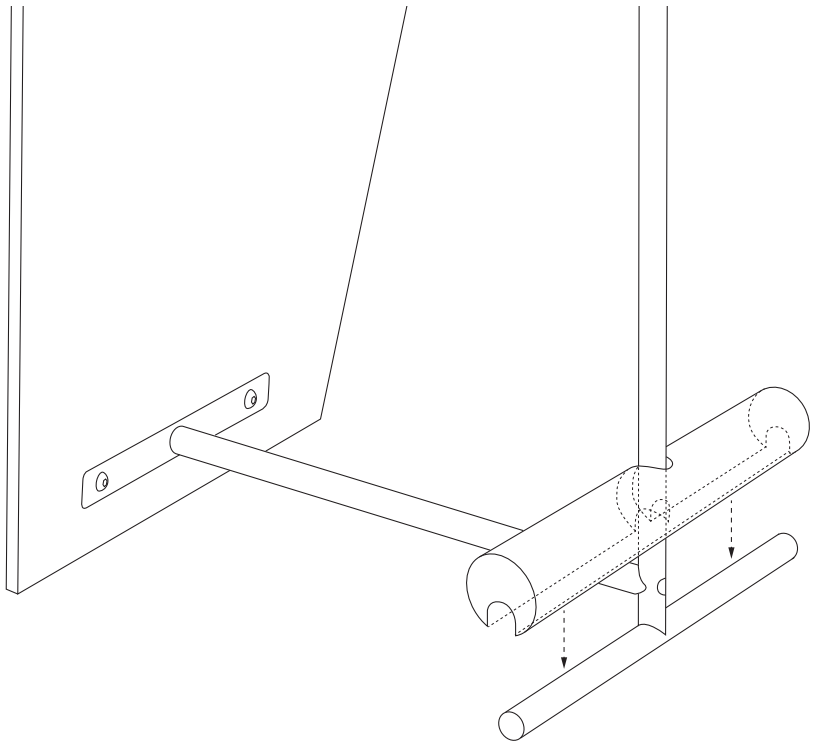
3



Screw 4 screws (B)  
into the mirror

# Assembly Process

2



Mount the weight on the base of the mirror.

[fermliving.com](http://fermliving.com)