

Safety instructions

Please keep these instructions.

1. This product contains a Li-ion battery. Improper use may lead to hazardous situations. Damaged or defective batteries may increase the risk of critical battery failure. In case of smoke, battery swelling, or an odor while charging, terminate charging immediately.
2. To avoid a hazard, the battery shall be replaced exclusively by the manufacturer, the manufacturer's service agent, or a similarly qualified person.
3. The lamps become very hot during use. Allow them to cool before touching.
4. Do not disassemble the lamp while it is switched on.
5. The system should not be enlarged with additional lamps.
6. Please do not place objects on your system (e.g. for decorative purposes) if they were not delivered with the system.
7. To avoid greasy fingerprints, wearing white cotton gloves when handling visible metal parts is recommended.
8. When the indicator light turns green, remove the lamp from the charger. Overcharging can damage the battery.
9. Decrease in battery life is expected over time. Replacement is available.
10. We reserve the right to make technical alterations.

IP65 - Suitable for outdoor use.

Light source: 1.7W, replaceable LED-module 3-step dimmable.

Battery: Li-ion, 7200mAh, 26.6Wh.

Operating temperature: -20°C to 60°C

Charging temperature: 0°C to 45°C



2025-08-12 EU

NUURA

www.nuura.com
info@nuura.com

© 2025 All rights reserved



Asteea Table

portable

User instructions



NUURA

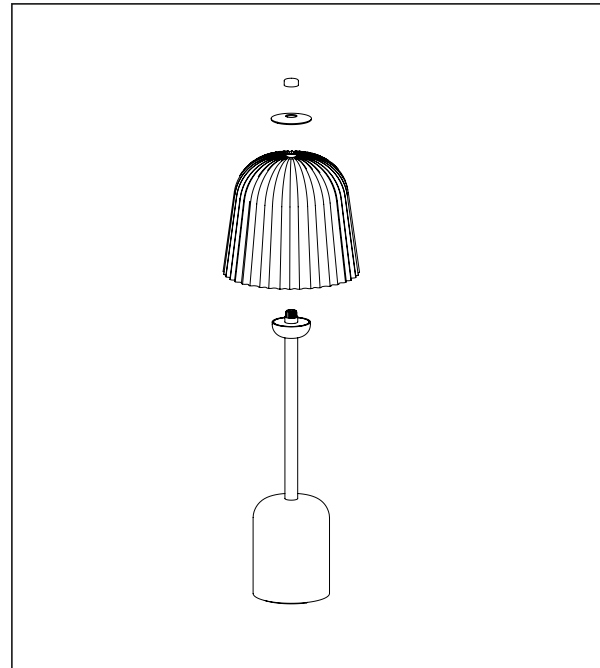
© 2025 All rights reserved



Charging

To charge the lamp, place it on the charging base and connect it to a USB-C power adapter. (The power adapter is not included)

The indicator light is red when charging.

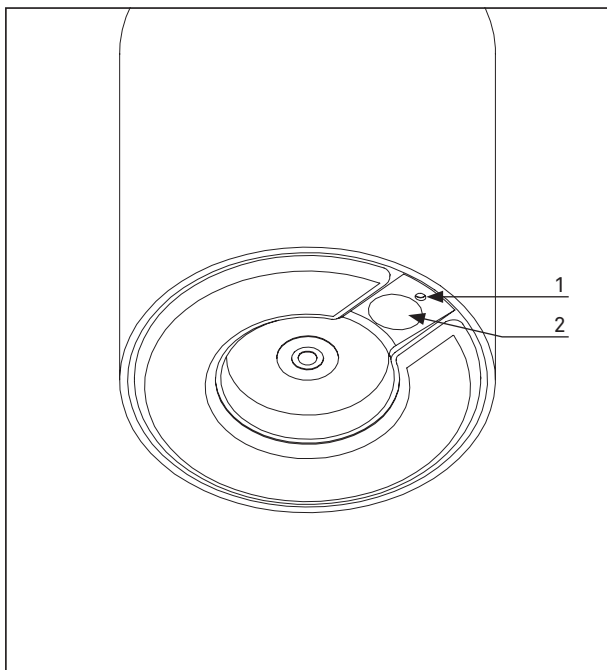


Cleaning and replacement of shade

For easier cleaning and replacement, the shade can be detached from the lamp. To remove it, turn the finger nut counterclockwise and lift the washer to access the shade.

Use a soft, dry cloth to clean the product. Do not use household cleaners.

When reassembling, ensure the finger nut is properly tightened.



1. Indicator light

Green = fully charged

Red = charging

Flashing red = needs charging

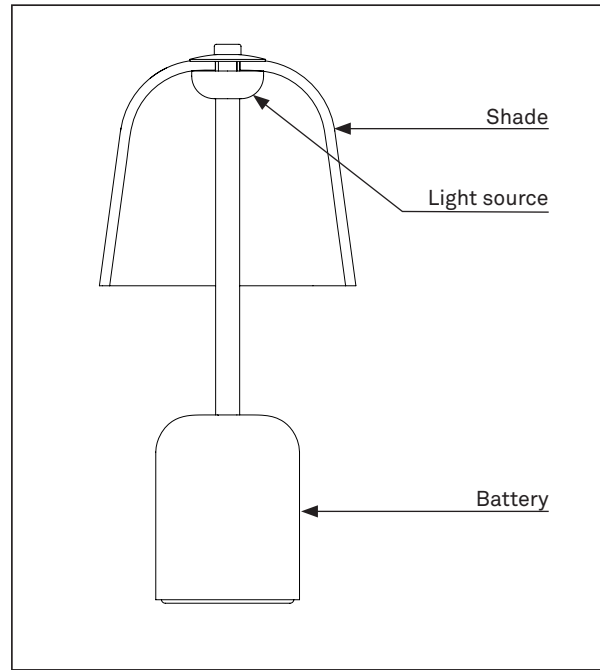
2. Touch function

1st touch = 100% power

2nd touch = 50% power

3rd touch = 10% power

4th touch = OFF



Replaceable components

Shade, LED-module and battery are replaceable.

Spare parts and instructions can be found at www.nuura.com.