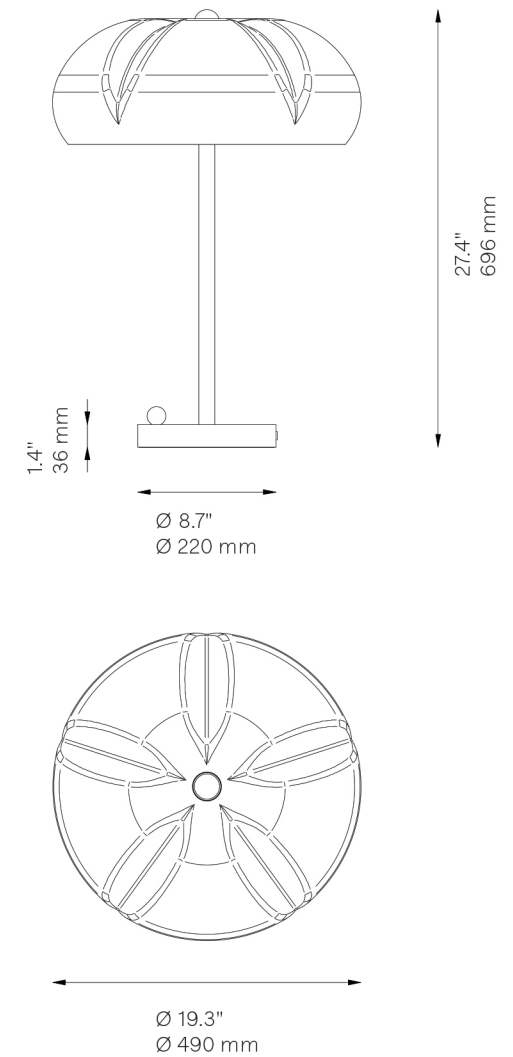




# Hana

Table Lamp - B672

Hana Collection



<b>Glass Lampshades</b>	1 x Ø 490 mm x H 200 mm 1 x Ø 19.3" x H 7.9" Borosilicate Sandblasted Glass	
<b>Weight</b>	7,6 kg / 16,8 lb	
<b>Light Source</b>	LED Bulb (included)	3 x 4 W
	Max Wattage	3 x 15 W
	Total Lumens	660 lm
	Color Temperature	2200-3000 K
	Bulb Base	E14/E12
	Power Supply	230/120V CE/UL
<b>Finishes</b>	LBB / Lacquered Burnished Brass BGM / Black Gunmetal	
<b>Cord</b>	3000 mm / 118.1" Dimmer and on-off switch location in base.	
<b>CE/UL Certified</b>	CE/UL	
<b>Ingress Protection</b>	IP 20	