

# BALLOON

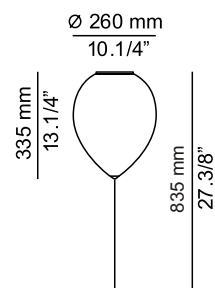
t-3052 USA / t-3052 BF USA 493030522

Flushmount providing direct and indirect light. Shade is made of satinated polyethylene (translucent).



850°

IP 20



Sep. 2011



## UL 1598 ELECTRICAL INSTRUCTIONS FOR FLUSHMOUNTS, WALL SCONCES AND PENDANTS

SAVE THESE INSTRUCTIONS. MIN 90C SUPPLY CONDUCTORS. CAUTION-RISK OF FIRE. USE STATED WATT OR SMALLER. CAUTION-RISK OF SHOCK. DISCONNECT POWER BEFORE SERVICING. TO REDUCE THE RISK OF A BURN DURING RELAMPING, ALLOW THE BULB TO COOL DOWN. SUITABLE FOR DRY LOCATIONS ONLY. THIS PRODUCT MUST BE INSTALLED IN ACCORDANCE WITH THE APPLICABLE INSTALLATION CODE BY A PERSON FAMILIAR WITH THE CONSTRUCTION AND OPERATION OF THE PRODUCT AND THE HAZARD INVOLVED.

**WARNING:** ALL WIRES AND WIRE NUTS USED IN THE INSTALLATION MUST BE RATED 195F (90°C). FOR INDOOR USE ONLY. THESE PRODUCT MUST BE INSTALLED BY A QUALIFIED ELECTRICIAN.

**Attention:** Use a dry cloth to clean the shade (mix one drop of dishwashing soap with one liter of water). Use only lint-free fabrics.

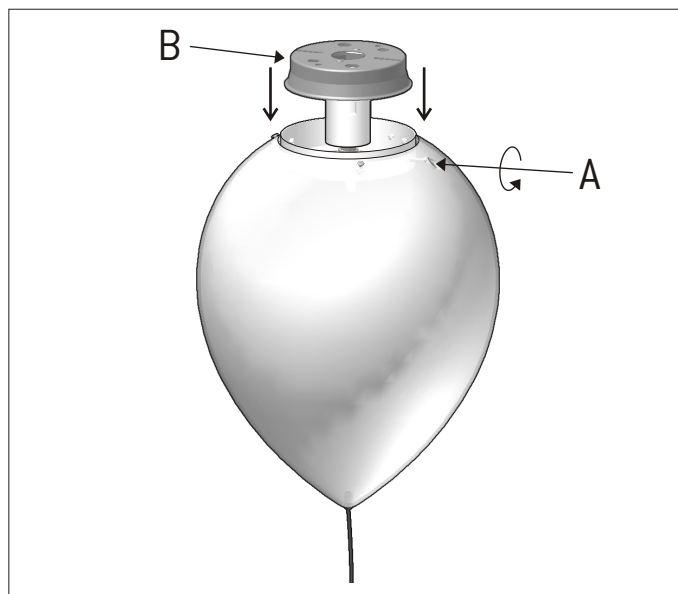
### Assembly instructions

**We recommend installing the lamp with clean hands.**

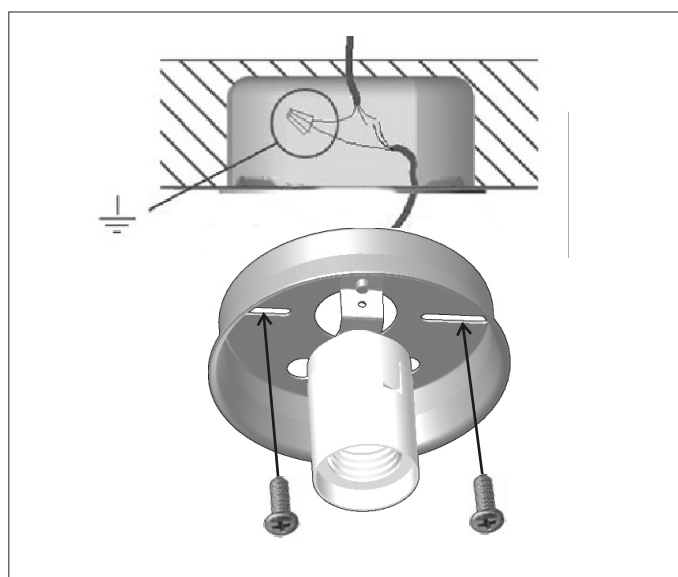
1- Loosen the screw (A) located behind the shade (we recommend you not to remove the screw totally to make it easier afterwards). Remove the mounting bracket (B). Figure 1.

2- Connect the electrical wires. Affix the mounting bracket (B) to the ceiling or the electrical junction box. Figure 2.

# 1



# 2



## Assembly instructions

3- Insert the bulb (not included). In case needed, insert the string into the hole (C). Figure 3.

4- To change the colour of the string (optional), figure 4:

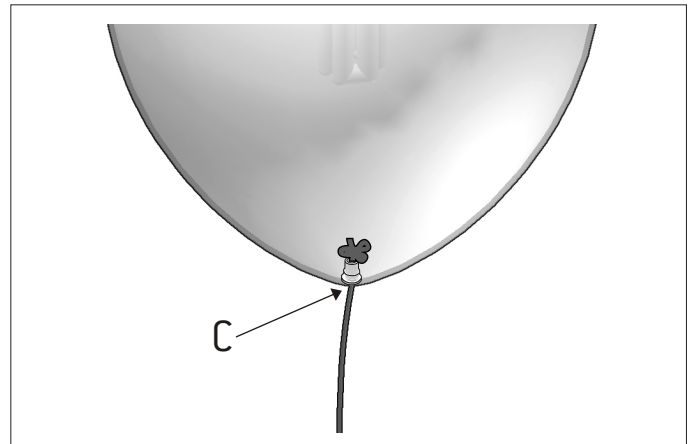
1. buy a string of the desired colour with a maximum diameter of 3/32"
2. insert the new string into the hole (C)
3. tie a knot with the remaining original string

5- Attach and affix the shade to the mounting bracket (B) using the screw (A) removed previously in step one. Figure 5.

# 3



# 4



# 5

