

101

C O P E N H A G E N



Product no: 213051

Type: Chandelier / Indoor
Designer / Year of design:
Kristian Sofus Hansen & Tommy Hyldahl, 2019

Colour / Material: All metal parts incl. frame, lampshade, ceiling cup, screws etc. are made from 100% Iron. All visible iron components has a plated Bronze finish.
Glass: Opal glass / white
Cable: Fabric covered cable / Black

Dimensions: L125 / W125 / H32 CM
Mounting plate: H1,3 / W5,5 CM
Ceiling cup: H19,5 / W6 CM
Fabric covered cable (divided in two):
Cable 1. from 15 to 85 CM / Cable 2. 90 CM

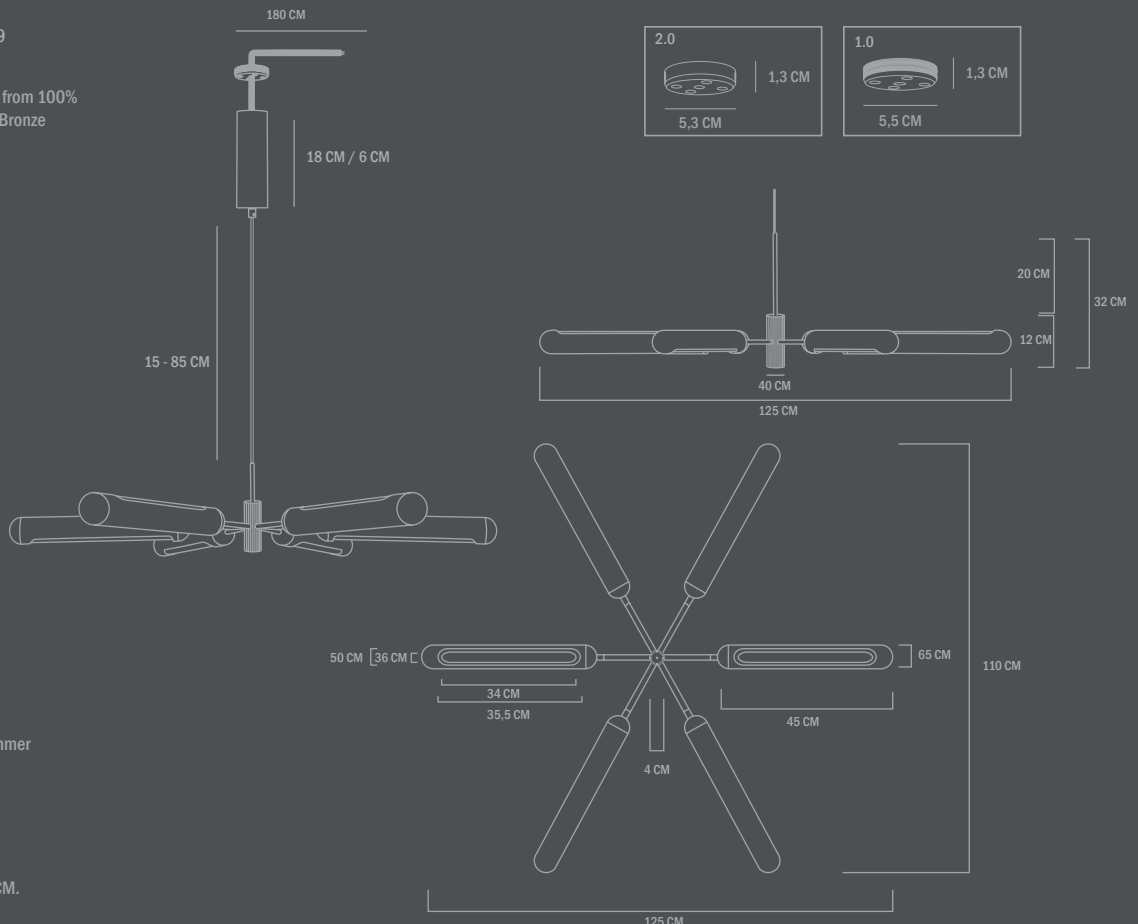
Country of origin: CN
Product weight: 6,5 Kgs

Packaging:
Dimensions: L61 / W53 / H29 CM
Total weight incl. product: 9,1 Kgs
Number of parcels: 1
Material: Brown cardboard

Light source:
Socket: E27
Recommended Light Source:
Tala Totem III E27 - 4 W
Trio Filament E27 - 4 W
Osram Vintage LED E27 Tubular 5 W
Colorante LED Tubular 4,5 W
IP rating: 20 Max Watt: 48
Please note this light source is not dimmable.
Dimmability: Can be fitted with an aligned dimmer

Care instructions:
Use a soft dry cloth to clean the product.
Do not use household cleaners.

Certificates: EMC - LVD - UKCA
Suitable for rooms with a height of 230-320 CM.
Does not comply with US Standards.



BULLET CHANDELIER

The Bullet collection is characterized by a closed tubular metal lampshade with a smooth carved opening. The opening is covered in a curved piece of opal glass, filtering the light from the light source inside.

The collection comprises a chandelier, a pendant, and a wall lamp - all made in bronze plated iron and opal glass, creating unique and sculptural lighting experiences inspired by Art Deco.

The chandelier has six adjustable arms positioned in a flexible hexagon setting and mounted on a rifled centerpiece, adding a shimmering and reflective quality to the lamp. Two of the chandelier arms are turned upwards to ensure lighting towards the ceiling, while the other lampshades are facing downwards to brighten up the space below the chandelier.

The linear design of the pendant is sleek and is an ode to the industrial lamps of 1960s kitchens. The lampshade has two carved openings, filtering the light through white opal glass to the space below the lamp. The tubular lampshade is mounted to a sleek metal wall cup and placed directly to the wall in a vertical position.

Designed by Kristian Sofus Hansen & Tommy Hyldahl.