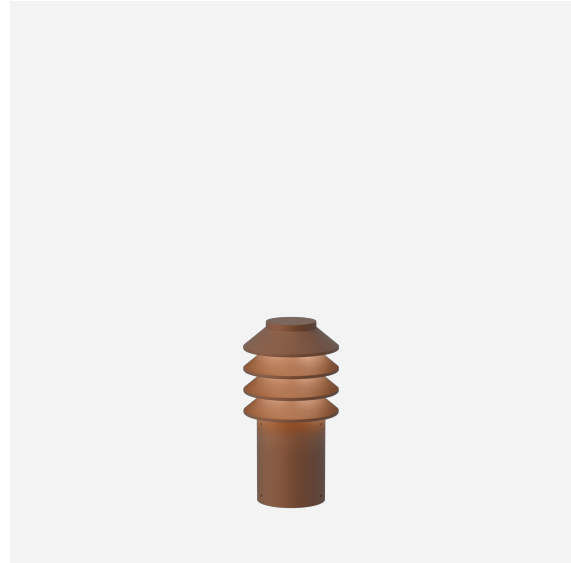


BYSTED GARDEN BOLLARD

Bysted Garden Bollard - 5747405691

The bollard has a round symmetrical design with four downward-angled rings reflecting the light in a soft downward direction. The rings provide a soft glow while the white underside ensures optimal light reflection and produces a characteristic symmetric light pattern on the ground.



Peter Bysted

Peter Bysted graduated as an architect and industrial designer from The Aarhus School of Architecture in 1978. Three years prior, in a contest arranged by Louis Poulsen concerning the illumination of quarters worthy of preservation, he won second prize with 'Bysted', a bollard made from cor-ten steel, suggesting his interest in lighting design even then.



Product info

Environmental Product Specification

This product is compliant with the requirements contained in the European Directives, RoHS Directive 2011/65 and 2015/863. This product is designed so that 100% of the product can be disassembled and reused.

Information

This product is fitted with an integrated energy-saving LED light source. Should you wish to replace it, please contact Louis Poulsen so we can help you purchase the correct LED Replacement Kit. Please note that LED-replacement should always be carried out by an authorised electrician.

Mounting

Bysted Garden is fitted with external adaptor, a maximum of 4 Bysted Garden bollards (14 W) can be run by one adaptor. The adaptor and installation cables must be bought separately. Maximum distance to last bollard is 30 m. Stem: Ø95 mm. Spike mounting: Put the bollard with the spike into the ground and let the cable run over the ground. The bollard is connected to the adaptor with the enclosed 5 m. cable and T-connector. Plug-and-Play. Anchor mounting: Anchor unit to be fixed in concrete. Use installation cables for in-ground installation for legal fixed installation. Looping is approved. Requires installation by certified electrician. Baseplate mounting: Mounting on a surface. Use installation cables for in-ground installation for legal fixed installation. Looping is approved. Requires installation by certified electrician.

Finish

Aluminium, Corten, or Black coloured. Textured surface, powder coated.

Materials

Top: Cast aluminium. Reflector part: Cast aluminium. Post: Extruded aluminium. Base plate, spike and anchor: Cast aluminium. Diffuser: PC

Sizes and weights

Width x Height x Length (mm) | 132 x 534 x 132 Max 4.6 kg | 132 x 519 x 132 Max 4.1 kg | 132 x 799 x 132 Max 5.3 kg | 132 x 254 x 132 Max 4.0 kg

Class

Ingress protection w/spike: IP 65 Ingress protection w/anchor: IP 65 (Head), IP44 (Anchor) Ingress protection w/base plate: IP 65 (Head), IP44 (Baseplate) Electric shock protection III IK06

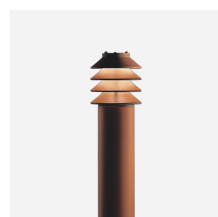
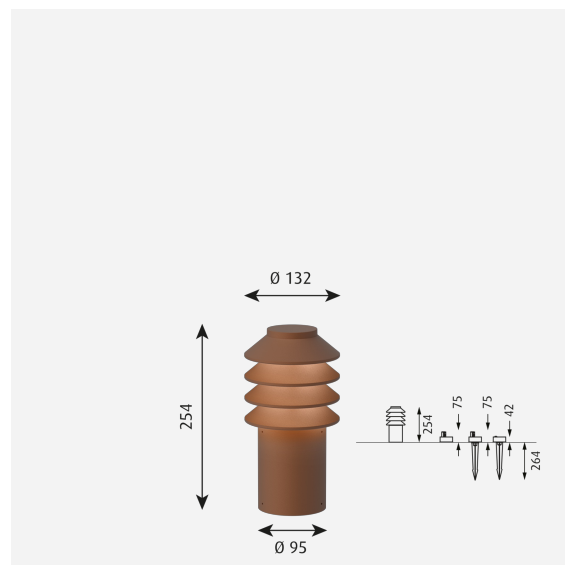
Light source

LED 2700K 14W

Lumen: 247

Information

This product is fitted with an integrated energy-saving LED light source. Should you wish to replace it, please contact Louis Poulsen so we can help you purchase the correct LED Replacement Kit. Please note that LED-replacement should always be carried out by an authorised electrician.

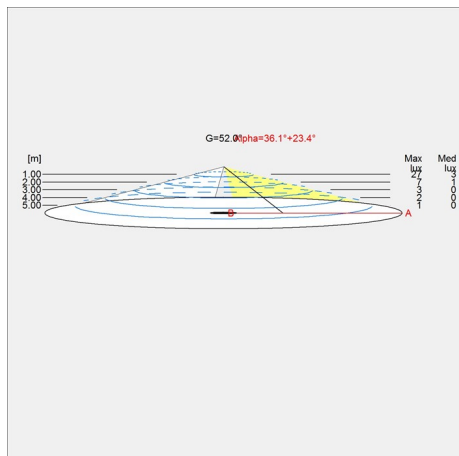


Bysted

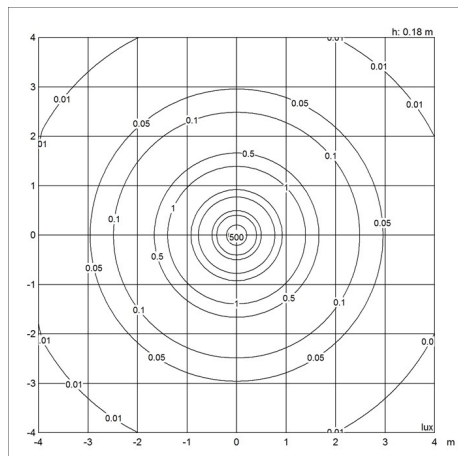
Related products

Light distribution diagrams

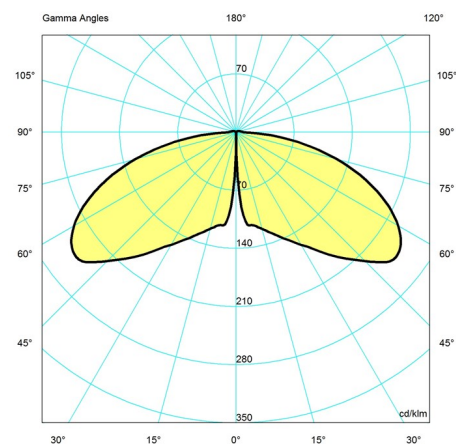
Cartesian



Isolux



Polar



Spare parts & accessories

| Product | Variant number |
|---|----------------|
| T-Connector for Spike-Mount Garden Bollards | 5747405303 |
| Garden adapterbox cable 3x1 | 5747407039 |
| BYSTED GARDEN REP.KIT COB/PCB 4K | 5747405811 |
| BYSTED GARDEN REP.KIT COB/PCB 3K | 5747405824 |
| BYSTED GARDEN REP.KIT COB/PCB 27K | 5747405837 |

Data specifications

| | | | |
|-------------------------------------|---------------|----------------|-----|
| Colour | Corten colour | Length | 132 |
| Width | 132 | Height | 519 |
| IP class | - | IK class | - |
| Class | III | Net Weight | 4.1 |
| Wind Load (m2) | - | Standby (W) | - |
| Power Factor (P = 100 % / P = 50 %) | - | Inrush Current | - |

Bysted Garden Bollard

| | |
|--------------------|----------------------|
| Light source | LED 2700K 14W |
| CRI | 90 |
| Lumen | 247 |
| Efficacy | 18 |
| Min. Dim Level (%) | - |
| BUG Rating | B0 U1 G0 |
| Driver life | >50.000 |

| | |
|------------------|-------------------|
| Kelvin | 2700 |
| SDCM | 3 |
| Watt | 14 |
| Light control | - |
| Surge Protection | - |
| L80B50 (hours) | >50.000 |