

LA BOITE
CONCEPT

PR LINK

POWERFUL & CONNECTED



PRESS RELEASE – JANUARY 2024

PR LINK

THE HIGH-FIDELITY, POWERFUL & DURABLE CONNECTED SPEAKER

Following the international success of the PR/01, La Boite concept decided to push back the limits of its landmark APR® patent, marking a major advance in the field of high-fidelity acoustics, all in an even more compact and connected format.

NEW EDITION

A new edition of the multi-award-winning PR/01, the PR LINK pushes back the technical boundaries, offering a minimalist design concealing a powerful and unique patented high-fidelity technology: Active Pressure Reflex®.

NEW AMPLIFICATION

A new combined AB-D amplifier, combining Class D technology for low frequencies with Class AB technology for high frequencies. Designed and developed exclusively for the PR LINK by Micromega®, this innovative approach ensures unparalleled definition and even deeper bass.

FOR ALL YOUR SOURCES

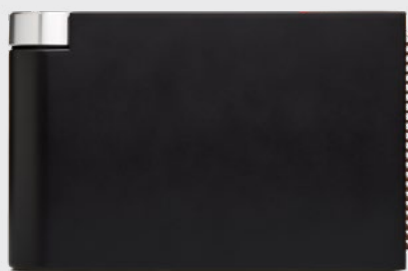
Whether you want to create a Multiroom audio system with AirPlay 2® or Chromecast® via the built-in Escape module by connecting your mobile devices, listen via Bluetooth®, enjoy your television via ARC-HDMI or listen to your favourite vinyl records, PR LINK meets all your musical needs without compromising on design or sound quality.

AESTHETIC, COMPACT, INTUITIVE, DURABLE AND UPGRADEABLE

The pure, minimalist design of PR LINK makes it a true sonic gem, perfectly suited to contemporary domestic use. It embodies greatness in a compact format, meeting today's demands in terms of Hi-Fi listening, all intuitively and without any unsightly cables.



PR LINK - FRONT VIEW - COVER CLOSED



PR LINK - SIDE VIEW - COVER CLOSED



PR LINK - KNOB DETAIL - CLOSED COVER

TIMELESS DESIGN

RADICAL STYLE

The PR LINK loudspeaker has a minimalist design that is both sober and functional. Its sleek design and simple lines give it a discreet, elegant aesthetic.

The speaker is made from high-quality materials such as solid walnut, aluminium and bakelite, giving it an elegance worthy of timeless contemporary furniture, and ensuring unfailing durability and robustness.

PR LINK is also designed to be easy to use. The discreet, intuitive controls are elegantly integrated. Turn up the volume and select your source using a single intelligent control knob made of solid aluminium, an integral part of the object, in complete simplicity.

A discreet, ergonomic magnetic cover hides unsightly cables and makes the product upgradeable.

A true all-in-one masterpiece that will impress the most demanding music lovers while blending harmoniously into your home.

This Made In Europe loudspeaker is assembled in our workshops. La Boite concept has chosen to work with carefully selected suppliers who are well known for their expertise and commitment to strict quality standards.

ON A PEDESTAL

This optional stand raises the PR LINK to the ideal height, ensuring remarkably faithful sound reproduction and an optimal listening experience.

Its sleek design conceals all the speaker's cables. This accessory is finished in matt black powder-coated steel with a natural wood blade, ensuring perfect aesthetic continuity with the PR LINK.

1964 - 2024: BACK TO BASICS

Its solid wood front is a tribute to the first SIARE speakers, pioneers of the slatted front 60 years ago, created by Marie Yemarian Cagniard, the grandmother of Timothée Cagniard, the head of La Boite concept.



PR LINK + STAND – FACE VIEW - CLOSED COVER



1964 SIARE SPEAKER – FRONT VIEW – BY MARIE YEREMIAN CAGNIARD



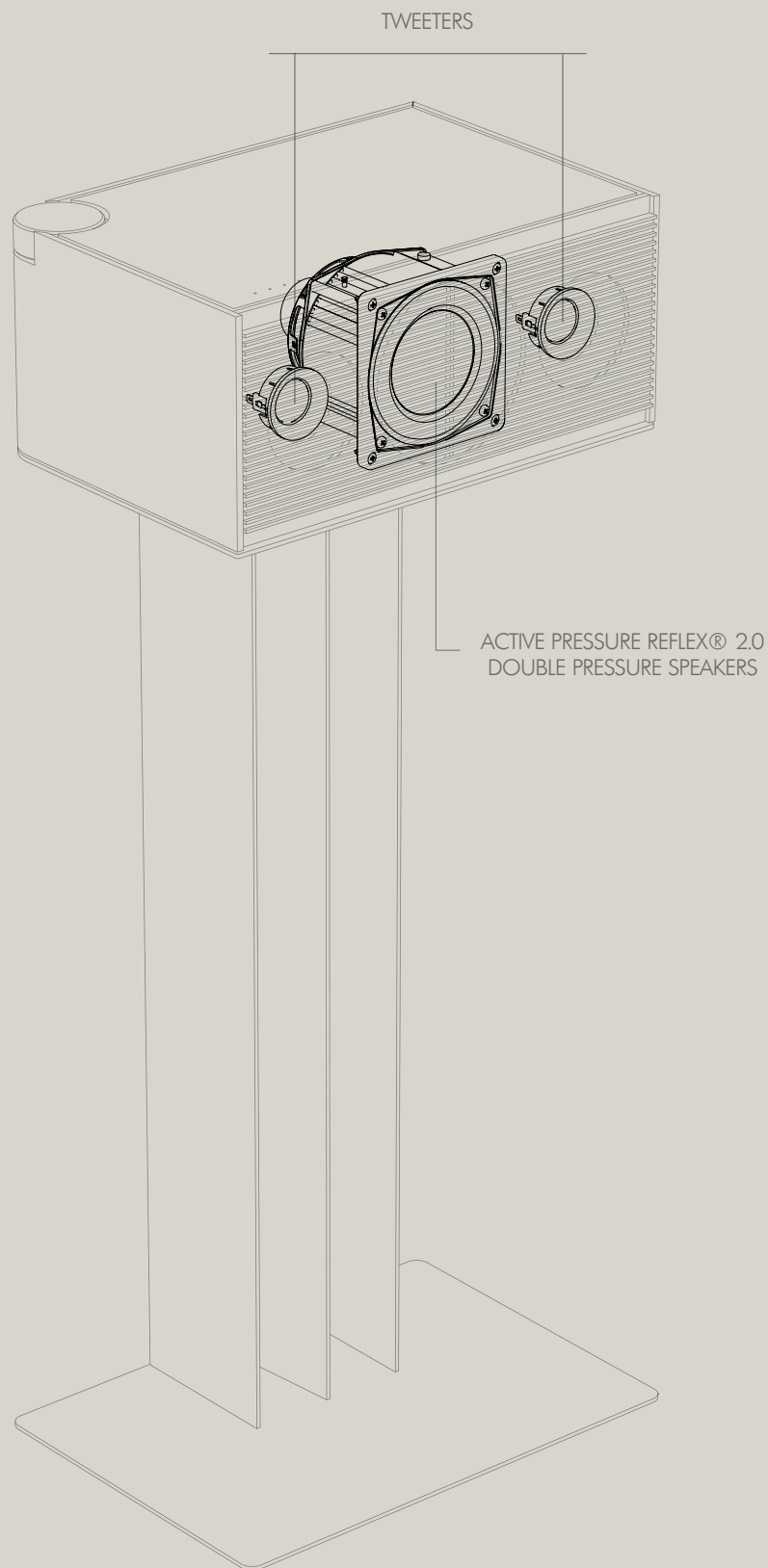
PR LINK – 3/4 TOP VIEW – LIFTED COVER



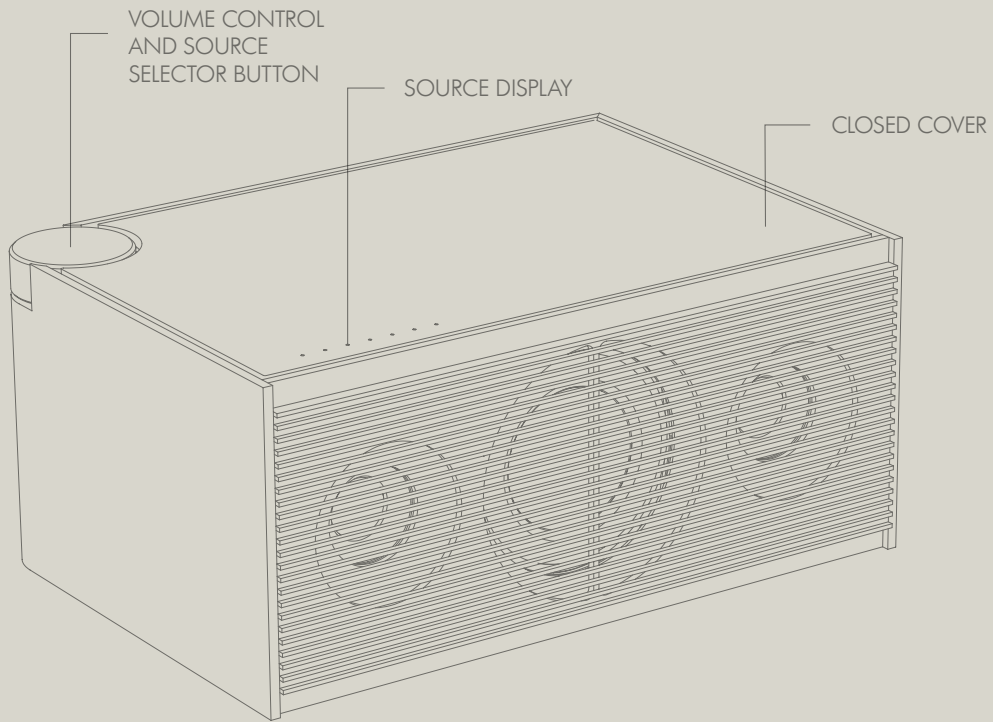
PR LINK + STAND - FACE VIEW - COVER CLOSED

ACTIVE PRESSION REFLEX® 2.0

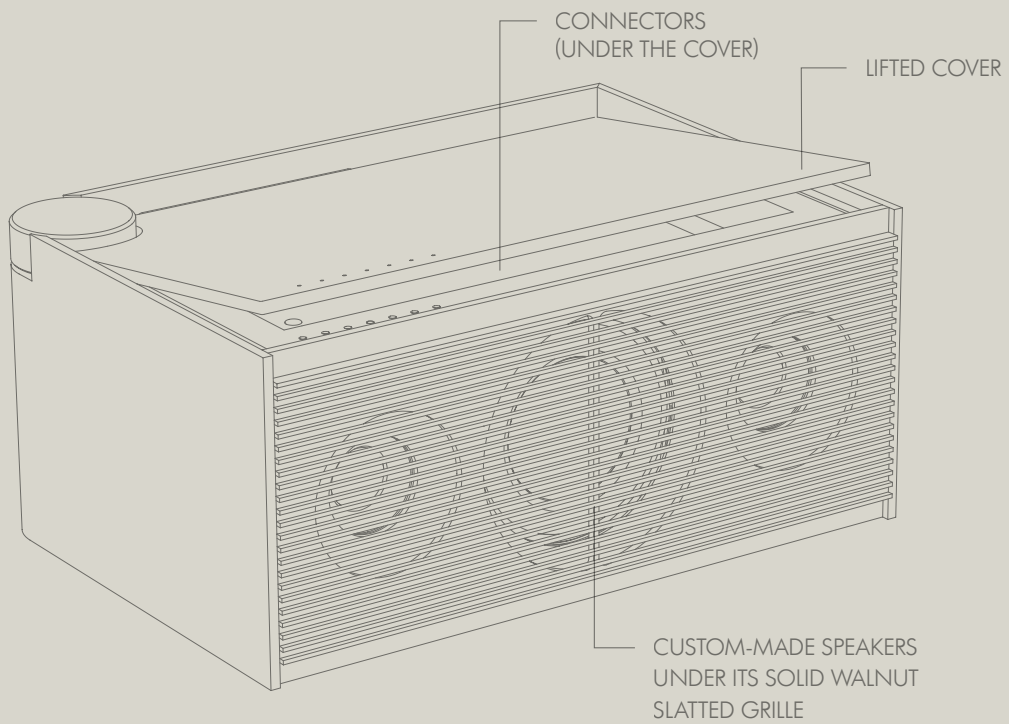
DEEP BASSES IN A COMPACT VOLUME
4 EXCLUSIVES SPEAKERS



PR LINK + STAND – WIRED 3/4 TOP VIEW – CLOSED COVER



PR/LINK – 3/4 TOP VIEW – CLOSED COVER



PR LINK – 3/4 TOP VIEW – LIFTED COVER



PR LINK – 3/4 FRONT VIEW – CLOSED COVER

UNIVERSAL CONNECTORS

Versatile connectors designed to be future-proof, guaranteeing compatibility with both current and future technologies. Whatever your equipment, it adapts to your needs:

Bluetooth® 5.1 Apt-X

Connect your mobile devices wirelessly to enjoy high-fidelity music from your favourite streaming platforms.

3.5mm Jack

Connect your numerous electronic devices such as computers, tablets etc.

RCA

Connect your CD player, preamplified vinyl etc.

Optical

Connect your TV, box or CD player to avoid latency between picture and sound.

HDMI - ARC

Connect your television with an HDMI ARC output to synchronise the volume using your TV remote control with the sound from the PR LINK and avoid latency between picture and sound.

Escape X La Boite concept Wi-Fi Multiroom Streamer integrated

The Escape x La Boite concept Wi-Fi Multiroom module is a streaming device designed for wireless audio broadcasting via your Wi-Fi network.

It's compact, connects automatically via your iPhone or Android, and integrates in one click with no visible cables thanks to PR LINK's integrated USB-C port.

Connect multiple devices to your Wi-Fi network to stream music to multiple speakers simultaneously from your favourite streaming platforms via your iPhone or Android using AirPlay®, Spotify Connect® or Chromecast Audio®.

This unique, versatile USB-C port, which provides both power and data transfer, means you can upgrade your multi-room system over the years, keeping your equipment relevant without making it obsolete.

Charging points for even longer use:

- **USB-A:** simplify recharging your devices.
- **USB-C:** easily recharge all your cutting-edge devices compatible with this new USB-C connectivity standard.



PR LINK - TOP VIEW - COVER REMOVED + CONNECTORS PLUG IN



PR LINK - 3/4 BACK VIEW - COVER REMOVED + CONNECTORS



PR LINK - SOURCES DETAILS

ACTIVE PRESSION REFLEX® A LANDMARK PATENT REINVENTED

La Boite concept's research and development laboratory has devoted 7 years to achieving exceptional performance by revisiting a patent registered in 1976 by the Cagniard family at Siare, adapting it to the digital revolution.

This patent, called Active Pressure Reflex®, gives its name to the PR/O1 product and explains the exceptional power and bass of this speaker in a compact format.

It has been implemented in a hermetically sealed ring equipped with two digitally controlled drivers, including a front-mounted midrange woofer and an internal woofer. This pressure chamber system was carefully calibrated with two bespoke digital amplifiers. These amplifiers offer exceptional power and flexibility, particularly in the low frequencies, all in an extremely compact format.

After a further three years of research, the patent has been redesigned for the PR LINK. For even greater power handling, a completely new design has resulted in a die-cast aluminium ring, with integrated heat sinks to dissipate the heat produced by the piston-like movements of the driver diaphragms. Two 4.5-inch drivers, specially designed for this technology, are carefully sealed at the front and rear of the ring.

This simultaneous piston movement of the midrange and woofer, combined with a Bass Reflex port at the rear, greatly enhances the reproduction of deep bass, creating an exceptional sound experience for such a compact format.

ACOUSTIC LA BOITE CONCEPT X ELECTRONIC AB-D MICROMEGA®

The PR LINK marks a promising start to our partnership with the French electronics manufacturer Micromega®, our group's subsidiary company.

La Boite concept and Micromega® engineers have designed and developed a bespoke class AB amplifier specially calibrated for the PR LINK loudspeakers.

This innovative approach to amplification combines the best of the digital and analogue AB worlds. Class D technology for low frequencies combined with Class AB technology for high frequencies, ensuring unparalleled clarity and sonic fidelity and deep bass that immerses the listener in the heart of the music.

This AB category of amplification for clarity and smooth high frequencies is the most frequently adopted in hi-fi amplifiers designed for the most demanding audiophiles.

HiFi quality and powerful, the PR LINK fully exploits the advantages of each of these amplification technologies to maintain its excellence.

MICROMEGA



DUAL PISTON SPEAKERS - APR® 2.0 - SIDE VIEW - ALUMINIUM DISSIPATIVE RING



PR LINK – TOP VIEW – COVER REMOVED – STREAMER DETAIL

TECHNICAL SPECIFICATIONS

POWER

- RMS amplifier power: 140W, the four channels total 140W:
 - 2 stages of Class D amplification for midrange and woofer with hifi power at - 1% THD of 110 real watts: 2 x 55W
 - 2 stages of Class AB stereo amplification for tweeter with a hifi power at - 1% THD of 30 real watts: 2 x 15W.
- Total power: 240W

SPEAKERS

- 4 exclusive CCLAB La Boite concept speakers in Active Pressure Reflex® technology with aluminium dissipative ring:
 - 1 x 4.5" Medium paper cone with very long excursion - neodymium magnetic load
 - 1 x 4,5" Woofer paper cone with very long excursion - neodymium magnetic load
 - 2 x 1.9" dome tweeter
 - Custom laminar bass reflex.

CONNECTORS

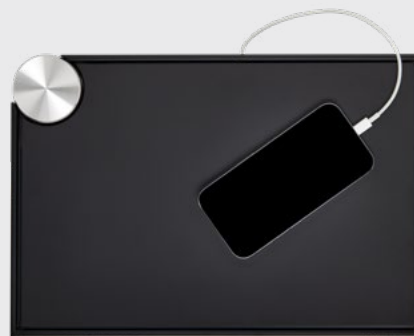
- Analogue inputs
 - 1 x RCA input
 - 1 x 3.5mm AUX input
- Digital inputs
 - 1 x Bluetooth 5.1 Apt-X input
 - 1 x optical (24bit/96kHz) Toslink SPDIF input for connecting CD player or Box and TV without latency between voice and image
 - 1 x ARC input for connecting a box or TV without latency between voice and picture
 - 1 x USB-C input for ESCAPE x streamer LA BOITE CONCEPT
 - Wi-Fi multi-room wireless streamer compatible with Airplay 2®, Chromecast Audio®, Roon Ready® and Spotify Connect®.
 - Sold with adapter developed for PR LINK / Streamer
- Digital to analogue converter
 - DAC ADAU1701 for Medium and Woofer
 - DAC ES9023 for Tweeter



SPEAKERS - APR® 2.0 - FRONT VIEW



PR LINK - 3/4 TOP VIEW - BUTTON PRESSURE DETAIL



PR LINK - TOP VIEW - CLOSED COVER + PHONE PLUGGED IN

TECHNICAL SPECIFICATIONS

CHARGING POINT

- 1 x USB-A 5V / 2A socket
- 1X USB-C 5V / 2A socket

POWER SUPPLY

- AC 100-240V - 50-60Hz, 120W

MATERIALS

- Matte black stained MDF / HDF enclosure
- Matte varnished solid walnut grille
- Matte anodised brushed solid aluminium bezel
- Solid aluminium volume knob

MANUFACTURING

- Made in Europe
- Assembled in La Boite concept workshop (Basque Country and Landes)

DIMENSIONS

- PR LINK: W36cm x D25cm x H16cm
- STAND: W38cm X D27cm X H74,5cm

WEIGHT

- PR LINK: 6kg
- Stand: 12kg

RETAIL PRICE INCL. VAT

- PR LINK: €1450
- PR LINK + stand: €1690
- Optional metal and wood stand: €290



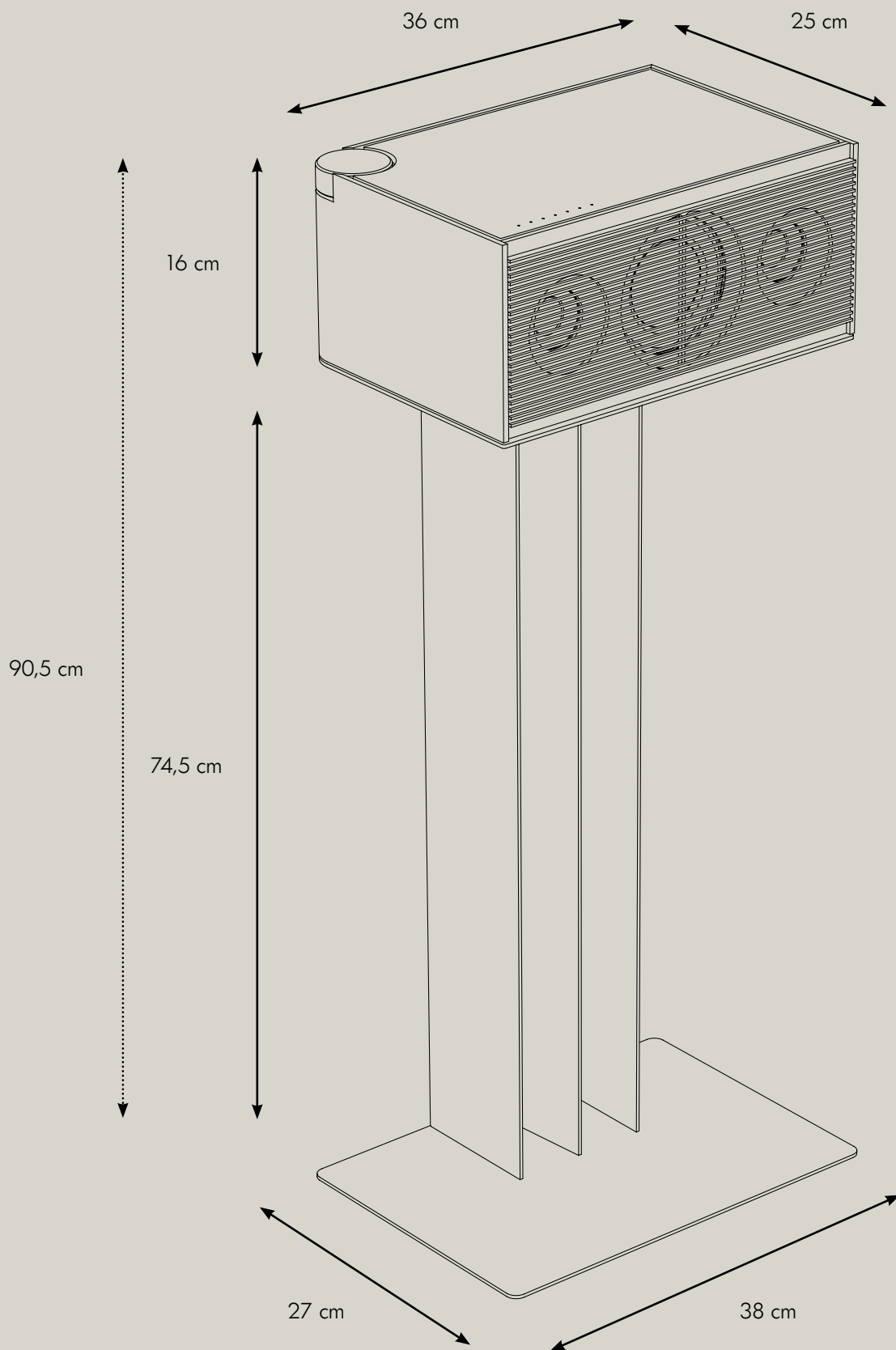
PR LINK - 3/4 TOP VIEW - COVER CLOSED



PR LINK - 3/4 REAR VIEW - COVER REMOVED + CONNECTORS PLUGGED IN



PR LINK - 3/4 PROFILE VIEW - DETAIL OF VOLUME CONTROL KNOB



PR LINK + STAND - 3/4 WIRED VIEW - COVER CLOSED



LA BOITE CONCEPT

CONTACTS

PRESS / AGENCE 14 SEPTEMBRE

PAULINE RAULT

M +33 6 42 86 10 00
paulinerault@14septembre.com

LA BOITE CONCEPT

info@laboiteconcept.com
www.laboiteconcept.com



LA BOITE
CONCEPT