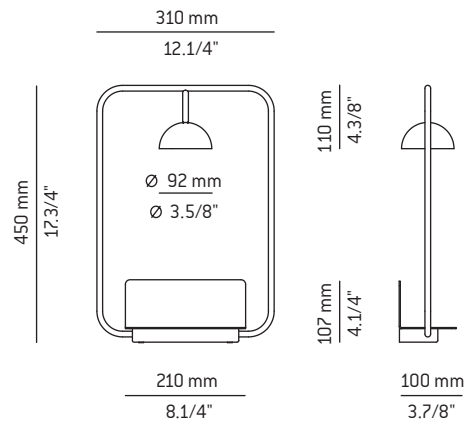


A-3930

493039301

Indoor wall light with rounded edged-rectangular metal body, dome head, acrylic lens diffuser and integral LED.

Aplique metálico de interior con cuerpo rectangular y bordes redondeados, cabezal en forma de cúpula, difusor de metacrilato y LED integrado.



Warning

PRODUCT IS TO BE INSTALLED BY A QUALIFIED ELECTRICIAN ONLY.
LE PRODUIT DOIT ÊTRE INSTALLÉ PAR UN ÉLECTRICIEN QUALIFIÉ UNIQUEMENT.
EL PRODUCTO DEBE SER INSTALADO SOLO POR UN ELECTRICISTA CUALIFICADO.

The light source of this luminaire is not replaceable. Once the light source's lifecycle ends, you must contact the manufacturer for repairs. (CE only: 230V / P.F Tends to 1)

La fuente de luz de esta luminaria no es reemplazable. Cuando la fuente de luz alcance el final de su vida, debe ponerse en contacto con el fabricante para su reparación. (Solo CE: 230V/FP Tiende a 1)

WE RECOMMEND READING THE INSTRUCTIONS ENTIRELY BEFORE STARTING YOUR INSTALLATION PLEASE SAVE THESE INSTRUCTIONS SO THAT YOU CAN REFER TO THEM AT A LATER TIME
* Make sure the power has been disconnected before installing the fixture.
* For indoor use only.
* Do not use alcohol or solvents to clean the lamp.
* For your convenience, assembly by two people is recommended.

LE RECOMENDAMOS LEA LAS INSTRUCCIONES ANTES DE PROCEDER A LA INSTALACIÓN GUARDE LAS INSTRUCCIONES PARA FUTURAS REFERENCIAS
* Asegúrese de que la corriente está desconectada antes de conectar el aparato.
* Únicamente para uso en interiores.
* Para limpieza no utilizar alcohol ni disolventes
* Recomendamos la intervención de 2 personas para el montaje de la lámpara.



UL 1598 ELECTRICAL INSTRUCTIONS FOR FLUSHMOUNTS, WALL SCONCES AND PENDANTS

SAVE THESE INSTRUCTIONS. MIN 90C SUPPLY CONDUCTORS. CAUTION-RISK OF FIRE. USE STATED WATT OR SMALLER. CAUTION-RISK OF SHOCK. DISCONNECT POWER BEFORE SERVICING. TO REDUCE THE RISK OF A BURN DURING RELAMPING, ALLOW THE BULB TO COOL DOWN. SUITABLE FOR DAMP LOCATION. THIS PRODUCT MUST BE INSTALLED IN ACCORDANCE WITH THE APPLICABLE INSTALLATION CODE BY A PERSON FAMILIAR WITH THE CONSTRUCTION AND OPERATION OF THE PRODUCT AND THE HAZARD INVOLVED.

WARNING: ALL WIRES AND WIRE NUTS USED IN THE INSTALLATION MUST BE RATED 195F (90°C). FOR INDOOR USE ONLY. THESE PRODUCT MUST BE INSTALLED BY A QUALIFIED ELECTRICIAN.

Assembly instructions / Instrucciones

1 - Pull the metal plate (A) to separate it from the mounting bracket (B). This plate is held by two magnets (C). There is no danger of breakage but be careful to not lose them. Figure 1.

1 - Tirar de la base metálica (A) para separarla de la sujeción (B). Esta base esta sujeta por dos imanes (C), no hay peligro de rotura pero sí de pérdida. Figura 1.

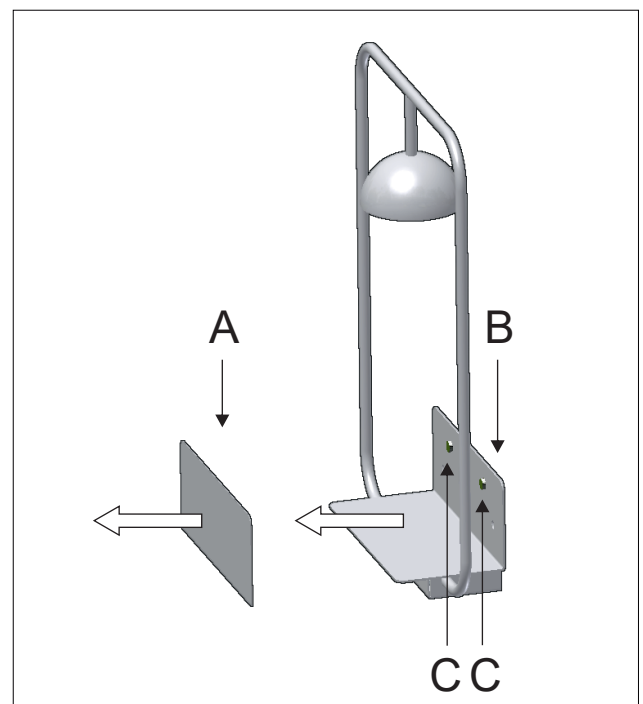


Figure 1

2A - WITHOUT JUNCTION BOX (INTERNATIONAL)

Make the electrical connections and fix the mounting bracket (B) to the wall.
Figure 2.

2A - SIN CAJA DE CONEXIONES (INTERNACIONAL)

Realizar las conexiones eléctricas y fijar la sujeción (B) a la pared.
Figura 2.

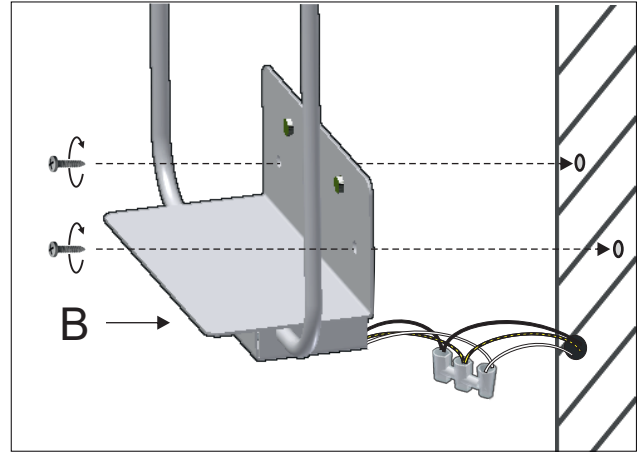


Figure 2A

2B - WITH JUNCTION BOX (USA)

Make the electrical connections inside of the junction box (D) and attach the mounting bracket (B) to the wall.
Figure 2.

2B - CON CAJA DE CONEXIONES (USA)

Realizar las conexiones eléctricas dentro de la caja de conexiones (D) y fijar la sujeción (B) a la pared.
Figura 2.

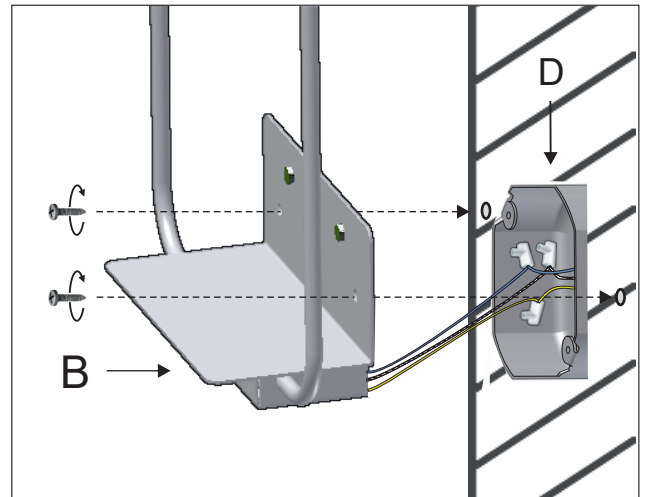


Figure 2B

3 - Attach the metal plate (A) back to the mounting bracket (B) using the magnets (C).
Figure 3.

3 - Volver a colocar la base metálica (A) para unirla de nuevo a la sujeción (B) mediante los imanes (C).
Figura 3.

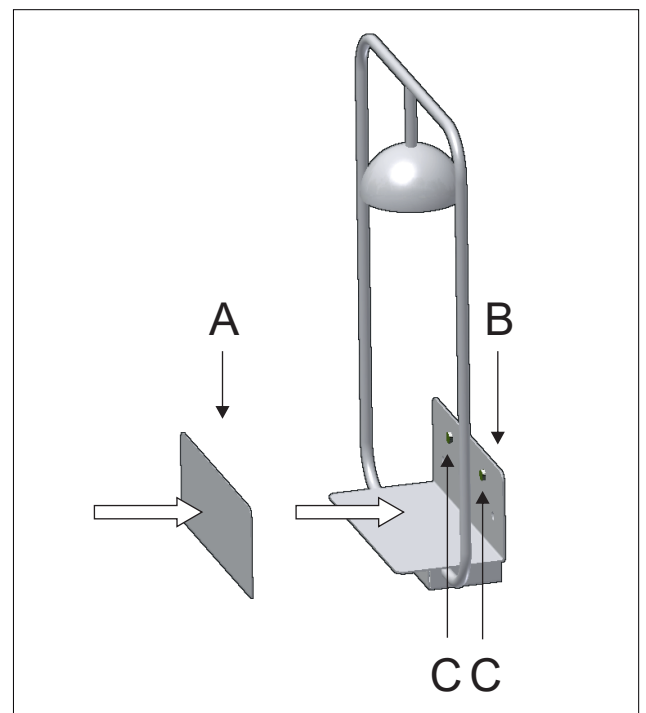


Figure 3