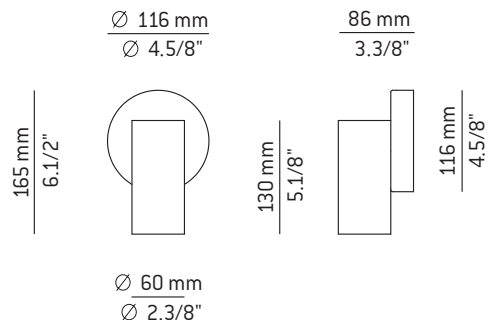
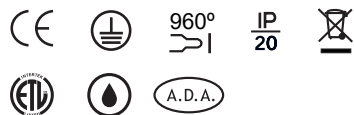


Metallic wall lamp with cylindrical shade.

Aplicque de pared metálico con pantalla cilíndrica.



**Warning**

PRODUCT IS TO BE INSTALLED BY A QUALIFIED ELECTRICIAN ONLY.  
 LE PRODUIT DOIT ÊTRE INSTALLÉ PAR UN ÉLECTRICIEN QUALIFIÉ UNIQUEMENT.  
 EL PRODUCTO DEBE SER INSTALADO SOLO POR UN ELECTRICISTA CUALIFICADO.

WE RECOMMEND READING THE INSTRUCTIONS ENTIRELY BEFORE STARTING YOUR INSTALLATION  
 PLEASE SAVE THESE INSTRUCTIONS SO THAT YOU CAN REFER TO THEM A LATER TIME

- \* Do not look directly into any LED source.
- \* Make sure the power has been disconnected before installing the fixture.
- \* Lighting fixtures should be installed only by qualified personnel.
- \* Assure yourself that the bulb never exceeds the maximum wattage specified on the label.
- \* For indoor use only.
- \* Do not use alcohol or solvents to clean the lamp.
- \* For your convenience, assembly by two people is recommended.

LE RECOMENDAMOS LEA LAS INSTRUCCIONES ANTES DE PROCEDER A LA INSTALACIÓN  
 GUARDE LAS INSTRUCCIONES PARA FUTURAS REFERENCIAS

- \* No mirar directamnete a los LED.
- \* Asegúrese de que la corriente está desconectada antes de conectar el aparato.
- \* El montaje de luminarias debe ser efectuado solamente por personal técnico.
- \* No utilizar bombillas con potencia superior a la indicada en la etiqueta.
- \* Únicamente para uso en interiores.
- \* Para limpieza no utilizar alcohol ni disolventes.
- \* Recomendamos la intervención de 2 personas para el montaje de la lámpara.



**UL 1598 ELECTRICAL INSTRUCTIONS FOR FLUSHMOUNTS, WALL SCONCES AND PENDANTS**

SAVE THESE INSTRUCTIONS. MIN 90C SUPPLY CONDUCTORS. CAUTION-RISK OF FIRE. USE STATED WATT OR SMALLER. CAUTION-RISK OF SHOCK. DISCONNECT POWER BEFORE SERVICING. TO REDUCE THE RISK OF A BURN DURING RELAMPING, ALLOW THE BULB TO COOL DOWN. SUITABLE FOR DAMP LOCATION. THIS PRODUCT MUST BE INSTALLED IN ACCORDANCE WITH THE APPLICABLE INSTALLATION CODE BY A PERSON FAMILIAR WITH THE CONSTRUCTION AND OPERATION OF THE PRODUCT AND THE HAZARD INVOLVED.

**WARNING:** ALL WIRES AND WIRE NUTS USED IN THE INSTALLATION MUST BE RATED 195F (90°C). FOR INDOOR USE ONLY. THESE PRODUCT MUST BE INSTALLED BY A QUALIFIED ELECTRICIAN.

**Assembly instructions / Instrucciones**

1 - Unscrew the upper screw (A) and separate the canopy (B) from the mounting bracket (C).  
 Figure 1.

1 - Desenroscar el tornillo superior (A) del tapapared (B) y liberar la sujeción (C).  
 Figura 1.

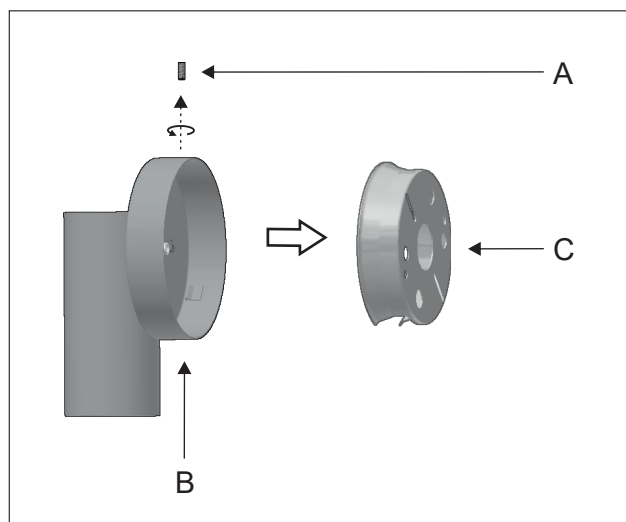


Figure 1

2A - WITHOUT JUNCTION BOX (INTERNATIONAL)

Insert the power cables (D) through the central hole of the mounting bracket (C) and fix it to the wall. Connect the electrical wires.

Figure 2A.

2A - SIN CAJA DE CONEXIONES (INTERNACIONAL)

Introducir los cables de la red (D) por el agujero central de la sujeción (C) y fijarla a la pared. Realizar las conexiones eléctricas.

Figura 2A.

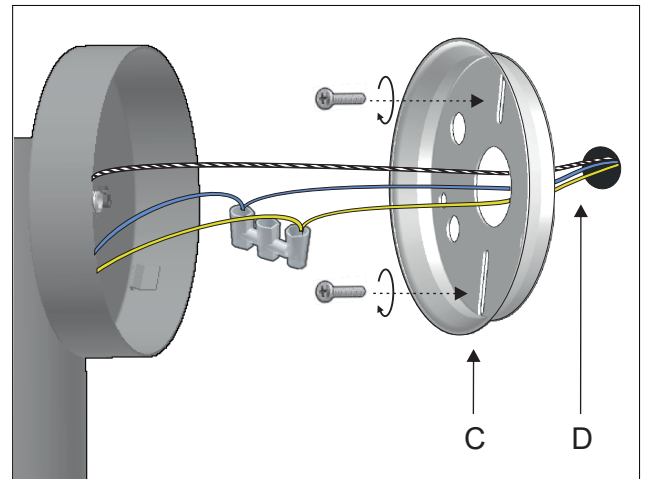


Figure 2A

2B - WITH JUNCTION BOX (USA)

Insert the electrical wires (E) through the central hole of the mounting bracket (C) and make the connections inside of the junction box (F). Fix the mounting bracket to the junction box.

Figure 2B.

2B - CON CAJA DE CONEXIONES (USA)

Pasar los cables de eléctricos (E) por el agujero central de la sujeción (C) y realizar las conexiones dentro de la caja de conexiones (F). Fijar la sujeción a la caja de conexiones.

Figura 2B.

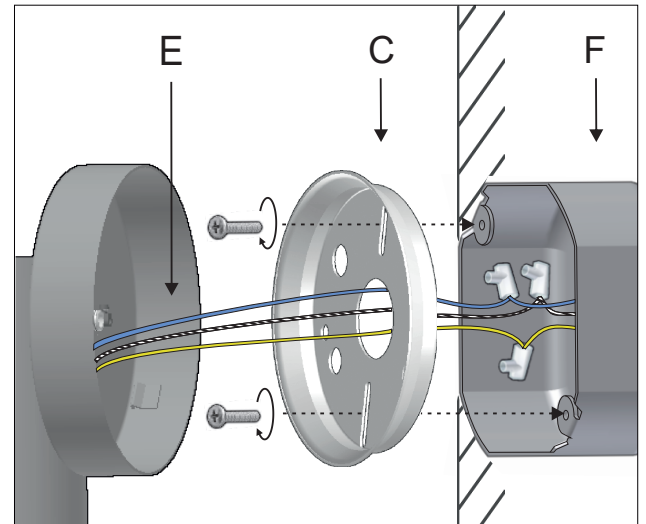


Figure 2B

3 - Attach the canopy (B) back to the mounting bracket (C) and fix it with the screw (A) that was previously removed.

Figure 3.

3 - Volver a colocar el tapapared (B) en la sujeción (C) y fijarla con el tornillo (A) liberado anteriormente.

Figura 3.

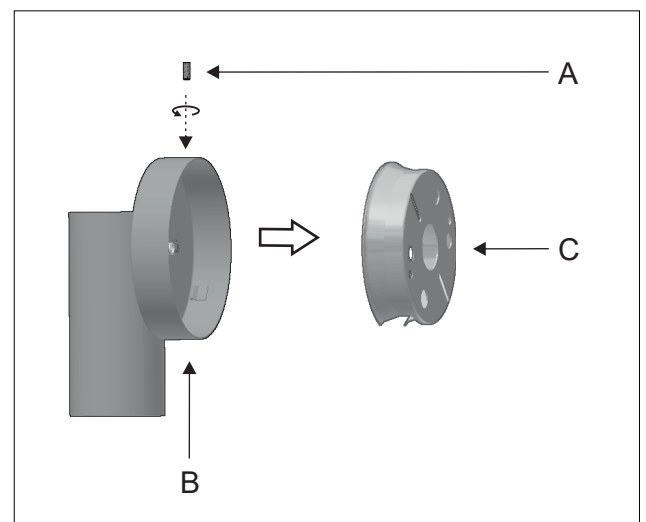


Figure 3