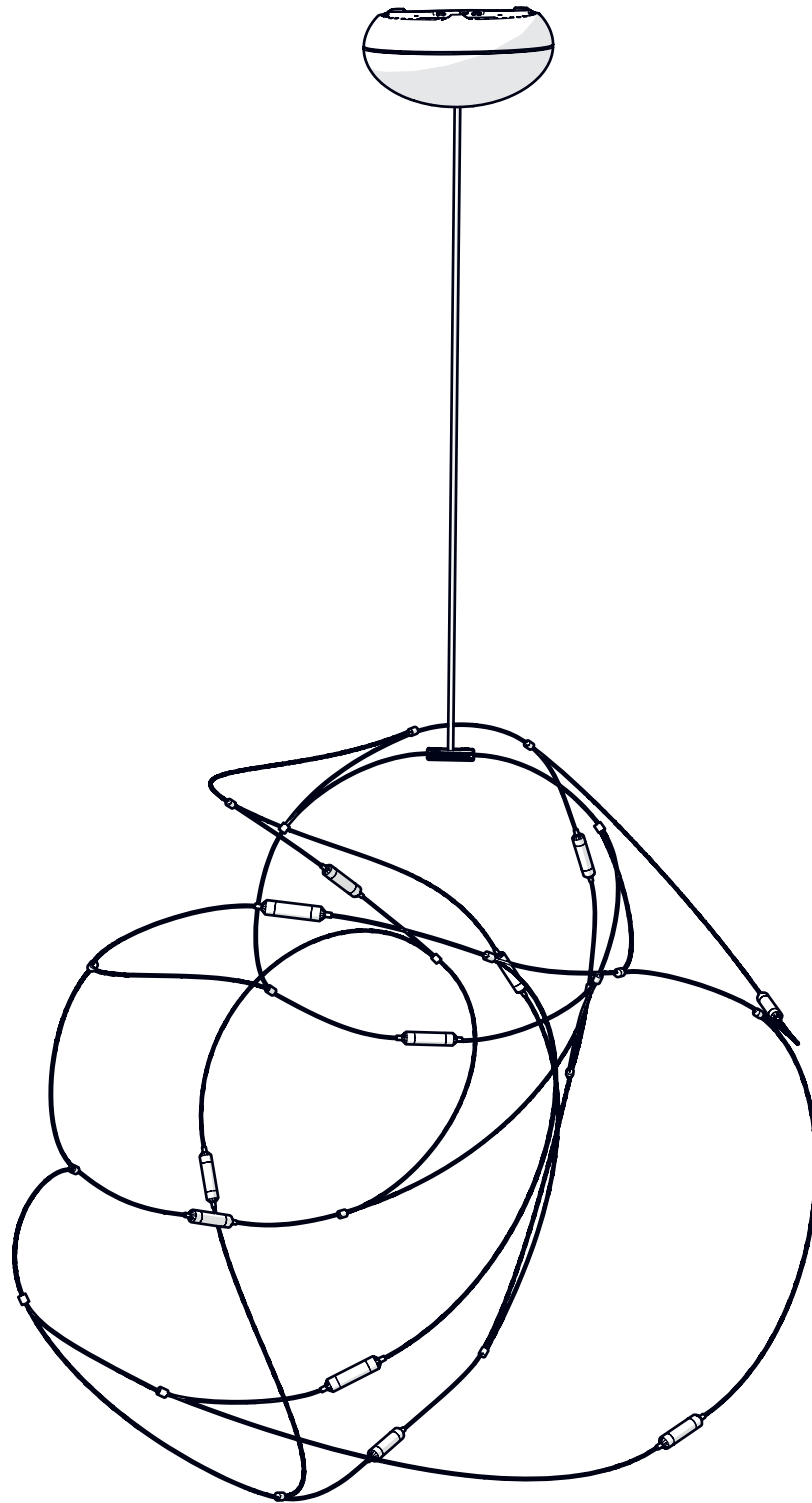


m o o o i

Flock of Light



CE

visit [www.mooui.com](http://www.mooui.com) for more information about the collection

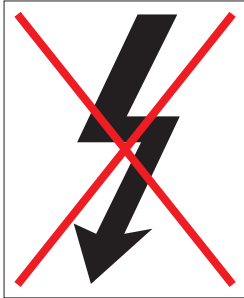
# m o o o i

## Flock of Light

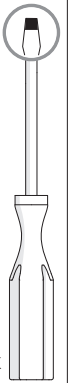
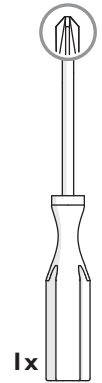
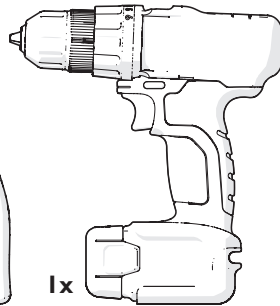
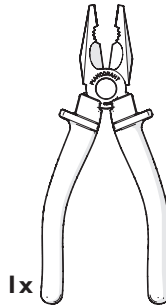
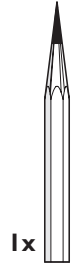
i



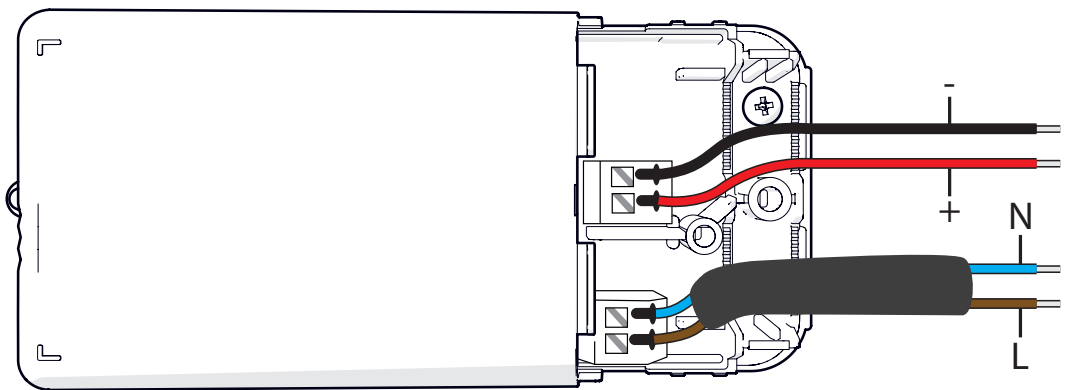
PLEASE HANDLE THIS PRODUCT WITH CARE. NEVER PLACE THE LAMP ON THE GROUND. THIS MAY DAMAGE THE PRODUCT.



NOT INCLUDED



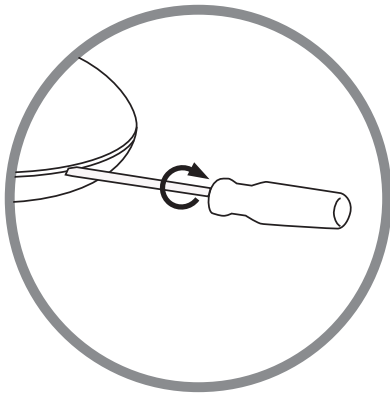
i



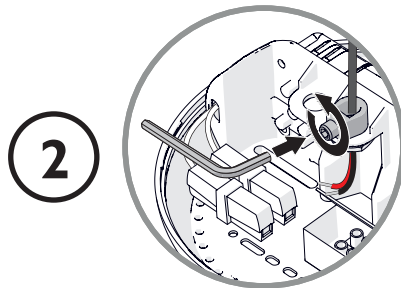
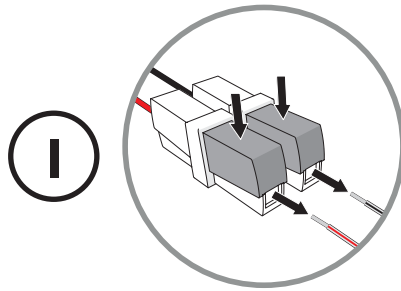
# moooi

Flock of Light

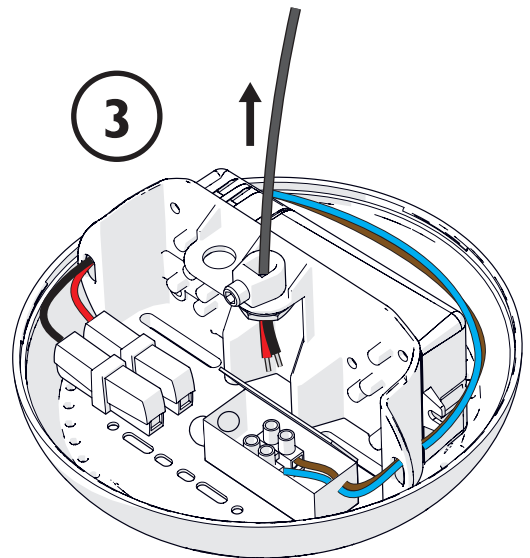
1



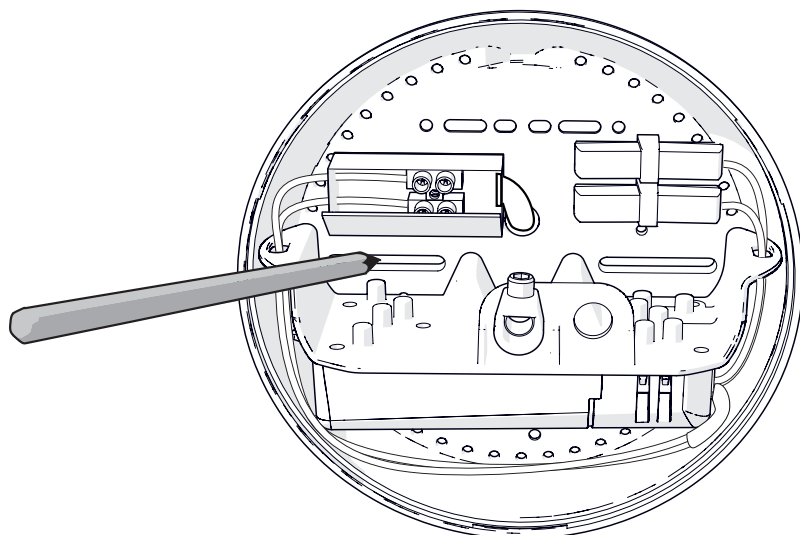
2



3



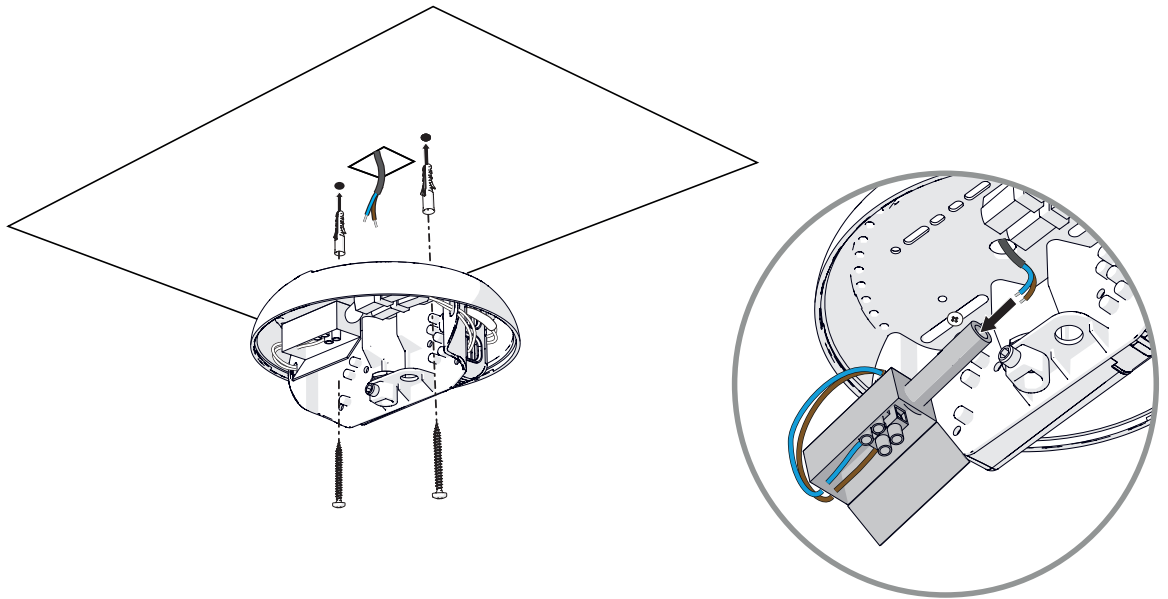
3



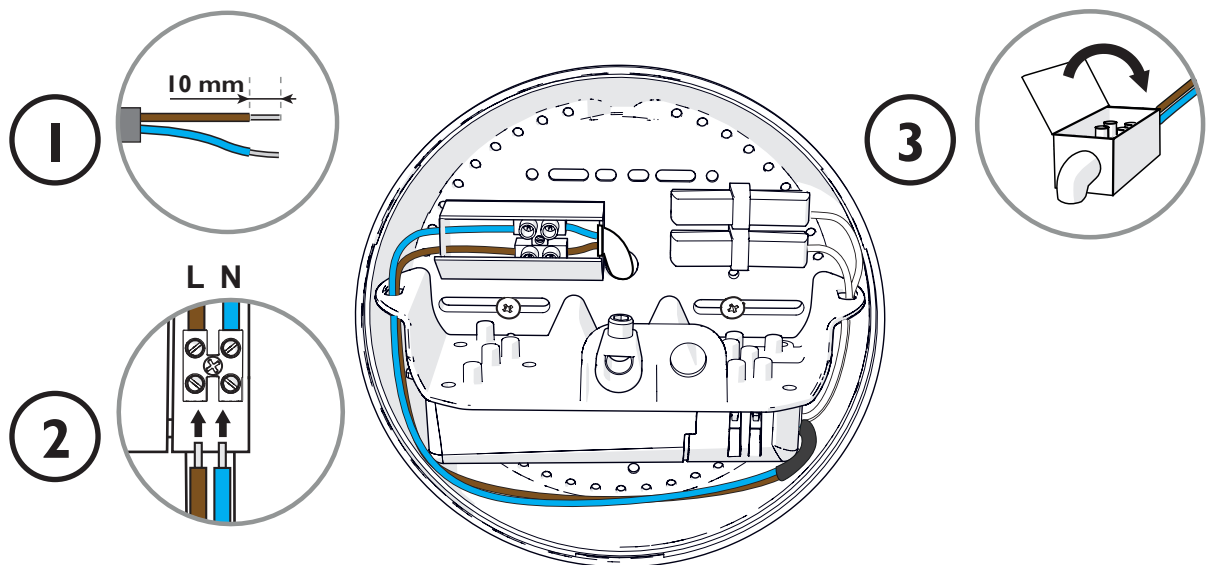
# moooi

## Flock of Light

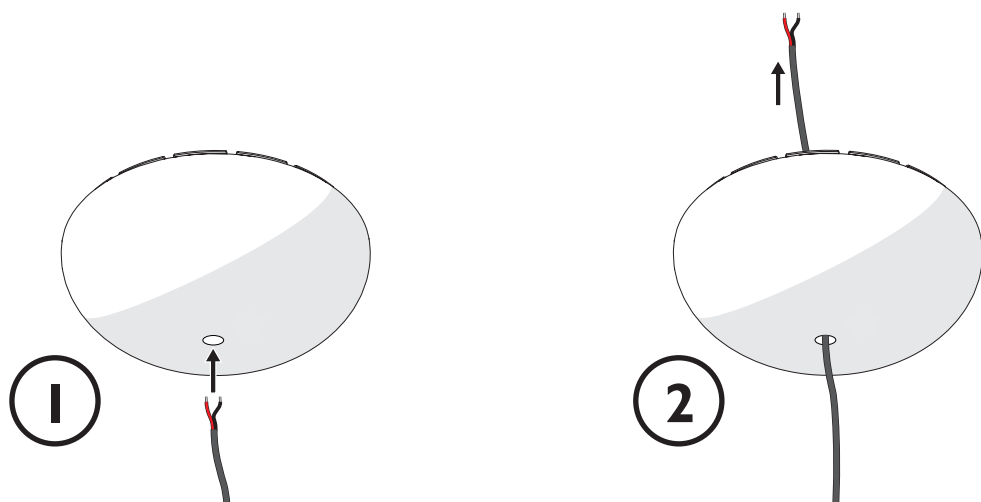
4



5



6

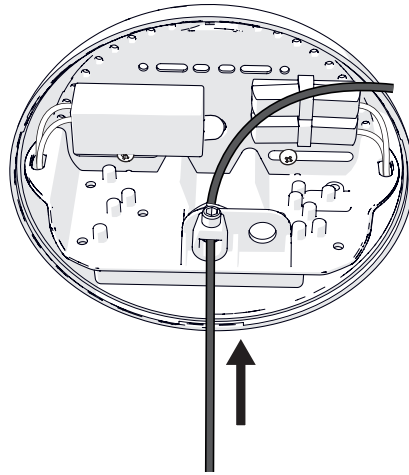


visit [www.moooi.com](http://www.moooi.com) for more information about the collection

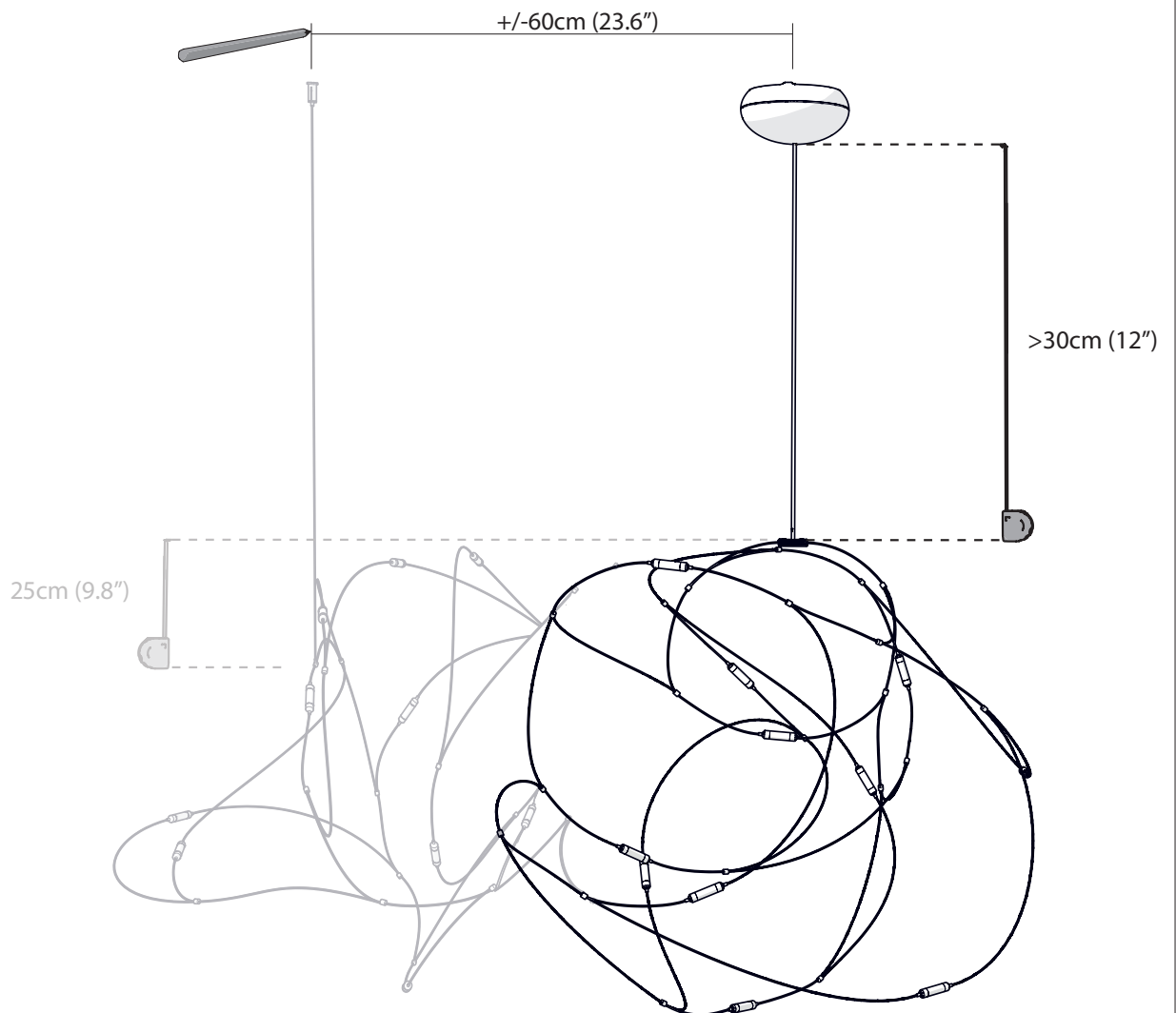
# m o o o i

Flock of Light

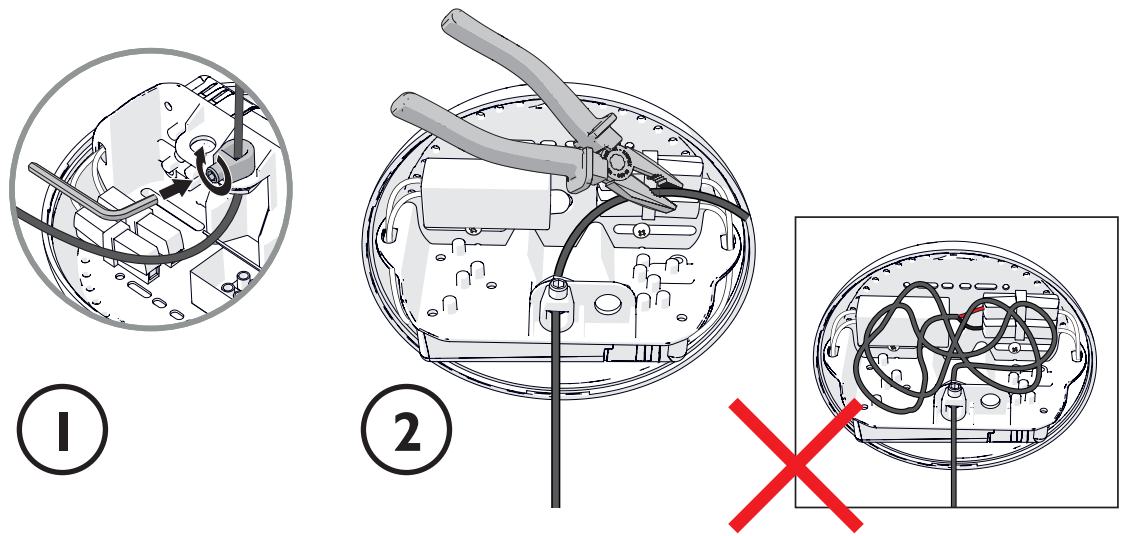
7



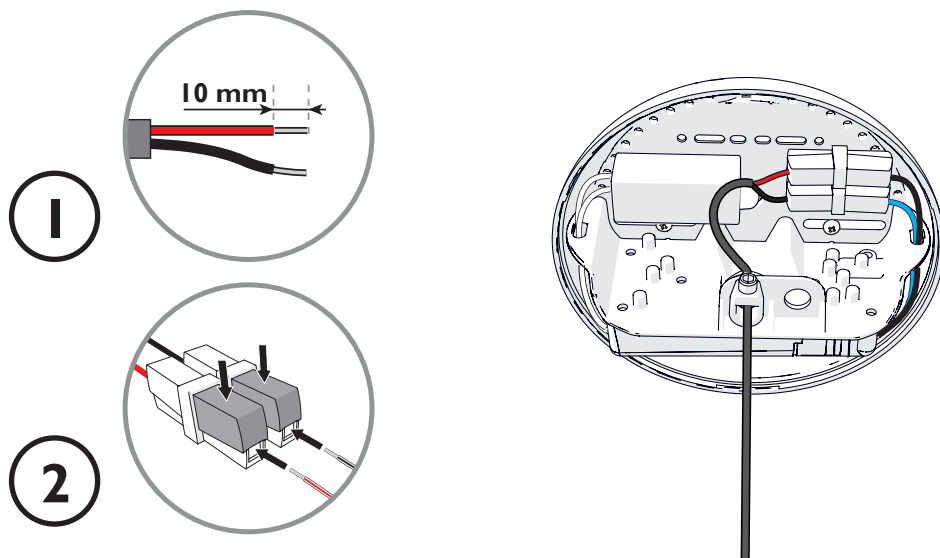
8



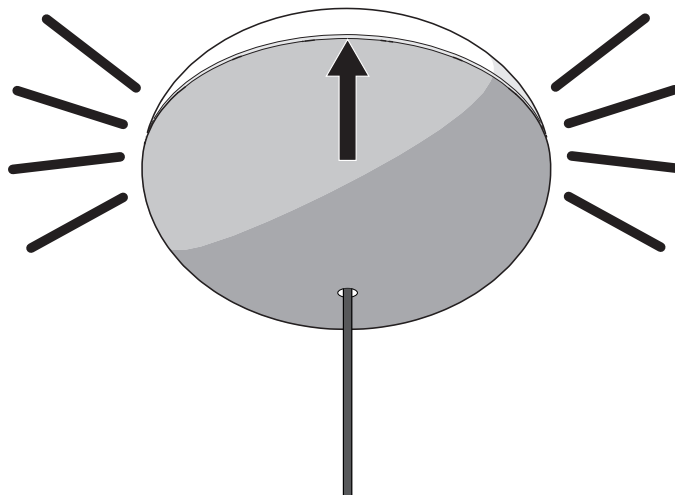
9



10



11



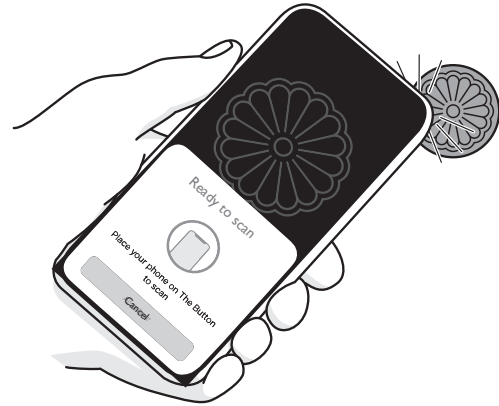
# moooi

## Flock of Light

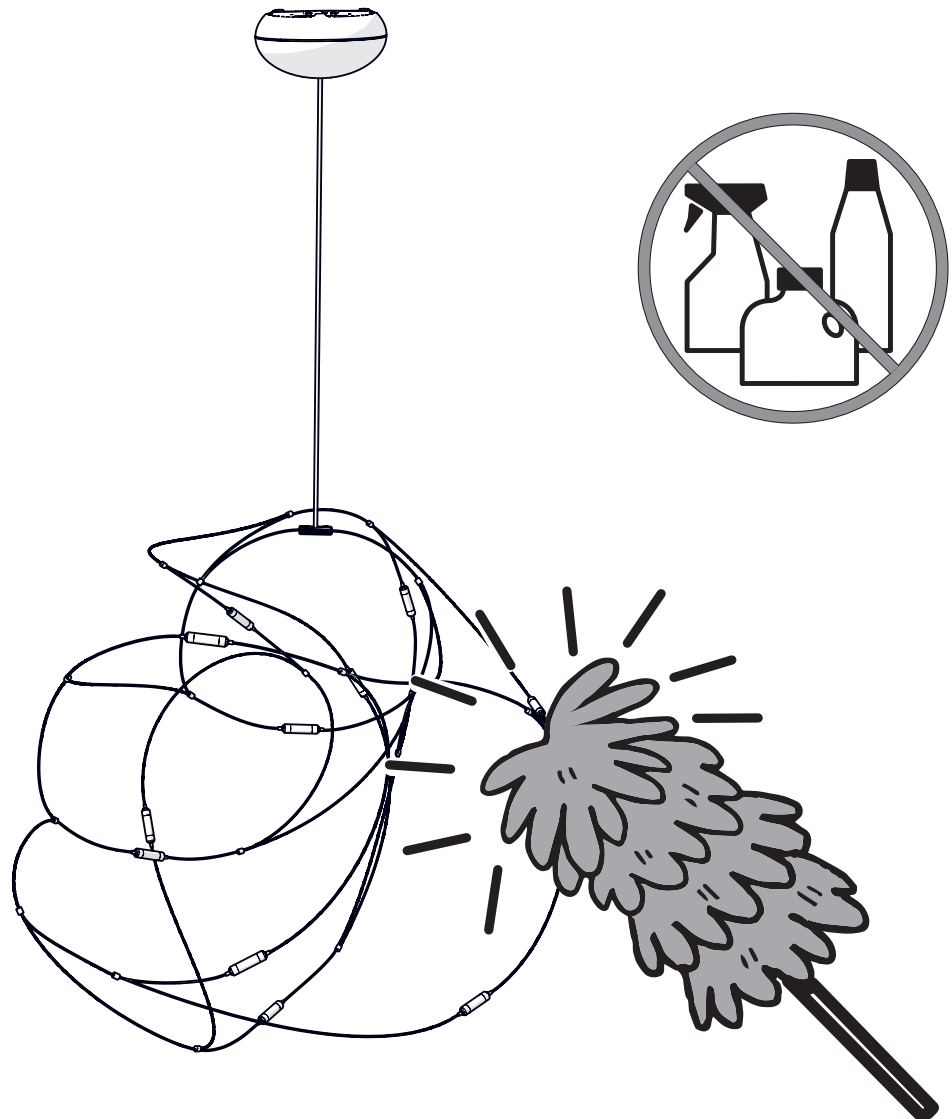
i

1 WWW.MOOOI.COM/  
THE-BUTTON

2 SCAN AND REGISTER



i



visit [www.moooi.com](http://www.moooi.com) for more information about the collection

Thank you!



# Ceiling Canopy (Pebble III)



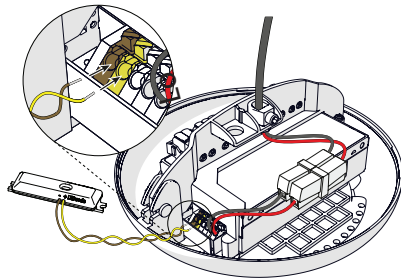
**WIDTH** 18,5cm | 7.28"  
**HEIGHT** 8cm | 3.15"  
**DEPTH** 18,5cm | 7.28"  
**DIAMETER** 18,5cm | 7.28"  
**MATERIAL** Polycarbonate 5VA  
**DRIVER** EldoLED Solodrive SL0560  
**INPUT VOLTAGE** 120 - 250V  
**INPUT FREQUENCY** 50/60Hz  
**OUTPUT POWER** 50W MAX  
**OUTPUT CURRENT** Constant current, programmed  
**DATASHEET** Visit [EldoLED.com](http://EldoLED.com) for full driver datasheet

## DIMMING & LIGHTING CONTROL

### Wireless Wall Switch

With our Wireless Wall Switch, you'll have full control over your Moooi lighting design with one touch. Our Wireless Wall Switch comprises two components, a wall switch and radio device to put in the canopy of your Moooi lighting design. The wall switch can be integrated in System 55 or Decora style wall switches. The Wireless Wall Switch communicates via Bluetooth with the radio device in the luminaires canopy. Within moments you can enjoy full and fluent dimming, all the way to dark.

The Wireless Wall Switch and radio devices are sold separately via [moooi.com](http://moooi.com), our shops and dealers.



Mains / ELV dimming is not possible.  
The Wireless Wall Switch is advised in this case.

 **WARNING! ONLY USE THIS PEBBLE III FOR THE PRODUCT STATED ON THE LABEL INSIDE.**

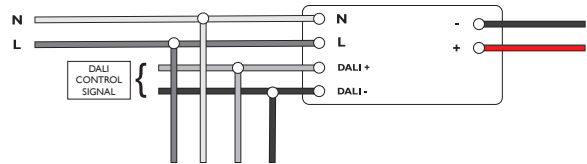
 **WARNING! RISK OF ELECTRICAL SHOCK.**

 **DISCONNECT POWER BEFORE WIRING.**

 **MAKE SURE THE DIMMER AND DRIVER ARE COMPATIBLE.**

### DALI dt6

The luminaire is dimmable by integrating it into a DALI network. This is an universal and professional standard in home automation systems with endless control possibilities and ease. We advise to hire a professional to integrate the luminaire into your DALI network. DALI dt6 can also be used for commercially available converters, enabling the product to be integrated in 3rd party smart home systems.



### Push / Pulse / Switch dim on line voltage

The luminaire is dimmable by using an external momentary switch or push button switch. The switch is usually mounted on an existing wall socket. In some cases a phase or control wire needs to be added to your home's wiring. The switch should be suitable for use with line voltage and of the type 'normal off, momentary on'. The luminaire dims perfectly when the switch makes and holds contact. A short press switches between on and off.

