



Description

The Whistle collection is, quite literally, a living reference to the work of glassmakers, as inspiration for the design was taken from the blowpipe, which in Czech is known as a glassmaker's whistle. The lucid body of the piece traces the silhouette of a cone of light, and a distinct spotlight with hand-pressed metal shield constitutes its imaginary heart.



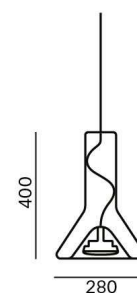
Tech. description The light consists of a glass body with Brokis connector and lead cable with connector. The bottom section comprises a metal reflector with GX53 light source socket. The light includes a metal ceiling canopy.

Colours options: https://brokis.sharepoint.com/:b:/s/brokis_sp/EaHwFEnl6HxEoPmr5mCDnpABLG79_ii6-ILIVSIXJJ9oCA

CONSTRUCTION SPECIFICATION

Weight:	2.7 kg
Construction material:	glass, metal
Cord length [mm]:	2000 mm
Mounting:	Ceiling
Environment:	Indoor

DIMENSIONS [mm]



ELECTRICAL SPECIFICATION

Input voltage [V]:	230 V
Frequency [Hz]:	50-60 Hz
Max. power [W]:	15 W LED
Coverage IP:	20
Socket:	GX53
Light source:	-
Energy class:	A+ to B depending on light source

CERTIFICATIONS





CM2353

Socket	GX53
Type	LED
Lamp wattage [W]	10 W
Input voltage [V]	220 - 240 VAC
Energy class	A+
Flux [lm]	700 lm
Light colour [K]	2700 K
CRI	90+
Lifespan [h]	25000h
Dimmable	yes
Dimensions h x w [mm]	39 x 90 mm



DATASHEET

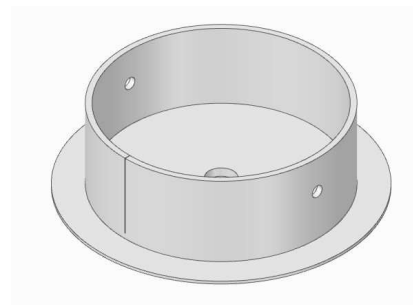
RECOMENDED CANOPY



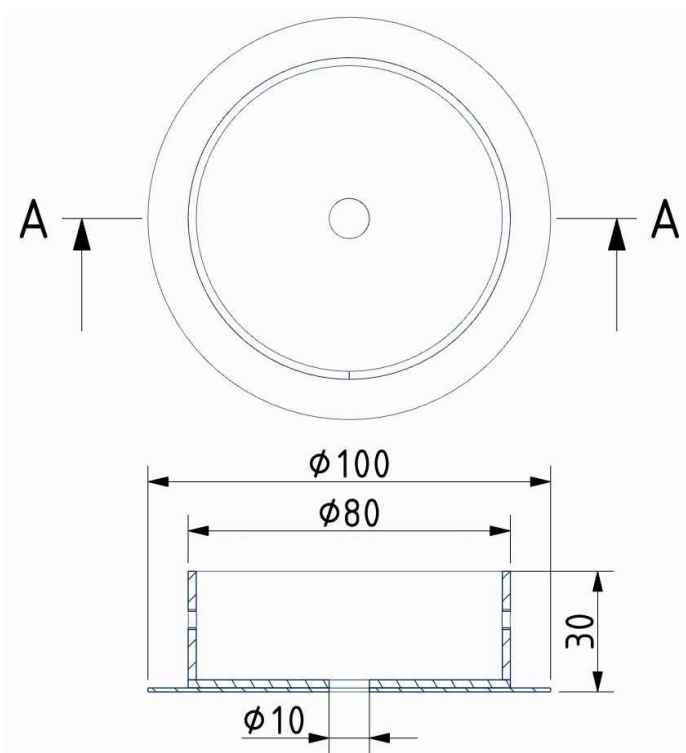
Download

CEILING CANOPY

Dimensions O x w [mm]	100 x 30 mm
Weight [kg]	0,25 kg
Material	metal



Drawing



Canopy bracket

