



PROJECT _____

TYPE _____

NOTES _____

QUANTITY _____

DATE _____



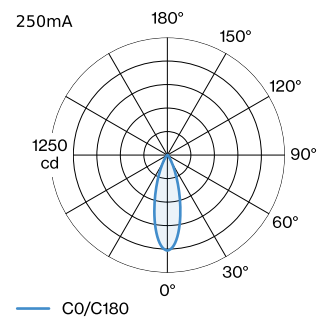
GENERAL

Ceiling _____
 Recessed _____
 Black Matt _____
 RAL 9005 ^a _____
 front IP44 _____
 back IP20 _____
 IC rated _____
 Interior _____
 CIE flux code: 95 99 100 100 100 _____

MEASURED DRIVER

250mA _____
 370 lm _____
 5.6 W _____

LIGHT DISTRIBUTION



LED

3000 K _____
 CRI ≥ 90 _____
 L80 / 50000 h _____
 initial MacAdam ≤ 2 SDCM _____

OPTICAL

Standard _____
 beam angle 32° _____

ELECTRICAL

excl. driver _____
 18 V _____
 inset 4.2 W _____
 Class 3 _____

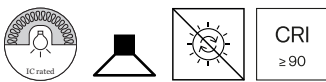
PHYSICAL

diameter 45 mm _____
 height 42 mm _____
 0.06 kg _____
 wire springs _____

CUTOUT

diameter 40-41 mm _____
 min. ceiling thickness 4 mm _____
 max. ceiling thickness 25 mm _____
 recessed depth 68 mm _____

^a Colour may deviate slightly due to production conditions.



Round ceiling recessed downlight made from die-cast aluminium; with trim; surface Black Matt; powder coated, matt texture; RAL 9005; installation without tools using wire springs; suitable for ceiling thickness of 4-25 mm; recessed depth 68 mm; with COB (Chip on Board) technology for maximum efficiency; light colour 3000 K; binning initial MacAdam ≤ 2 SDCM; CRI ≥ 90; beam angle 32°; degree of protection IP44; Class 3; IC rated; driver not included; light source not replaceable;





CONE DIAGRAM

standard 31° 250mA

h (m)	E0° (lx)	ø (m)
1	1020	0.55
2	250	1.10
3	110	1.65
4	60	2.20
5	40	2.76

Maintenance Factor

Operating Time [h]	10.000	20.000	30.000	40.000	50.000
LLMF	0.96	0.92	0.88	0.84	0.81
LSF	1	1	1	1	1

MF $LMF \times RSMF \times LLMF \times LSF$

MF Maintenance Factor

LMF^a Luminaire Maintenance Factor

RSMF^a Room Surface Maintenance Factor

LLMF Lamp Lumens Maintenance Factor

LSF Lamp Survival Factor

^aAccording to "CIE 97, Maintenance of indoor electric lighting systems", 2005, ISBN 3-900-734-34-8. The values must be determined by the planner.

ELECTRICAL ACCESSORIES

Driver

Type	Voltage	L·W·H (MM)	Item number
5W 250mA 13-26V phase-cut dim	13-26V	69-34-22	90226201
7.2W 250mA 16-29V phase-cut dim	16-29V	122-41-23	90226401
13W 250mA 2.5-52V DALI-2	2.5-52V	144-33-21	90246501
10W 250mA 6-40V DALI	6-40V	124-31-21	90249402