

PRODUCT SHEET

Mercury



WOUD

Mercury wall light

Designed by Jeanette Holdgaard

The Mercury light exists at the intersection of art and design, glowing like a beautiful lunar eclipse when illuminated. This wall-mounted lamp features a shade that covers the light source. The indirect light on the shade can be dimmed to create a muted atmosphere, enhancing its aesthetic appeal.

Year

2016

Category / type

Lighting / wall lamp

Material

Painted metal (structured surface)

Assembly instructions

Access the manual [here](#)

Specifications

IP20, Class II, A++

Versions available

CE

Cord

Black fabric covered cord (2100 mm/82.6")

Bulb

Not included

4 x G9 5W LED bulbs or 3.5W dimmable bulbs

Replaceable

Dimmer

On shade (touch sensitive)

Country of origin

China

Packaging

No. of boxes: 1 box

L 850 x D 440 x H 180 mm

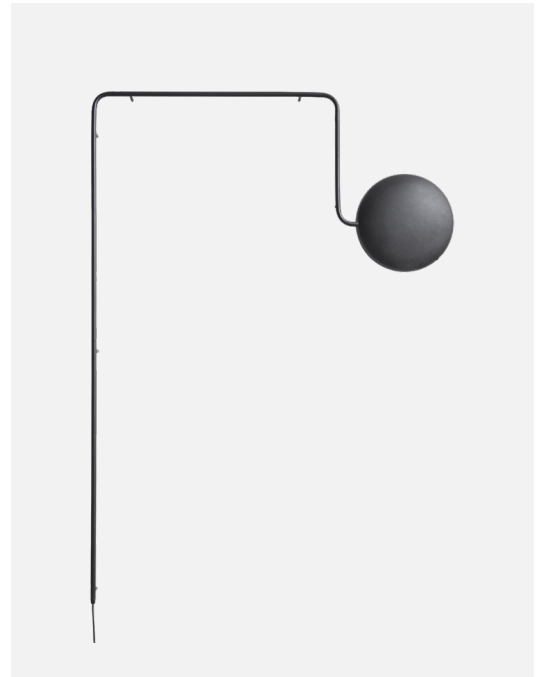
L 33.4 x D 17.3 x H 7.0"

Weight

5 kg (6 kg incl. packaging)

Care instructions

For daily care, wipe off with a clean, moist cloth followed by a soft dry cloth. All our recommended care guides can be downloaded [here](#).



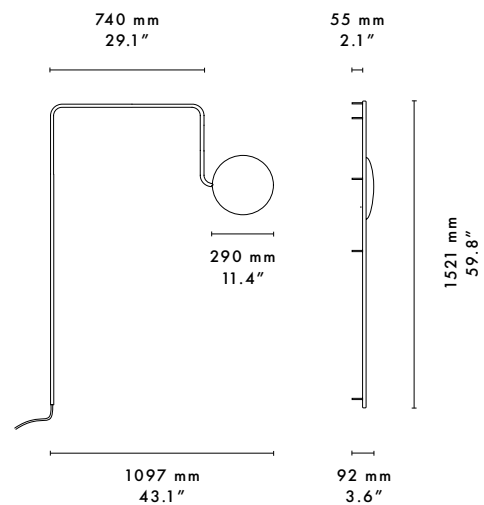
Item no / colour

137007 Black

Product dimensions

L 1097 x D 92 x H 1521 mm

L 43.1 x D 3.6 x H 59.8"



Mercury wall light

Designed by Jeanette Holdgaard

English text

The Mercury light is an art piece on the wall. When the light is on, Mercury glows as a beautiful lunar eclipse. The lamp is mounted on the wall with a shade that covers the light source. On the shade, the indirect light can be dimmed to create a muted atmosphere. With its graphic expression, the lamp creates a work of art whether the light is on or off.

Designed by Jeanette Holdgaard

A talented danish designer and art director at WOOD. With a modern expression in mind, she aims to create graphical and sculptural designs that reflects the perception of the society. She has great attention to the promotion of new design language and the combination of art and design.

Danish text

Mercury er som et stort kunstværk på væggen. Når lyset er tændt, skaber skærmen en illusion af en smuk måneformørkelse. Lampen er monteret på væggen med en cirkulær skygge, der skjuler lyskilden. På siden af skyggen kan det indirekte lys dæmpes for at skabe en rolig atmosfære. Med sit grafiske udtryk er Mercury et kunstværk, uanset om lyset er tændt eller slukket.

Designet af Jeanette Holdgaard

En udforskende dansk designer, som er dimittend fra VIA University College med speciale i design og møbler. I 2021 etablerede hun tegnestuen, Loke Studio, som beskæftiger sig med grafisk-, web- og produktdesign. Med et moderne visuelt udtryk i tankerne, tegner hun grafiske og skulpturelle designs, der afspejler det aktuelle samfund.