



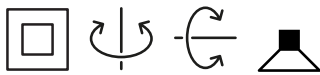
PROJECT _____

TYPE _____

NOTES _____

QUANTITY _____

DATE _____



Round ceiling recessed luminaire made from aluminium; surface White Matt; powder coated, matt texture; RAL 9010; installation without tools using wire springs; suitable for ceiling thickness of 4-25 mm; recessed depth 110 mm; lamp socket GU10; lamp type PAR16; max. 12W; 100 - 240 V; 355° rotatable and 35° tiltable; degree of protection IP20; Class 2; lamp not included;



GENERAL

Ceiling _____
 Recessed _____
 tilt max 35 ° _____
 rotation 355 ° _____
 White Matt _____
 RAL 9010 ^a _____
 IP20 _____
 Interior _____

MEASURED LAMPS

PAR16 LAMP 2700K CRI90 _____
 495 lm _____
 6.5 W _____

PAR16 LAMP 3000K CRI90 _____
 540 lm _____
 6.5 W _____

LED

lamp PAR16 _____
 socket GU10 _____
 max. per socket 12.0 W _____
 CRI ≥ 90 _____

ELECTRICAL

100 - 240 V _____
 Class 2 _____

PHYSICAL

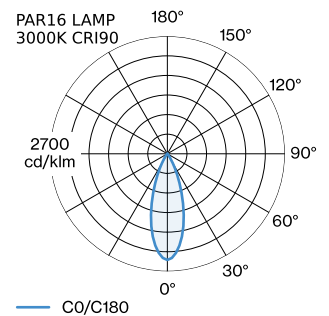
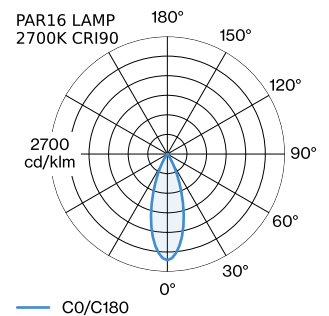
diameter 110 mm _____
 height 103 mm _____
 0.32 kg _____
 wire springs _____

CUTOUT

diameter 102-104 mm _____
 min. ceiling thickness 4 mm _____
 max. ceiling thickness 25 mm _____
 recessed depth 110 mm _____

^a Colour may deviate slightly due to production conditions.

LIGHT DISTRIBUTION





ELECTRICAL ACCESSORIES

LED LAMPS

Colour	Item number
Black Texture	W901228B3
Black Texture	W901228B5

LAMPS

PAR16 LED Lamp

Type	Colour	Ø·H (MM)	Item number
2700K >90 CRI GU10	White	50·60	901228W3
3000K >90 CRI GU10	White	50·60	901228W5
2700K >80 CRI GU10	Silver	50·60	905227S2
3000K >80 CRI GU10	Silver	50·60	905227S4