



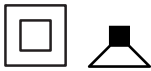
PROJECT _____

TYPE _____

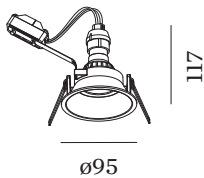
NOTES _____

QUANTITY _____

DATE _____



Round ceiling recessed downlight made from die-cast aluminium; surface Black Matt; powder coated; matt texture; RAL 9011; installation without tools using wire springs; suitable for ceiling thickness of 4-25 mm; recessed depth 125 mm; lamp socket GU10; lamp type PAR16; max. 12W; 100 - 240 V; degree of protection IP44; Class 2; lamp not included;



LUMINAIRE

Ceiling
Recessed
Black Matt
RAL 9011 ^a
front IP44
back IP20
IC rated
Interior

MEASURED LAMPS

PAR16 LAMP 3000K CRI90
405 lm
6.5 W
PAR16 LAMP 2700K CRI90
390 lm
6.5 W

LAMP

lamp PAR16
socket GU10
max. per socket 12.0 W
CRI ≥ 90

Electrical

100 - 240 V
Class 2

Physical

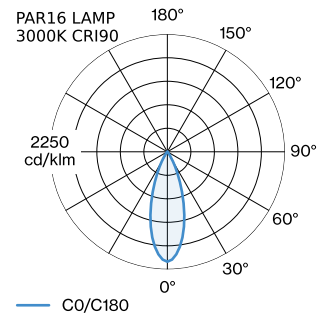
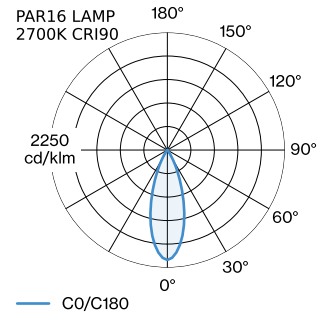
diameter 95 mm
height 117 mm
0.16 kg
wire springs

Cutout

diameter 86-89 mm
min. ceiling thickness 4 mm
max. ceiling thickness 25 mm
recessed depth 125 mm

^a Colour may deviate slightly due to production conditions

LIGHT DISTRIBUTION



[112620B0] The technical data represent rated values for an ambient temperature of 25°C. The data values for the luminous flux are initially subject to a tolerance of +/- 10%, those for the electrical connected load are initially subject to a tolerance of +/- 10%, and those for the colour temperature are initially subject to a tolerance of +/- 150 K. No liability is assumed for typographical or printing errors. The general terms and conditions of Wever & Ducré BV apply.



ELECTRICAL ACCESSORIES

LED LAMPS

Type	Colour	Voltage	Item number
	Black Texture		W901228B3
	Black Texture		W901228B5

LAMPS

PAR16 LED Lamp

Type	Colour	Voltage	Ø·H (MM)	Item number
2700K >90 CRI GU10	White		50-60	901228W3
3000K >90 CRI GU10	White		50-60	901228W5
2700K >80 CRI GU10	Silver		50-60	905227S2
3000K >80 CRI GU10	Silver		50-60	905227S4