



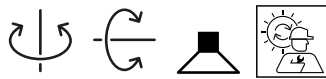
PROJECT _____

TYPE _____

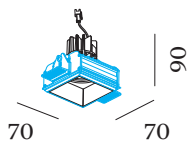
NOTES _____

QUANTITY _____

DATE _____



Squared ceiling recessed luminaire made from aluminium; surface Black Matt; powder coated, matt texture; RAL 9011; recessed depth 95 mm; with COB (Chip on Board) technology for maximum efficiency; light colour 2700 K; binning initial MacAdam ≤ 2 SDCM; CRI ≥ 90 ; beam angle 15°; 355° rotatable and 35° tiltable; degree of protection IP20; Class 3; driver not included; light source replaceable by Wever & Ducré or by a professional with explicit authorization;



GENERAL

Ceiling _____
 Recessed _____
 tilt max 35° _____
 rotation 355° _____
 Black Matt _____
 RAL 9011^a _____
 IP20 _____
 Interior _____
 CIE flux code: 91 97 99 100 100 _____

OUTPUT

350mA _____
 540 lm _____
 8.3 W _____
 500mA _____
 730 lm _____
 12.2 W _____

LED

2700 K _____
 CRI ≥ 90 _____
 L80 / 55000h _____
 initial MacAdam ≤ 2 SDCM _____

OPTICAL

Narrow _____
 beam angle 15° _____
 UGR ≤ 19 _____

ELECTRICAL

excl. driver _____
 17 V _____
 inset 6.0 / 8.8 W _____
 Class 3 _____

PHYSICAL

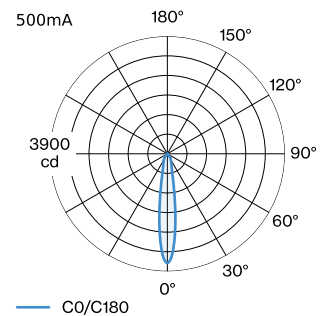
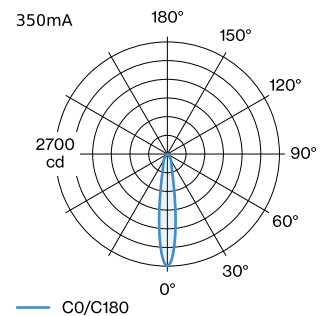
length 70 mm _____
 width 70 mm _____
 height 90 mm _____
 0.43 kg _____
 alu plasterkit _____

CUTOUT

length 86 mm _____
 width 86 mm _____
 min. ceiling thickness 7 mm _____
 max. ceiling thickness 32 mm _____
 recessed depth 95 mm _____

^a Colour may deviate slightly due to production conditions.

LIGHT DISTRIBUTION





Maintenance Factor

Operating Time [h]	10.000	20.000	30.000	40.000	50.000
LLMF	0.96	0.92	0.88	0.85	0.81
LSF	1	1	1	1	1

MF LMF × RSMF × LLMF × LSF

MF Maintenance Factor

LMF^a Luminaire Maintenance Factor

RSMF^a Room Surface Maintenance Factor

LLMF Lamp Lumens Maintenance Factor

LSF Lamp Survival Factor

^aAccording to "CIE 97, Maintenance of indoor electric lighting systems", 2005, ISBN 3-900-734-34-8. The values must be determined by the planner.

ELECTRICAL ACCESSORIES

Driver

Type	Voltage	L·W·H (MM)	Item number
10W 500mA 11-20V	11-20V	100-43-23	90214405
10W 500mA 13-20V	13-20V	65-39-20	90214406
10W 500mA 3-20V phase-cut dim	3-20V	102-49-29	90224402
10W 500mA 12-21V phase-cut dim	12-21V	115-41-25	90224403
20W 500mA 3-40V DALI	3-40V	116-40.5-22	90244604
24W 500mA 6-49V DALI-2	6-49V	143-43-30	90244701

OTHER ACCESSORIES

Metal spring clip

Type	Ø (MM)	Item number
MR16 LED PAR16 max. 12W	59	90019700

Spring clip

Type	Colour	Ø (MM)	Item number
MR16 LED PAR16 max. 12W	Black	59	900198B0
MR16 LED PAR16 max. 12W	Champagne	59	900198M0
MR16 LED PAR16 max. 12W	White	59	900198W0

MOUNTING ACCESSORIES

Plasterkit

Type	L·W·H (MM)	Item number
STRANGE 1.0 SNEAK TRIMLESS 1.0	81-81-42	90017120