



PROJECT _____

TYPE _____

NOTES _____

QUANTITY _____

DATE _____



Round ceiling recessed downlight made from die-cast aluminium; surface Black Matt; powder coated, matt texture; RAL 9005; installation without tools using wire springs; suitable for ceiling thickness of 4-38 mm; recessed depth 90 mm; with COB (Chip on Board) technology for maximum efficiency; light colour 2700 K; binning initial MacAdam ≤ 2 SDCM; CRI ≥ 90; beam angle 34°; degree of protection from below IP44; from above IP20; Class 3; driver not included; light source replaceable by Wever & Ducré or by a professional with explicit authorization;



GENERAL

Ceiling _____
 Recessed _____
 Black Matt _____
 RAL 9005^a _____
 front IP44 _____
 back IP20 _____
 Interior _____
 CIE flux code: 98 100 100 100 100 _____

LED

2700 K _____
 CRI ≥ 90 _____
 L80 / 55000h _____
 initial MacAdam ≤ 2 SDCM _____

OPTICAL

Standard _____
 beam angle 34° _____

ELECTRICAL

excl. driver _____
 17 V _____
 inset 6.0 / 8.8 W _____
 Class 3 _____

PHYSICAL

diameter 84 mm _____
 height 90 mm _____
 0.17 kg _____
 wire springs _____

CUTOUT

diameter 76-79 mm _____
 min. ceiling thickness 4 mm _____
 max. ceiling thickness 38 mm _____
 recessed depth 90 mm _____

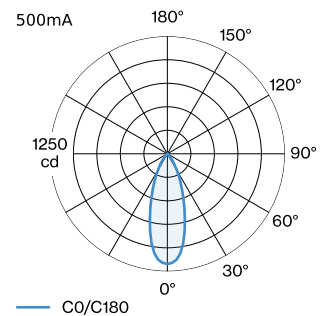
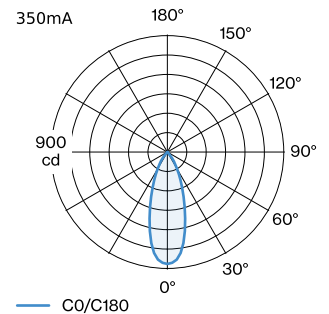
^a Colour may deviate slightly due to production conditions.

OUTPUT

500mA _____
 540 lm _____
 12.2 W _____

350mA _____
 400 lm _____
 8.3 W _____

LIGHT DISTRIBUTION





CONE DIAGRAM

standard 36° 350mA			standard 36° 500mA		
h (m)	E0° (lx)	ø (m)	h (m)	E0° (lx)	ø (m)
1	865	0.65	1	1170	0.65
2	216	1.29	2	290	1.29
3	96	1.94	3	130	1.94
4	54	2.58	4	70	2.58
5	35	3.23	5	50	3.23

Maintenance Factor

Operating Time [h]	10.000	20.000	30.000	40.000	50.000
LLMF	0.96	0.92	0.88	0.85	0.81
LSF	1	1	1	1	1

MF	$LMF \times RSMF \times LLMF \times LSF$	RSMF ^a	Room Surface Maintenance Factor
MF	Maintenance Factor	LLMF	Lamp Lumens Maintenance Factor
LMF ^a	Luminaire Maintenance Factor	LSF	Lamp Survival Factor

^aAccording to "CIE 97, Maintenance of indoor electric lighting systems", 2005, ISBN 3-900-734-34-8. The values must be determined by the planner.

ELECTRICAL ACCESSORIES

Driver

Type	Voltage	L·W·H (MM)	Item number
10W 500mA 11-20V	11-20V	100-43-23	90214405
10W 500mA 13-20V	13-20V	65-39-20	90214406
24W 500mA 5-49V IP68	5-49V	122-54-26	90214702
10W 500mA 3-20V phase-cut dim	3-20V	102-49-29	90224402
10W 500mA 12-21V phase-cut dim	12-21V	115-41-25	90224403
20W 500mA 3-40V DALI	3-40V	116-40.5-22	90244604
24W 500mA 6-49V DALI-2	6-49V	143-43-30	90244701

[152461B3] The technical data represent rated values for an ambient temperature of 25°C. The data values for the luminous flux are initially subject to a tolerance of +/- 10%, those for the electrical connected load are initially subject to a tolerance of +/- 10%, and those for the colour temperature are initially subject to a tolerance of +/- 150 K. No liability is assumed for typographical or printing errors. The general terms and conditions of Wever & Ducré BV apply.