



PROJECT _____

TYPE _____

NOTES _____

QUANTITY _____

DATE _____



Round ceiling recessed downlight made from die-cast aluminium; surface White Matt; powder coated, matt texture; RAL 9010; installation without tools using wire springs; suitable for ceiling thickness of 4-38 mm; recessed depth 90 mm; with COB (Chip on Board) technology for maximum efficiency; light colour 2000 K - 3000 K colour warm dimming; binning initial MacAdam ≤ 3 SDCM; CRI ≥ 90; beam angle 38°; degree of protection from below IP44; from above IP20; Class 3; driver not included; light source replaceable by Wever & Ducré or by a professional with explicit authorization;



GENERAL

Ceiling _____
 Recessed _____
 White Matt _____
 RAL 9010 ^a _____
 front IP44 _____
 back IP20 _____
 Interior _____
 CIE flux code: 92 97 99 100 _____
 100 _____

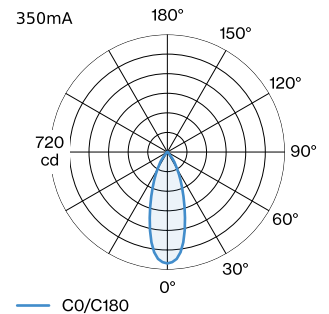
OUTPUT

500mA _____
 495 lm _____
 12.5 W _____
 350mA _____
 340 lm _____
 8.4 W _____

LED

colour warm dimming _____
 2000 K - 3000 K _____
 CRI ≥ 90 _____
 L70 / 50000h _____
 initial MacAdam ≤ 3 SDCM _____

LIGHT DISTRIBUTION

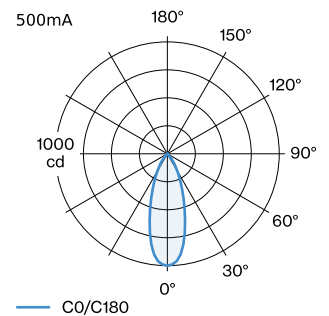


OPTICAL

Standard _____
 beam angle 38° _____

ELECTRICAL

excl. driver _____
 17 V _____
 inset 6.1 / 9.0 W _____
 Class 3 _____



PHYSICAL

diameter 84 mm _____
 height 90 mm _____
 0.17 kg _____
 wire springs _____

CUTOUT

diameter 76-79 mm _____
 min. ceiling thickness 4 mm _____
 max. ceiling thickness 38 mm _____
 recessed depth 90 mm _____

^a Colour may deviate slightly due to production conditions.



CONE DIAGRAM

standard 36° 350mA			standard 36° 500mA		
h (m)	E0° (lx)	ø (m)	h (m)	E0° (lx)	ø (m)
1	682	0.64	1	1000	0.64
2	171	1.29	2	250	1.29
3	76	1.93	3	110	1.93
4	43	2.57	4	60	2.57
5	27	3.22	5	40	3.22

Maintenance Factor

Operating Time [h]	10.000	20.000	30.000	40.000	50.000
LLMF	0.95	0.91	0.86	0.82	0.77
LSF	1	1	1	1	1

$$MF = LMF \times RSMF \times LLMF \times LSF$$

MF Maintenance Factor

LLMF^a Luminaire Maintenance Factor

RSMF^a Room Surface Maintenance Factor

LLMF Lamp Lumens Maintenance Factor

LSF Lamp Survival Factor

^aAccording to "CIE 97, Maintenance of indoor electric lighting systems", 2005, ISBN 3-900-734-34-8. The values must be determined by the planner.

ELECTRICAL ACCESSORIES

Driver

Type	Voltage	L·W·H (MM)	Item number
10W 500mA 11-20V	11-20V	100-43-23	90214405
10W 500mA 13-20V	13-20V	65-39-20	90214406
24W 500mA 5-49V IP68	5-49V	122-54-26	90214702
10W 500mA 3-20V phase-cut dim	3-20V	102-49-29	90224402
10W 500mA 12-21V phase-cut dim	12-21V	115-41-25	90224403
20W 500mA 3-40V DALI	3-40V	116-40-5-22	90244604
24W 500mA 6-49V DALI-2	6-49V	143-43-30	90244701