



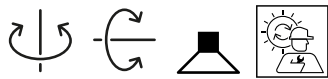
PROJECT

TYPE

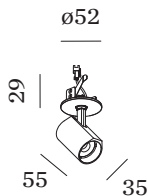
NOTES

QUANTITY

DATE



Ceiling recessed spotlight made from die-cast aluminium with round base; surface Black Matt; powder coated, matt texture; RAL 9011; inner ring black; installation without tools using blade springs; recessed depth 85 mm; with COB (Chip on Board) technology for maximum efficiency; light colour 3000 K; ≤ 2 SDCM (initial MacAdam); CRI ≥ 90 ; beam angle 31°; 350° rotatable and 90° tiltable; degree of protection IP20; Class 3; IC rated; driver not included; light source replaceable by Wever & Ducré or by a professional with explicit authorization;



LUMINAIRE

Ceiling
 Semi-Recessed
 tilt max 90 °
 rotation 350 °
 Black Matt
 RAL 9011 ^a
 IP20
 IC rated
 Interior
 530 lm

LED Module

3000 K
 CRI ≥ 90
 L70 / 55000h
 ≤ 2 SDCM (initial MacAdam)

Optical

Medium (standard)
 beam angle 31°
 CIE flux code: 99 100 100 100
 100

Electrical

excl. driver
 17 V
 Class III
 Standard

Physical

diameter 35 mm
 height 55 mm
 0.12 kg
 blade springs

Cutout

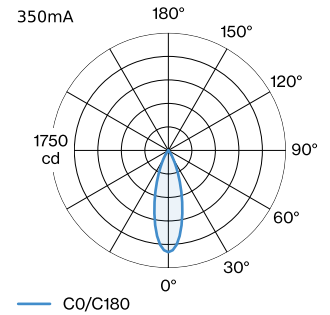
diameter 46-48 mm
 min. ceiling thickness 8 mm
 recessed depth 85 mm

datasheet.quicksum.material

Aluminium

^a Colour may deviate slightly due to production conditions

LIGHT DISTRIBUTION



[176161B5C] The technical data represent rated values for an ambient temperature of 25°C. The data values for the luminous flux are initially subject to a tolerance of +/- 10%, those for the electrical connected load are initially subject to a tolerance of +/- 10%, and those for the colour temperature are initially subject to a tolerance of +/- 150 K. No liability is assumed for typographical or printing errors. The general terms and conditions of Wever & Ducré BV apply.



CONE DIAGRAM

medium (standard) 350mA

h (m)	E0° (lx)	ø (m)
1	1520	0.56
2	380	1.12
3	170	1.68
4	90	2.23
5	60	2.79

Maintenance Factor

Operating Time [h]	10.000	20.000	30.000	40.000	50.000
LLMF	0.92	0.87	0.83	0.79	0.75
LSF	1	1	1	1	1

MF	LMF × RSMF × LLMF × LSF	RSMF ^a	Room Surface Maintenance Factor
MF	Maintenance Factor	LLMF	Lamp Lumens Maintenance Factor
LMF ^a	Luminaire Maintenance Factor	LSF	Lamp Survival Factor

^aAccording to "CIE 97, Maintenance of indoor electric lighting systems", 2005, ISBN 3-900-734-34-8. The values must be determined by the planner.

ELECTRICAL ACCESSORIES

Driver

Type	Colour	Voltage	L·W·H (MM)	Item number
6W 350mA 8.6-18V		8.6-18V	67-39-22	90213303
10W 350mA 13-26V phase-cut dim		13-26V	115-41-25	90223406
14W 350mA 10-40V DALI-2 push dim		10-40V	166-29-21	90243502

OPTICAL ACCESSORIES

Honeycomb Louver

Type	Colour	Voltage	Ø (MM)	Item number
BLIEK petit CENO LECA PIRRO QITO	Black		29	915230B0