



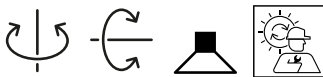
PROJECT _____

TYPE _____

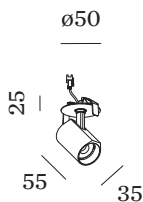
NOTES _____

QUANTITY _____

DATE _____



Ceiling recessed spotlight made from die-cast aluminium with round base; surface Black Matt + Champagne; powder coated; matt texture + wet painted; smooth semi glossy; No matching RAL; inner ring black; installation without tools using blade springs; suitable for ceiling thickness of 4-26 mm; recessed depth 85 mm; with COB (Chip on Board) technology for maximum efficiency; light colour 2000 - 3000 K colour warm dimming; ≤ 3 SDCM (initial MacAdam); CRI ≥ 90; beam angle 39°; 350° rotatable and 90° tiltable; degree of protection IP20; Class 3; IC rated; driver not included; light source replaceable by Wever & Ducré or by a professional with explicit authorization;



LUMINAIRE

Ceiling _____
 Semi recessed _____
 tilt max 90 ° _____
 rotation 350 ° _____
 Black Matt + Champagne _____
 No matching RAL _____
 IP20 _____
 IC rated _____
 Interior _____
 545 lm _____

LED Module

colour warm dimming _____
 2000 - 3000 K _____
 CRI ≥ 90 _____
 L70 / 50000h _____
 ≤ 3 SDCM (initial MacAdam) _____

Optical

Medium (standard) _____
 beam angle 39° _____
 CIE flux code: 98 100 100 100 _____
 100 _____

Electrical

excl. driver _____
 16 V _____
 Class III _____
 Standard _____

Physical

diameter 35 mm _____
 height 55 mm _____
 0.12 kg _____
 wire springs _____

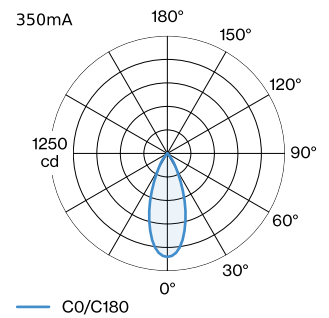
Cutout

diameter 45-47 mm _____
 min. ceiling thickness 4 mm _____
 max. ceiling thickness 26 mm _____
 recessed depth 85 mm _____

datasheet.quicksum.material

Aluminium _____

LIGHT DISTRIBUTION





CONE DIAGRAM

medium (standard) 390mA

h (m)	E0° (lx)	ø (m)
1	1100	0.71
2	280	1.43
3	120	2.14
4	70	2.86
5	40	3.57

Maintenance Factor

Operating Time [h]	10.000	20.000	30.000	40.000	50.000
LLMF	0.95	0.91	0.86	0.82	0.77
LSF	1	1	1	1	1

MF	LMF × RSMF × LLMF × LSF	RSMF ^a	Room Surface Maintenance Factor
MF	Maintenance Factor	LLMF	Lamp Lumens Maintenance Factor
LMF ^a	Luminaire Maintenance Factor	LSF	Lamp Survival Factor

^aAccording to "CIE 97, Maintenance of indoor electric lighting systems", 2005, ISBN 3-900-734-34-8. The values must be determined by the planner.

ELECTRICAL ACCESSORIES

Driver

Type	Colour	Voltage	L·W·H (MM)	Item number
6W 350mA 8.6-18V		8.6-18V	67-39-22	90213303
10W 350mA 13-26V phase-cut dim		13-26V	115-41-25	90223406
14W 350mA 10-40V DALI-2 push dim		10-40V	166-29-21	90243502

OPTICAL ACCESSORIES

Honeycomb Louver

Type	Colour	Voltage	Ø (MM)	Item number
BLIEK petit CENO LECA PIRRO QITO	Black		29	915230B0