



PROJECT

---

TYPE

---

NOTES

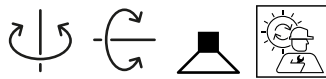
---

QUANTITY

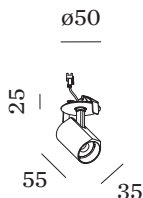
---

DATE

---



Ceiling recessed spotlight made from die-cast aluminium with round base; surface Gold; wet painted, matt smooth; No matching RAL; inner ring black; installation without tools using blade springs; suitable for ceiling thickness of 4-26 mm; recessed depth 85 mm; with COB (Chip on Board) technology for maximum efficiency; light colour 3000 K;  $\leq 2$  SDCM (initial MacAdam); CRI  $\geq 90$ ; beam angle 31°; 350° rotatable and 90° tiltable; degree of protection IP20; Class 3; IC rated; driver not included; light source replaceable by Wever & Ducré or by a professional with explicit authorization;



**LUMINAIRE**

Ceiling  
Semi-Recessed  
tilt max 90 °  
rotation 350 °  
Gold  
No matching RAL  
IP20  
IC rated  
Interior  
530 lm

**LED Module**

3000 K  
CRI  $\geq 90$   
L70 / 55000h  
 $\leq 2$  SDCM (initial MacAdam)

**Optical**

Medium (standard)  
beam angle 31°  
CIE flux code: 99 100 100 100 100

**Electrical**

excl. driver  
17 V  
Class III  
Standard

**Physical**

diameter 35 mm  
height 55 mm  
0.12 kg  
wire springs

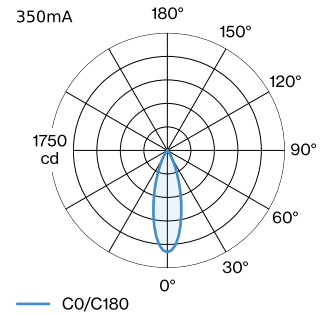
**Cutout**

diameter 45-47 mm  
min. ceiling thickness 4 mm  
max. ceiling thickness 26 mm  
recessed depth 85 mm

**datasheet.quicksum.material**

Aluminum

**LIGHT DISTRIBUTION**





**CONE DIAGRAM**

medium (standard) 350mA

h (m)	E0° (lx)	ø (m)
1	1520	0.56
2	380	1.12
3	170	1.68
4	90	2.23
5	60	2.79

**Maintenance Factor**

Operating Time [h]	10.000	20.000	30.000	40.000	50.000
LLMF	0.92	0.87	0.83	0.79	0.75
LSF	1	1	1	1	1

MF	LMF × RSMF × LLMF × LSF	RSMF <sup>a</sup>	Room Surface Maintenance Factor
MF	Maintenance Factor	LLMF	Lamp Lumens Maintenance Factor
LMF <sup>a</sup>	Luminaire Maintenance Factor	LSF	Lamp Survival Factor

<sup>a</sup>According to "CIE 97, Maintenance of indoor electric lighting systems", 2005, ISBN 3-900-734-34-8. The values must be determined by the planner.

**ELECTRICAL ACCESSORIES**

**Driver**

Type	Colour	Voltage	L·W·H (MM)	Item number
6W   350mA   8.6-18V		8.6-18V	67·39·22	90213303
10W   350mA   13-26V   phase-cut dim		13-26V	115·41·25	90223406
14W   350mA   10-40V   DALI-2 push dim		10-40V	166·29·21	90243502

**OPTICAL ACCESSORIES**

**Honeycomb Louver**

Type	Colour	Voltage	Ø (MM)	Item number
BLIEK petit   CENO   LECA   PIRRO   QITO	Black		29	915230B0