



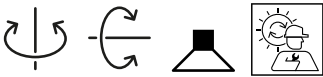
PROJECT _____

TYPE _____

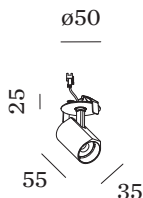
NOTES _____

QUANTITY _____

DATE _____



Ceiling recessed spotlight made from die-cast aluminium with round base; surface Gold; wet painted, matt smooth; No matching RAL; inner ring black; installation without tools using blade springs; suitable for ceiling thickness of 4-26 mm; recessed depth 85 mm; with COB (Chip on Board) technology for maximum efficiency; light colour 2000 - 3000 K colour warm dimming; ≤ 3 SDCM (initial MacAdam); CRI ≥ 90; beam angle 39°; 350° rotatable and 90° tiltable; degree of protection IP20; Class 3; IC rated; driver not included; light source replaceable by Wever & Ducré or by a professional with explicit authorization;



LUMINAIRE

Ceiling _____

Semi recessed _____

tilt max 90 ° _____

rotation 350 ° _____

Gold _____

No matching RAL _____

IP20 _____

IC rated _____

Interior _____

545 lm _____

LED Module

colour warm dimming _____

2000 - 3000 K _____

CRI ≥ 90 _____

L70 / 50000h _____

≤ 3 SDCM (initial MacAdam) _____

Optical

Medium (standard) _____

beam angle 39° _____

CIE flux code: 98 100 100 100 _____

100 _____

Electrical

excl. driver _____

16 V _____

Class III _____

Standard _____

Physical

diameter 35 mm _____

height 55 mm _____

0.12 kg _____

wire springs _____

Cutout

diameter 45-47 mm _____

min. ceiling thickness 4 mm _____

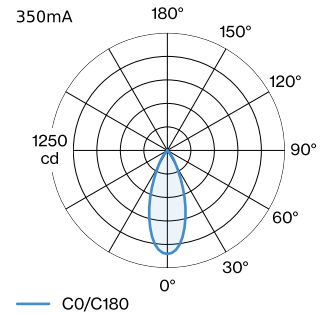
max. ceiling thickness 26 mm _____

recessed depth 85 mm _____

datasheet.quicksum.material

Aluminum _____

LIGHT DISTRIBUTION




CONE DIAGRAM

medium (standard) 390mA

h (m)	E0° (lx)	ø (m)
1	1100	0.71
2	280	1.43
3	120	2.14
4	70	2.86
5	40	3.57

Maintenance Factor

Operating Time [h]	10.000	20.000	30.000	40.000	50.000
LLMF	0.95	0.91	0.86	0.82	0.77
LSF	1	1	1	1	1

 $MF = LMF \times RSMF \times LLMF \times LSF$

MF Maintenance Factor

 $RSMF^a$ Room Surface Maintenance Factor

LLMF Lamp Lumens Maintenance Factor

 LMF^a Luminaire Maintenance Factor

LSF Lamp Survival Factor

^aAccording to "CIE 97, Maintenance of indoor electric lighting systems", 2005, ISBN 3-900-734-34-8. The values must be determined by the planner.

ELECTRICAL ACCESSORIES
Driver

Type	Colour	Voltage	L·W·H (MM)	Item number
6W 350mA 8.6-18V		8.6-18V	67·39·22	90213303
10W 350mA 13-26V phase-cut dim		13-26V	115·41·25	90223406
14W 350mA 10-40V DALI-2 push dim		10-40V	166·29·21	90243502

OPTICAL ACCESSORIES
Honeycomb Louver

Type	Colour	Voltage	Ø (MM)	Item number
BLIEK petit CENO LECA PIRRO QITO	Black		29	915230B0