



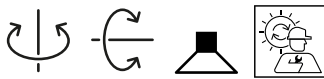
**PROJECT** \_\_\_\_\_

**TYPE** \_\_\_\_\_

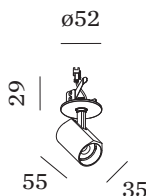
**NOTES** \_\_\_\_\_

**QUANTITY** \_\_\_\_\_

**DATE** \_\_\_\_\_



Ceiling recessed spotlight made from die-cast aluminium with round base; surface Black Matt + Gold; wet painted, matt smooth; RAL 9011; inner ring black; installation without tools using blade springs; recessed depth 85 mm; with COB (Chip on Board) technology for maximum efficiency; light colour 2700 K;  $\leq 2$  SDCM (initial MacAdam); CRI  $\geq 90$ ; beam angle 31°; 350° rotatable and 90° tiltable; degree of protection IP20; Class 3; IC rated; driver not included; light source replaceable by Wever & Ducré or by a professional with explicit authorization;



**LUMINAIRE**

- Ceiling
- Semi-Recessed
- tilt max 90 °
- rotation 350 °
- Black Matt + Gold
- RAL 9011 <sup>a</sup>
- IP20
- IC rated
- Interior
- 500 lm

**LED Module**

- 2700 K
- CRI  $\geq 90$
- L70 / 55000h
- $\leq 2$  SDCM (initial MacAdam)

**Optical**

- Medium (standard)
- beam angle 31°
- CIE flux code: 99 100 100 100 100

**Electrical**

- excl. driver
- 17 V
- Class III
- Standard

**Physical**

- diameter 35 mm
- height 55 mm
- 0.12 kg
- blade springs

**Cutout**

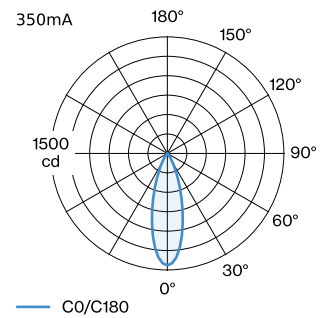
- diameter 46-48 mm
- min. ceiling thickness 8 mm
- recessed depth 85 mm

**datasheet.quicksum.material**

Aluminum

<sup>a</sup> Colour may deviate slightly due to production conditions

**LIGHT DISTRIBUTION**



[176161K3C] The technical data represent rated values for an ambient temperature of 25°C. The data values for the luminous flux are initially subject to a tolerance of +/- 10%, those for the electrical connected load are initially subject to a tolerance of +/- 10%, and those for the colour temperature are initially subject to a tolerance of +/- 150 K. No liability is assumed for typographical or printing errors. The general terms and conditions of Wever & Ducré BV apply.


**CONE DIAGRAM**

medium (standard) 350mA

h (m)	EO° (lx)	ø (m)
1	1440	0.56
2	360	1.12
3	160	1.68
4	90	2.23
5	60	2.79

**Maintenance Factor**

Operating Time [h]	10.000	20.000	30.000	40.000	50.000
LLMF	0.92	0.87	0.83	0.79	0.75
LSF	1	1	1	1	1

 MF  $LMF \times RSMF \times LLMF \times LSF$ 

MF Maintenance Factor

 RSMF<sup>a</sup> Room Surface Maintenance Factor

LLMF Lamp Lumens Maintenance Factor

 LMF<sup>a</sup> Luminaire Maintenance Factor

LSF Lamp Survival Factor

<sup>a</sup>According to "CIE 97, Maintenance of indoor electric lighting systems", 2005, ISBN 3-900-734-34-8. The values must be determined by the planner.

**ELECTRICAL ACCESSORIES**
**Driver**

Type	Colour	Voltage	L·W·H (MM)	Item number
6W   350mA   8.6-18V		8.6-18V	67-39-22	90213303
10W   350mA   13-26V   phase-cut dim		13-26V	115-41-25	90223406
14W   350mA   10-40V   DALI-2 push dim		10-40V	166-29-21	90243502

**OPTICAL ACCESSORIES**
**Honeycomb Louver**

Type	Colour	Voltage	Ø (MM)	Item number
BLIEK petit   CENO   LECA   PIRRO   QITO	Black		29	915230B0