



**PROJECT**

---

**TYPE**

---

**NOTES**

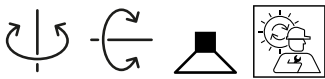
---

**QUANTITY**

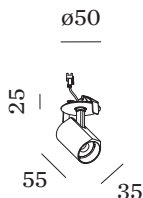
---

**DATE**

---



Ceiling recessed spotlight made from die-cast aluminium with round base; surface Bronze; wet painted, matt smooth; RAL 7013; inner ring black; installation without tools using blade springs; suitable for ceiling thickness of 4-26 mm; recessed depth 85 mm; with COB (Chip on Board) technology for maximum efficiency; light colour 2000 - 3000 K colour warm dimming;  $\leq 3$  SDCM (initial MacAdam); CRI  $\geq 90$ ; beam angle 39°; 350° rotatable and 90° tiltable; degree of protection IP20; Class 3; IC rated; driver not included; light source replaceable by Wever & Ducré or by a professional with explicit authorization;



**LUMINAIRE**

Ceiling  
Semi-Recessed  
tilt max 90 °  
rotation 350 °  
Bronze  
RAL 7013 <sup>a</sup>  
IP20  
IC rated  
Interior  
545 lm

**LED Module**

colour warm dimming  
2000 - 3000 K  
CRI  $\geq 90$   
L70 / 50000h  
 $\leq 3$  SDCM (initial MacAdam)

**Optical**

Medium (standard)  
beam angle 39°  
CIE flux code: 98 100 100 100 100

**Electrical**

excl. driver  
16 V  
Class III  
Standard

**Physical**

diameter 35 mm  
height 55 mm  
0.12 kg  
wire springs

**Cutout**

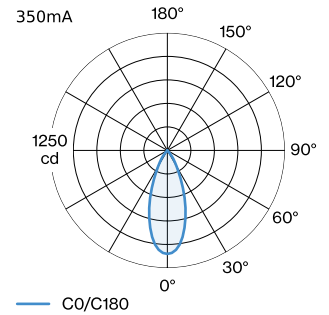
diameter 45-47 mm  
min. ceiling thickness 4 mm  
max. ceiling thickness 26 mm  
recessed depth 85 mm

**datasheet.quicksum.material**

Aluminium

<sup>a</sup> Colour may deviate slightly due to production conditions

**LIGHT DISTRIBUTION**



[176161Q9] The technical data represent rated values for an ambient temperature of 25°C. The data values for the luminous flux are initially subject to a tolerance of +/- 10%, those for the electrical connected load are initially subject to a tolerance of +/- 10%, and those for the colour temperature are initially subject to a tolerance of +/- 150 K. No liability is assumed for typographical or printing errors. The general terms and conditions of Wever & Ducré BV apply.


**CONE DIAGRAM**

medium (standard) 390mA

h (m)	E0° (lx)	ø (m)
1	1100	0.71
2	280	1.43
3	120	2.14
4	70	2.86
5	40	3.57

**Maintenance Factor**

Operating Time [h]	10.000	20.000	30.000	40.000	50.000
LLMF	0.95	0.91	0.86	0.82	0.77
LSF	1	1	1	1	1

 MF  $LMF \times RSMF \times LLMF \times LSF$ 

MF Maintenance Factor

 $LMF^a$  Luminaire Maintenance Factor

 $RSMF^a$  Room Surface Maintenance Factor

LLMF Lamp Lumens Maintenance Factor

LSF Lamp Survival Factor

<sup>a</sup>According to "CIE 97, Maintenance of indoor electric lighting systems", 2005, ISBN 3-900-734-34-8. The values must be determined by the planner.

**ELECTRICAL ACCESSORIES**
**Driver**

Type	Colour	Voltage	L·W·H (MM)	Item number
6W   350mA   8.6-18V		8.6-18V	67·39·22	90213303
10W   350mA   13-26V   phase-cut dim		13-26V	115·41·25	90223406
14W   350mA   10-40V   DALI-2 push dim		10-40V	166·29·21	90243502

**OPTICAL ACCESSORIES**
**Honeycomb Louver**

Type	Colour	Voltage	Ø (MM)	Item number
BLIEK petit   CENO   LECA   PIRRO   QITO	Black		29	915230B0