



PROJECT
TYPE
NOTES
QUANTITY
DATE



Round ceiling recessed downlight made from die-cast aluminium; adjustable; surface Bronze; wet painted, matt smooth; installation without tools using wire springs; suitable for ceiling thickness of 4-23 mm; recessed depth 90 mm; with COB (Chip on Board) technology for maximum efficiency; light colour 2700 K; binning initial MacAdam ≤ 2 SDCM; CRI ≥ 90; beam angle 34°; 355° rotatable and 35° tiltable; degree of protection IP20; Class 3; IC rated; driver not included; light source replaceable by Wever & Ducré or by a professional with explicit authorization;



GENERAL

Ceiling
Recessed
tilt max 35 °
rotation 355 °
Bronze
IP20
Interior
CIE flux code: 98 100 100 100 100

OUTPUT

350mA
505 lm
8.3 W
500mA
680 lm
12.2 W

LED

2700 K
CRI ≥ 90
L80 / 55000h
initial MacAdam ≤ 2 SDCM

OPTICAL

Standard
beam angle 34°

ELECTRICAL

excl. driver
17 V
inset 6.0 / 8.8 W
Class 3

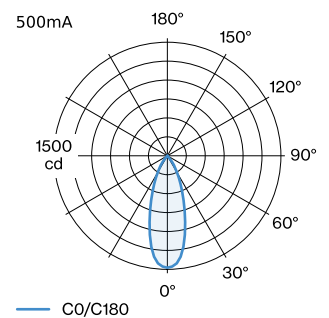
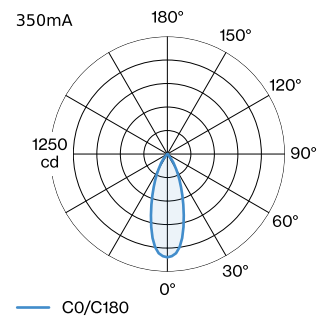
PHYSICAL

diameter 94 mm
height 77 mm
0.17 kg
wire springs

CUTOUT

diameter 86-89 mm
min. ceiling thickness 4 mm
max. ceiling thickness 23 mm
recessed depth 90 mm

LIGHT DISTRIBUTION




CONE DIAGRAM

standard 36° 350mA			standard 36° 500mA		
h (m)	E0° (lx)	ø (m)	h (m)	E0° (lx)	ø (m)
1	1100	0.65	1	1480	0.65
2	270	1.29	2	370	1.29
3	120	1.94	3	160	1.94
4	70	2.58	4	90	2.58
5	40	3.23	5	60	3.23

Maintenance Factor

Operating Time [h]	10.000	20.000	30.000	40.000	50.000
LLMF	0.96	0.92	0.89	0.85	0.82
LSF	1	1	1	1	1

$$MF = LMF \times RSMF \times LLMF \times LSF$$

MF Maintenance Factor

LLMF^a Luminaire Maintenance Factor

RSMF^a Room Surface Maintenance Factor

LLMF Lamp Lumens Maintenance Factor

LSF Lamp Survival Factor

^aAccording to "CIE 97, Maintenance of indoor electric lighting systems", 2005, ISBN 3-900-734-34-8. The values must be determined by the planner.

ELECTRICAL ACCESSORIES
Driver

Type	Voltage	L·W·H (MM)	Item number
10W 500mA 11-20V	11-20V	100-43-23	90214405
10W 500mA 13-20V	13-20V	65-39-20	90214406
10W 500mA 3-20V phase-cut dim	3-20V	102-49-29	90224402
10W 500mA 12-21V phase-cut dim	12-21V	115-41-25	90224403
20W 500mA 3-40V DALI	3-40V	116-40-5-22	90244604
24W 500mA 6-49V DALI-2	6-49V	143-43-30	90244701

OTHER ACCESSORIES
Metal spring clip

Type	Ø (MM)	Item number
MR16 LED PAR16 max. 12W	59	90019700

Spring clip

Type	Colour	Ø (MM)	Item number
MR16 LED PAR16 max. 12W	Black	59	900198B0
MR16 LED PAR16 max. 12W	Gold	59	900198G0
MR16 LED PAR16 max. 12W	Champagne	59	900198M0
MR16 LED PAR16 max. 12W	Bronze	59	900198Q0
MR16 LED PAR16 max. 12W	Silver	59	900198S0
MR16 LED PAR16 max. 12W	White	59	900198W0