



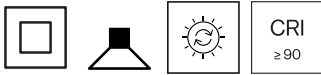
PROJECT _____

TYPE _____

NOTES _____

QUANTITY _____

DATE _____



Tubular wall surface luminaire made from aluminium; surface Black Matt; powder coated; matt texture; RAL 9005; cable plug with switch in black; phase-cut dim; light colour 2700 K; CRI ≥ 90; 220 - 240 V; degree of protection IP20; Class 2; light source replaceable by end-user;

GENERAL

Wall _____
 Surface _____
 Black Matt _____
 RAL 9005 ^a _____
 IP20 _____
 Interior _____
 2780 lm _____
 CIE flux code: 40 70 89 90 100 _____

LED

2700 K _____
 CRI ≥ 90 _____
 L70 / 50000h _____
 initial MacAdam ≤ 3 SDCM _____

OPTICAL

Opal _____

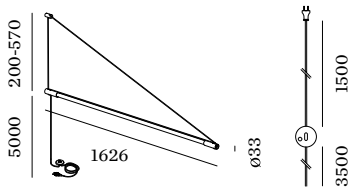
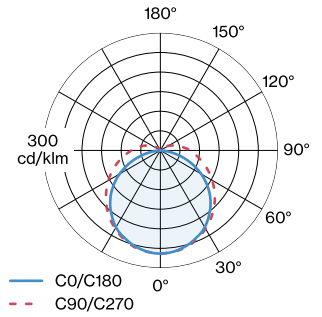
ELECTRICAL

phase-cut dim _____
 220 - 240 V _____
 system 21.8 W _____
 Class 2 _____

PHYSICAL

length 33 mm _____
 width 1626 mm _____
 height 33 mm _____
 0.33 kg _____
 cable plug with switch _____

LIGHT DISTRIBUTION



^a Colour may deviate slightly due to production conditions.