



**PROJECT**

---

**TYPE**

---

**NOTES**

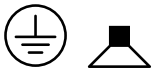
---

**QUANTITY**

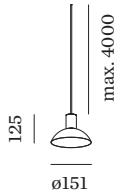
---

**DATE**

---



Ceiling suspended luminaire made from aluminium; surface Gold wet painted; matt texture; inclusive adjustable cable suspension max. 4000mm in Signal Black; lamp socket GU10; lamp type PAR16; max. 12W; 100 - 240 V; degree of protection IP20; Class 1; ceiling base not included;



**GENERAL**

Ceiling \_\_\_\_\_  
 Suspended \_\_\_\_\_  
 Gold \_\_\_\_\_  
 IP20 \_\_\_\_\_  
 Interior \_\_\_\_\_  
 CIE flux code: 94 98 100 100 \_\_\_\_\_  
 100 \_\_\_\_\_

**LED**

lamp PAR16 \_\_\_\_\_  
 socket GU10 \_\_\_\_\_  
 max. per socket 12.0 W \_\_\_\_\_  
 CRI ≥ 90 \_\_\_\_\_

**ELECTRICAL**

100 - 240 V \_\_\_\_\_  
 Class 1 \_\_\_\_\_

**PHYSICAL**

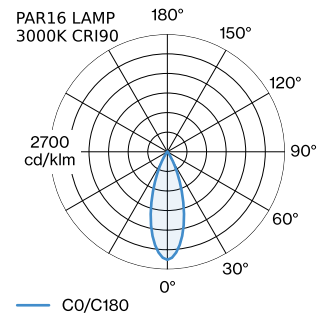
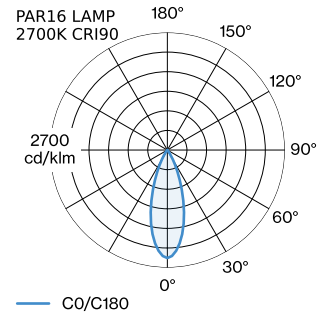
diameter 151 mm \_\_\_\_\_  
 height 125 mm \_\_\_\_\_  
 0.3 kg \_\_\_\_\_

**MEASURED LAMPS**

PAR16 LAMP 3000K CRI90 \_\_\_\_\_  
 480 lm \_\_\_\_\_  
 6.5 W \_\_\_\_\_

PAR16 LAMP 2700K CRI90 \_\_\_\_\_  
 460 lm \_\_\_\_\_  
 6.5 W \_\_\_\_\_

**LIGHT DISTRIBUTION**



[‘287720GGO’] The technical data represent rated values for an ambient temperature of 25°C. The data values for the luminous flux are initially subject to a tolerance of +/- 10%, those for the electrical connected load are initially subject to a tolerance of +/- 10%, and those for the colour temperature are initially subject to a tolerance of +/- 150 K. No liability is assumed for typographical or printing errors. The general terms and conditions of Wever & Ducré BV apply.


**MOUNTING ACCESSORIES**
**Cable Wall-Ceiling Bracket**

Colour	Ø·H (MM)	Item number
White	16·30	90019197
Black	16·30	90019198

**Hook**

Type	Colour	Ø·H (MM)	Item number
standard multi suspension hook	Black	3·83	90052024
standard multi suspension hook	White	3·83	90052025
optional multi suspension hook	Black	5·90	90052065
optional multi suspension hook	White	5·90	90052066
for cable 4.25-5.5mm diameter	White	15·35	90052079
for cable 4.25-5.5mm diameter	Black	15·35	90052080

**Invisible ceiling base**

Colour	L·W (MM)	Item number
Black	140·66	90015195
White	140·66	90015196

**Multiple base linear**

Type	Colour	L·W·H (MM)	Item number
up to max. 2 luminaires	White	600·30·45	90052007
up to max. 2 luminaires	Black	600·30·45	90052008
up to max. 3 luminaires	White	900·30·45	90052009
up to max. 3 luminaires	Black	900·30·45	90052010
up to max. 4 luminaires	White	1200·30·45	90052011
up to max. 4 luminaires	Black	1200·30·45	90052012
up to max. 5 luminaires	White	1500·30·45	90052013
up to max. 5 luminaires	Black	1500·30·45	90052014

**Multiple base round**

Type	Colour	Ø·H (MM)	Item number
up to max. 4 luminaires	White	123·44	90052005
up to max. 4 luminaires	Black	123·44	90052006
up to max. 8 luminaires	White	123·44	90052031
up to max. 8 luminaires	Black	123·44	90052032

**Semi recessed base**

Type	Colour	Ø·H (MM)	Item number
for shades without steel wire only	White	84·72	90052026
for shades without steel wire only	Black	84·72	90052027

**Single base**

Type	Colour	Ø·H (MM)	Item number
ceiling base round	Black	84·29	90052021
ceiling base round	White	84·29	90052022

**Wall Base**

Type	Colour	Ø·H (MM)	Item number
for 1 luminaire	White	82·32	90019195
for 1 luminaire	Black	82·32	90019196

**OPTICAL ACCESSORIES**

[287720GG0] The technical data represent rated values for an ambient temperature of 25°C. The data values for the luminous flux are initially subject to a tolerance of +/- 10%, those for the electrical connected load are initially subject to a tolerance of +/- 10%, and those for the colour temperature are initially subject to a tolerance of +/- 150 K. No liability is assumed for typographical or printing errors. The general terms and conditions of Wever & Ducré BV apply.

287720GG0



**Inner cover**

Type	Colour	Ø-H (MM)	Item number
suitable for ODREY 1.6   1.7	Black	55-42	911420B0
suitable for ODREY 1.6   1.7	Gold	55-42	911420G0
suitable for ODREY 1.6   1.7	White	55-42	911420W0

**ELECTRICAL ACCESSORIES**

**LED LAMPS**

Colour	Item number
Black Texture	W901228B3
Black Texture	W901228B5

**LAMPS**

**PAR16 LED Lamp**

Type	Colour	Ø-H (MM)	Item number
2700K   >90 CRI   GU10	White	50-60	901228W3
3000K   >90 CRI   GU10	White	50-60	901228W5
2700K   >80 CRI   GU10	Silver	50-60	905227S2
3000K   >80 CRI   GU10	Silver	50-60	905227S4

**TRACK ACCESSORIES**

**Track Adapter 2.0**

Type	Colour	L-W-H (MM)	Item number
1-phase track	White	80-24-26	90014277
1-phase track	Black	80-24-26	90014278

[‘287720GG0’] The technical data represent rated values for an ambient temperature of 25°C. The data values for the luminous flux are initially subject to a tolerance of +/- 10%, those for the electrical connected load are initially subject to a tolerance of +/- 10%, and those for the colour temperature are initially subject to a tolerance of +/- 150 K. No liability is assumed for typographical or printing errors. The general terms and conditions of Wever & Ducré BV apply.