



WEVER & DUCRÉ  
LIGHTING

# SQUBE on base 1.0 PAR16

144220B0

Project

Type

Notes

Quantity

Date

## GENERAL

Ceiling , Surface

Tilt max 90°

Black Matt

RAL 9005<sup>a</sup>

IP20

Interior

Output: 460<sup>b</sup>, 480<sup>c</sup> lm

CIE flux code: 94 98 100 100 100

## LED

Lamp PAR16

Socket GU10

max. per socket 12.0 W

CRI ≥ 90

## ELECTRICAL

100 - 240 V

LED Inset 6.5 W

Class 1

## PHYSICAL

Diameter 55 mm

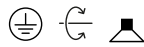
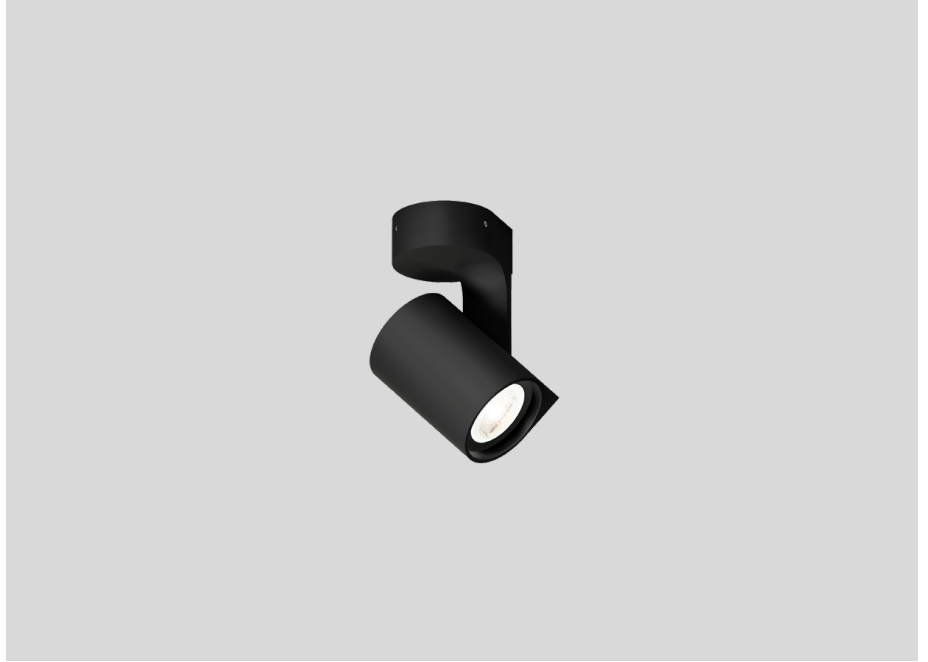
Height 77 mm

0.43 kg

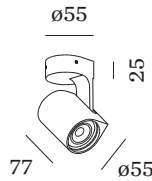
<sup>a</sup> Color may deviate slightly due to production conditions.

<sup>b</sup> PAR16 LAMP 2700K CRI90

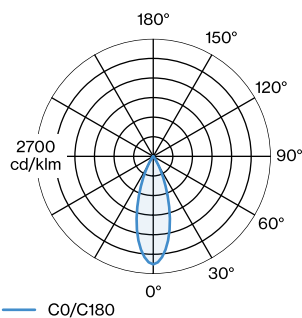
<sup>c</sup> PAR16 LAMP 3000K CRI90



Ceiling surface spotlight made from die-cast aluminium; surface Black Matt; powder coated, matt texture; RAL 9005; lamp socket GU10; lamp type PAR16; max. 12W; 100 - 240 V; 90° tiltable; degree of protection IP20; PC1; lamp not included;



## LIGHT DISTRIBUTION





WEVER & DUCRÉ  
LIGHTING

# SQUBE

## on base 1.0 PAR16

144220B0

### LAMPS

#### PAR16 LED Lamp

TYPE	COLOUR	Ø·H (MM)	ORDERCODE
2700K   >90 CRI   GU10	Black	ø50·60	9 0 1 2 2 8 B 3
3000K   >90 CRI   GU10	Black	ø50·60	9 0 1 2 2 8 B 5
2700K   >90 CRI   GU10	White	ø50·60	9 0 1 2 2 8 W 3
3000K   >90 CRI   GU10	White	ø50·60	9 0 1 2 2 8 W 5
2700K   >80 CRI   GU10	Silver	ø50·60	9 0 5 2 2 7 S 2
3000K   >80 CRI   GU10	Silver	ø50·60	9 0 5 2 2 7 S 4