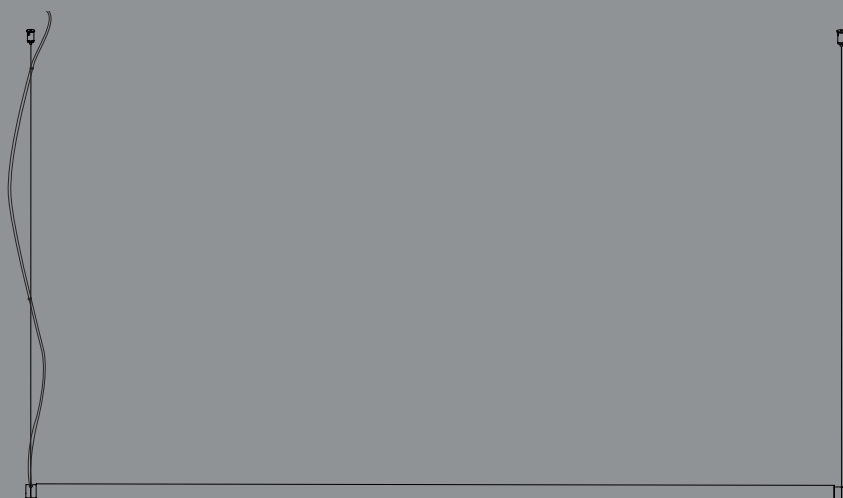


- INSTRUCTION MANUAL -

# FACTOR LINEAR



DESIGN BY DIMITRI BÄHLER

# HAY



#### TECHNICAL DATA

This product is supplied with an integrated LED module. (Diffused 2600K warm white, 2300lm), (Directional 3500K cold white, 3600lm). The expected lifespan of the LED module is 25,000 hours, which equates to 8-10 years of general use. When the light source reaches its end of life, the whole luminaire should be replaced. For dimming, please check which wall mounted dimmers are compatible with the included LED driver.

#### ATTENTION

Ensure that the power supply to the circuit has clearly been turned OFF before installing the product. In some countries, electrical installation must be carried out by authorised electricians/contractors; please check with your local authority for guidance.

The product must not be modified in any way. HAY accepts no responsibility for any products that have been modified or tampered with. The external flexible cable or cord of this luminaire cannot be replaced. If the cord is damaged, the luminaire should be replaced. This lamp is designed for indoor use only.

#### CARE AND MAINTENANCE

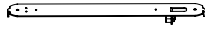
The product can be cleaned with a soft damp cloth and mild detergent, or a dry microfibre cloth. Do not use alcohol or any other solvents to clean the product and avoid using abrasive or rough sponges. Ensure that the power supply has been turned OFF before cleaning the product.



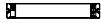
UK  
CA

- PARTS -

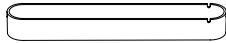
Mounting bracket



LED driver



Ceiling canopy



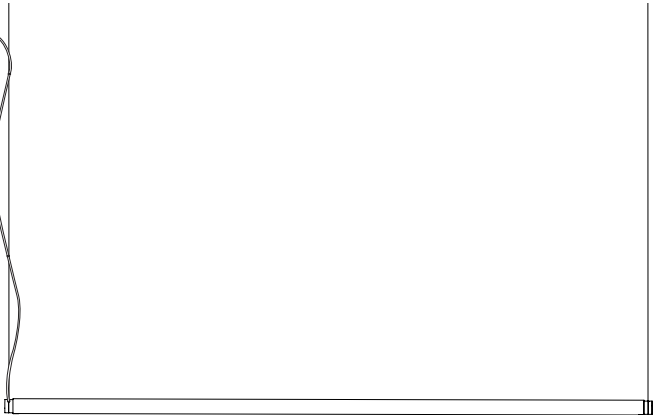
Suspension mount



Suspension wire



Cable

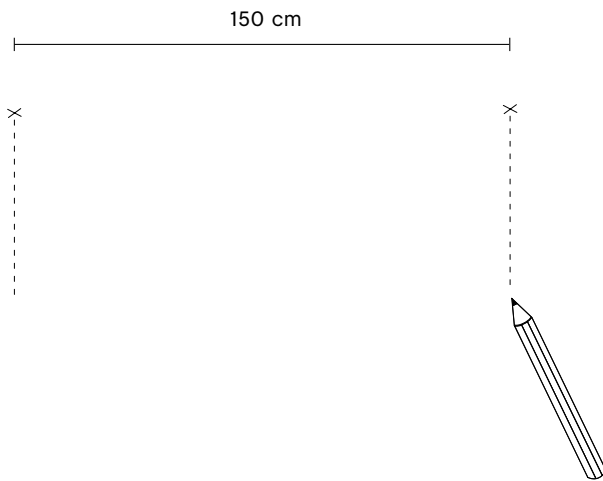


Lamp



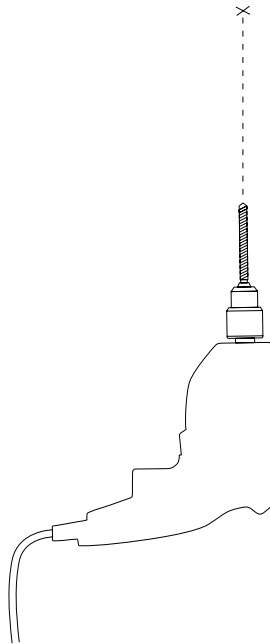
1.

Unpack all the parts and check that you have received all the parts listed.  
Mark the position of the holes to be drilled (150 cm apart) on the ceiling.



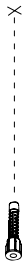
2.

Drill the holes using the correct type of drill for the ceiling you are drilling into.



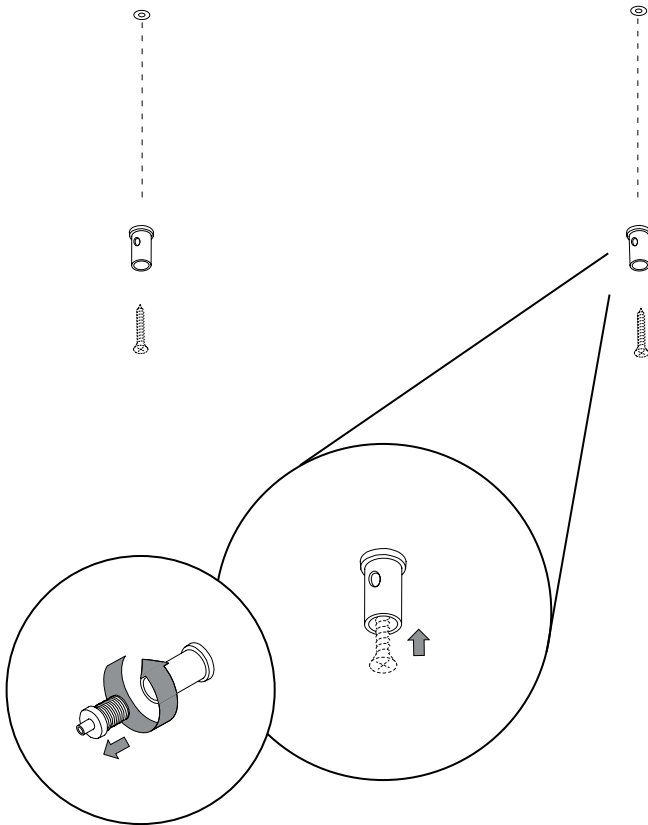
3.

Insert the wall plugs, ensuring you use the correct type of wall plugs for the type of ceiling.



4.

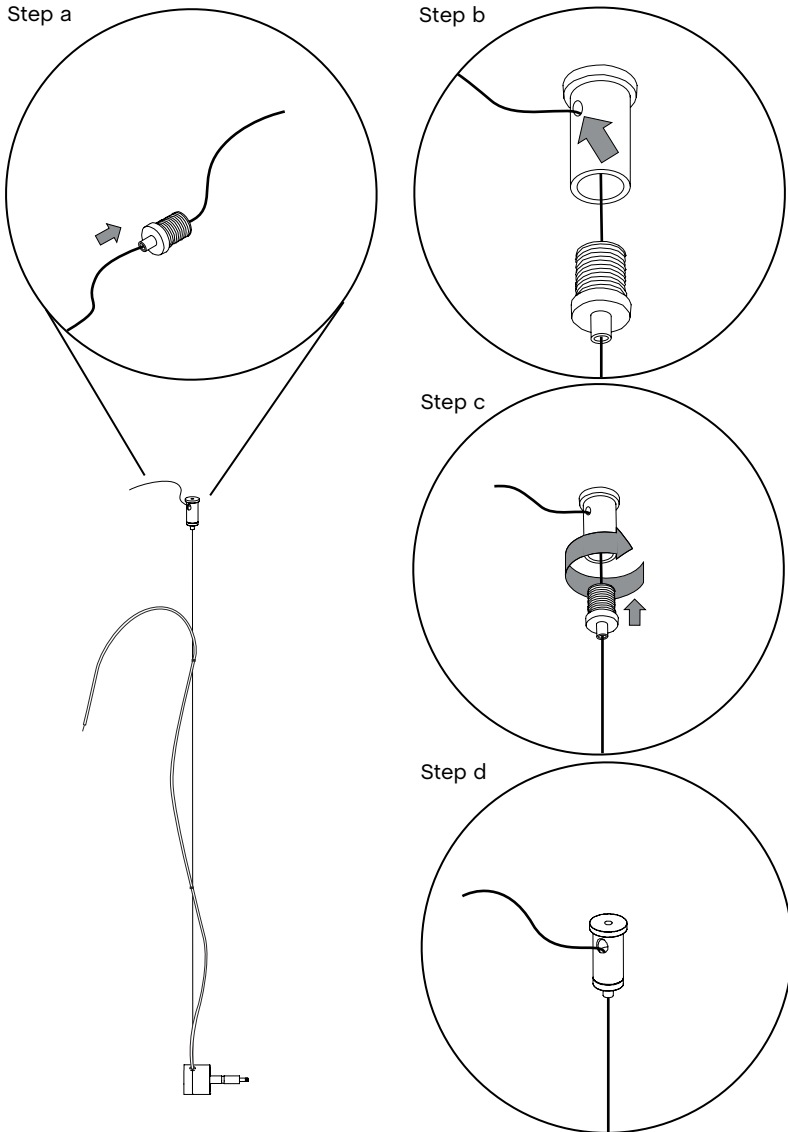
Fix the suspension mount to the ceiling using the provided screws. Disassemble the suspension mount as shown below and insert each screw into the suspension mount, screwing them firmly into place.





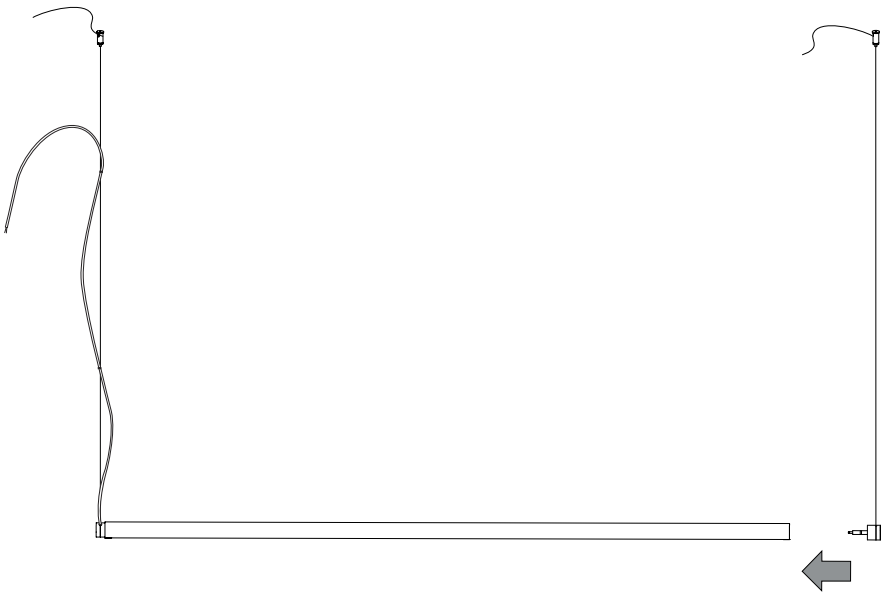
5.

Once the suspension mounts are firmly in place, the lamp is ready to be mounted. Start by pulling the suspension wire through the disassembled suspension mount (step 5a). Guide the wire through the fixed suspension mount and through the exit hole on the side (step 5b). Screw the disassembled suspension mount together with the part that is fixed to the ceiling (step 5c). The suspension wire is now safely in place (step 5d). Repeat on the other side.



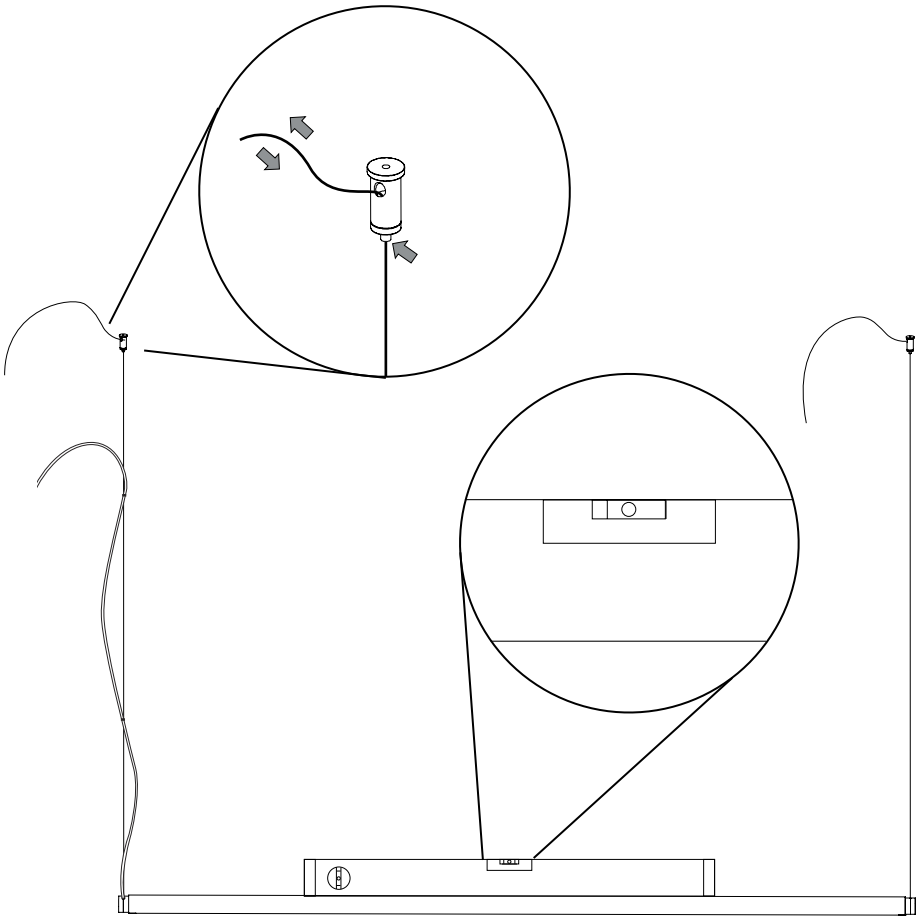
6.

Remove the lamp from its packaging and insert the connector joints into the ends of the lamp. Push the connector joints gently into the lamp, aligning the pin on the joint with the centre hole of the lamp until you feel a faint click. Repeat on the other side.



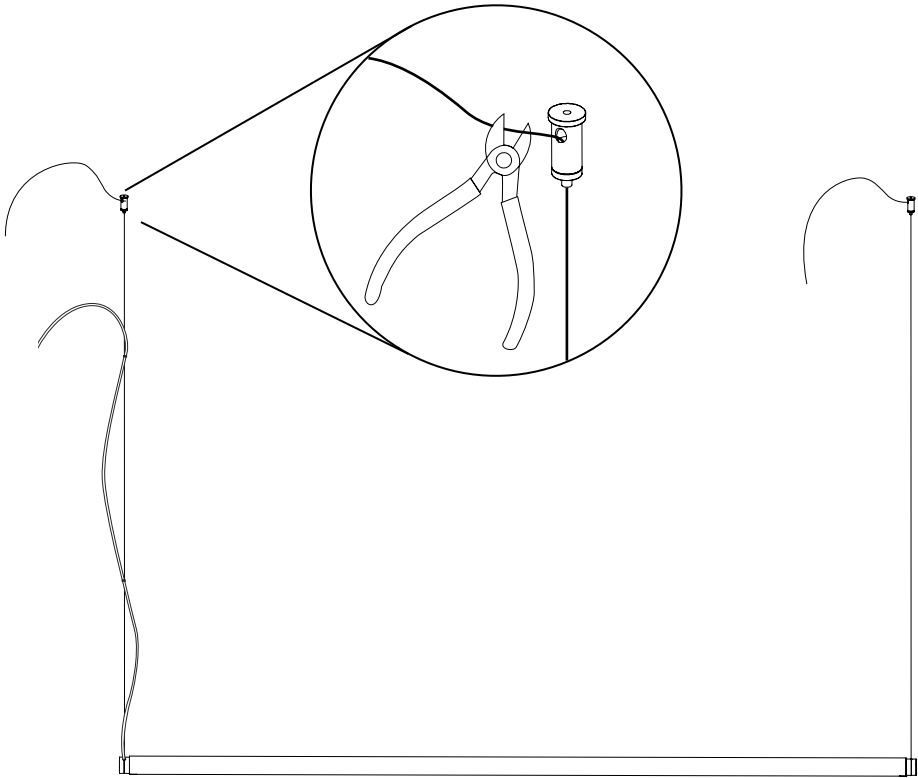
7.

Level the lamp by adjusting the suspension wires. Pull the wire to shorten it or press the tab of the suspension mount to release it. A spirit level can be used to ensure the lamp is hanging perfectly level.



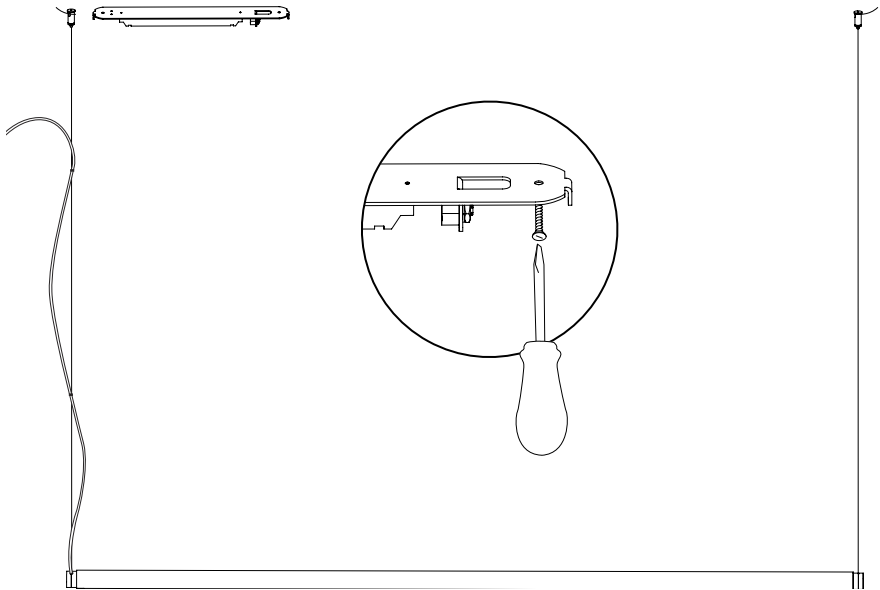
8.

Once the lamp is in place, the excess wire trailing from the exit hole can be cut. Please note that once the wire has been cut, the lamp can no longer be lowered.



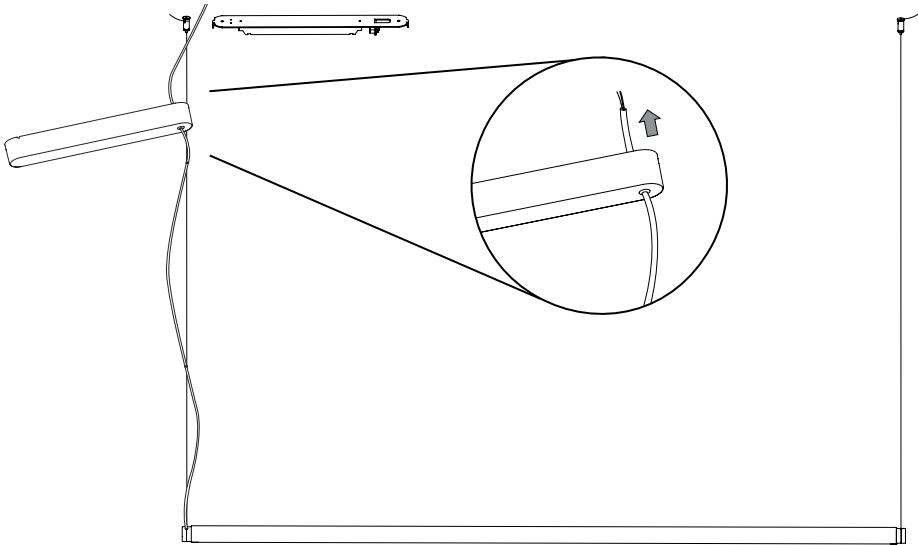
9.

To mount the ceiling canopy with the included LED driver, place the ceiling bracket in the desired position and mark the correct placement for the screws, using the mounting holes on the bracket as a guide. Drill holes using the correct type of drill for the ceiling you are drilling into and insert wall plugs if needed. Fix the bracket with the attached driver to the ceiling using the provided screws.



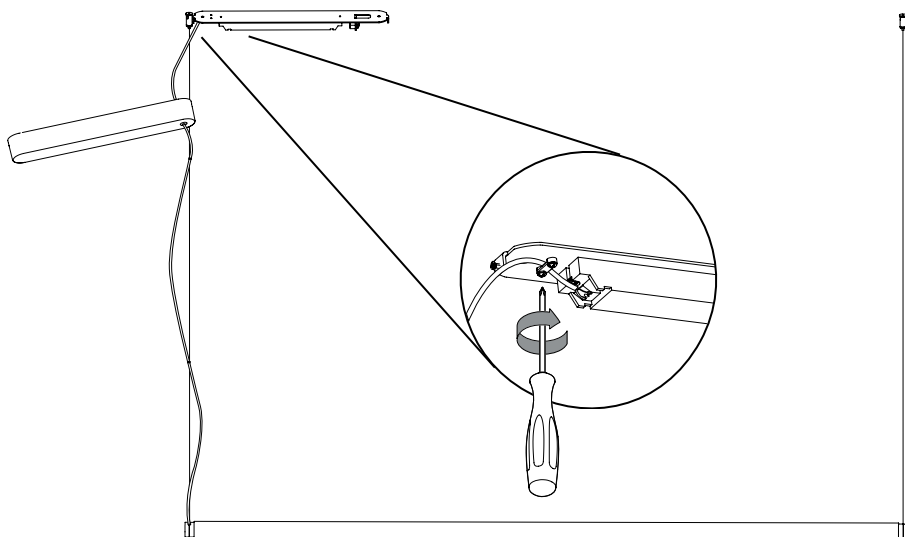
10.

Pull the cable through the cable exit hole on the ceiling canopy before connecting the cable to the driver.



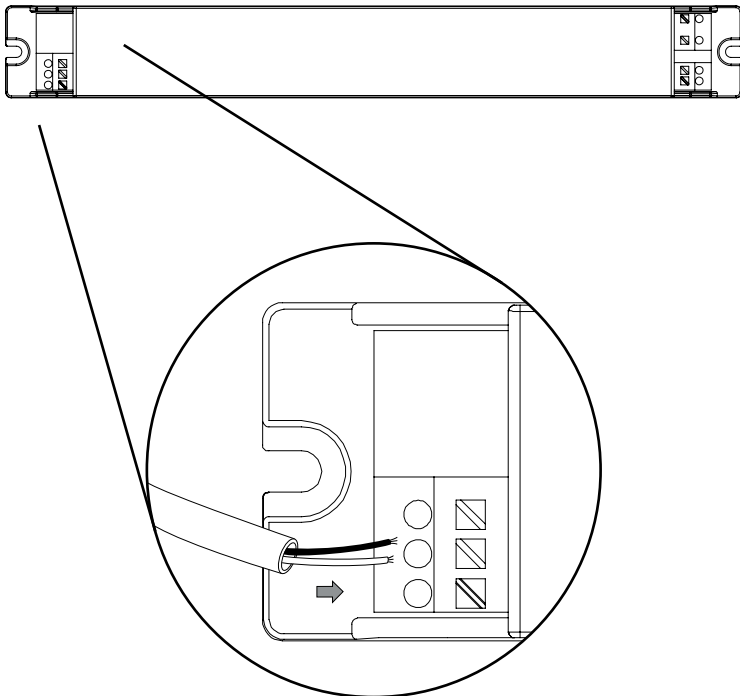
11.

To secure the thinner lamp output power cable to the mounting bracket, start by loosening the screws on the cable clamps that are mounted on the mounting bracket, and pass the cable through. Once the cable is in place, tighten the screws again, ensuring there is enough excess cable to reach the terminal blocks of the LED driver.



**Ensure that the mains power is switched OFF before proceeding with the next steps.**

Wiring to the lamp: Insert the red cable (+) into the slot on the red terminal block (+) while pressing down on the small button next to it. Insert the black cable (-) into the slot on the blue terminal block (-) while pressing down on the small button next to it. It is important that the wires are correctly connected. HAY accepts no responsibility for any damage due to incorrect wiring of the lamp. If you are unsure of the polarity of the wires, we recommend you contact a certified electrician.



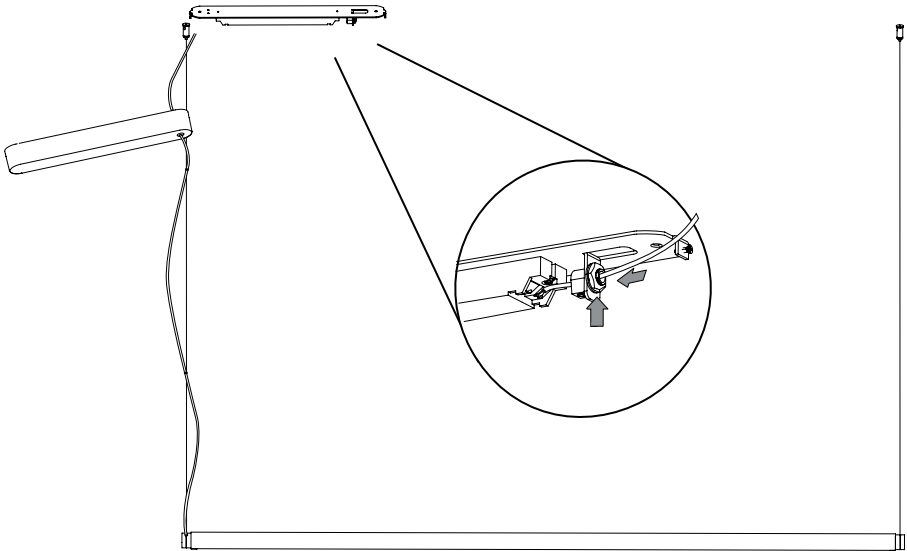
**ATTENTION**

Black cable (-) in blue terminal block (-)  
Red cable (+) in red terminal block (+)



13.

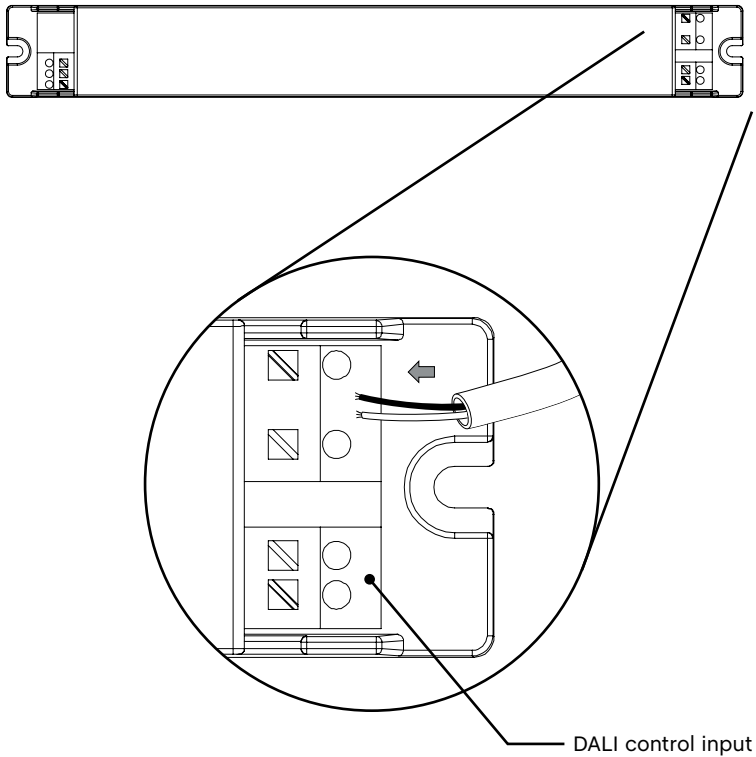
To secure the mains power input cable to the mounting bracket, start by loosening the fixed screw on the cable clamp that is mounted on the mounting bracket adjacent to the input power terminal block, and pass the cable through. Once the cable is in place, tighten the screw again, ensuring there is enough excess cable to reach the terminal blocks of the LED driver.



**Ensure that the mains power is switched OFF before proceeding with the next steps.**

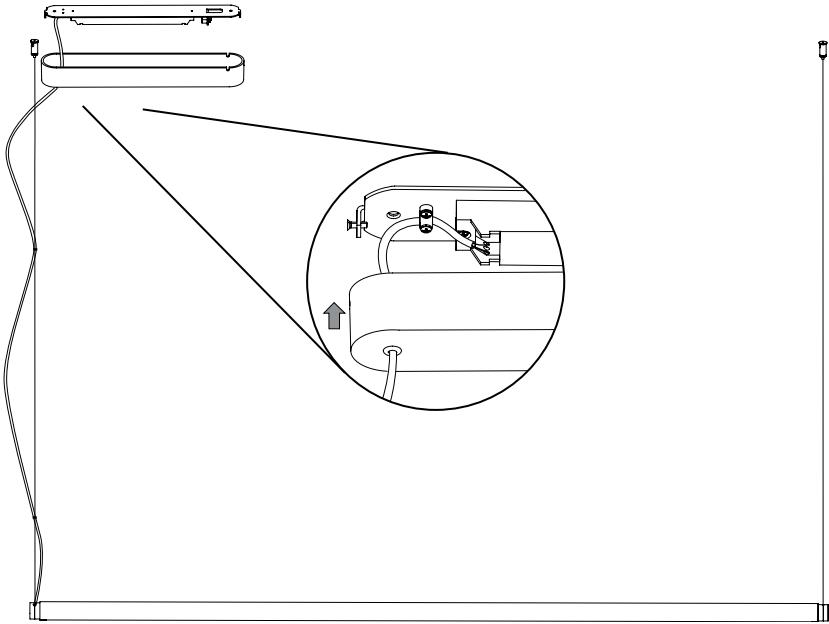
Wiring to mains power: Taking one wire at a time, insert the correct wires into the corresponding slots on the terminal block marked 220-240V, while pressing down on the small button next to them. If indicated, the live mains wire should always be inserted into the slot marked L and the neutral mains wire into the slot marked N. If you are unsure of the polarity of the wires, we recommend you contact a certified electrician.

The included LED driver has DALI control input located next to the mains power input, as an optional way of switching and/or dimming the lamp(s).

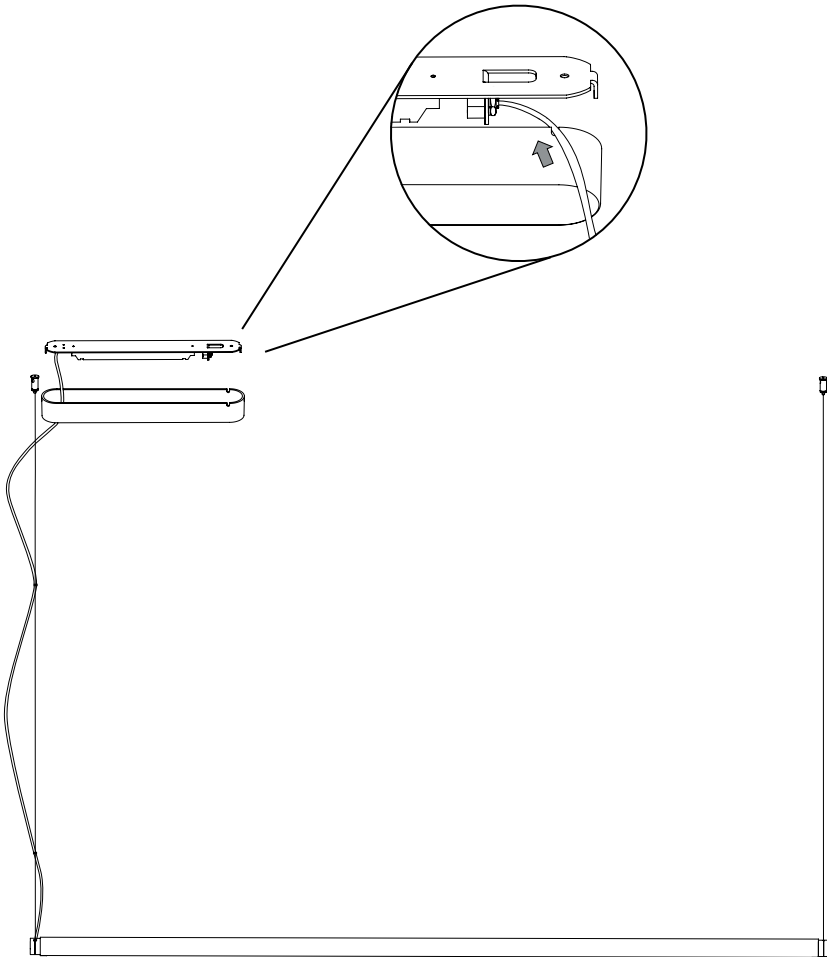


15.

Carefully slide the canopy cover up the thin output cable of the lamp in order to cover the LED driver and mounting bracket.

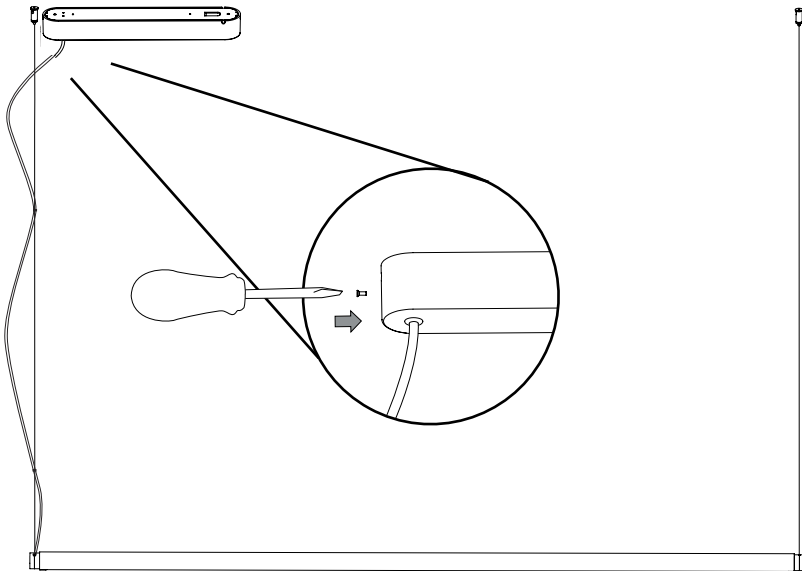


When placing the ceiling canopy cover over the LED driver and mounting bracket, please note that there are cable exit holes for the mains wires on either side of the ceiling cap. Alternatively, there is also a larger hole located in the mounting bracket, depending on whether the power source is located in the ceiling directly behind the canopy cover plate or elsewhere in the ceiling or wall nearby. Fixed wiring of the installation should be double insulated and comply with the external wiring requirements.



17.

Fix the ceiling cap to the bracket using the provided screws.  
The lamp is now ready for use.



- CARE & MAINTENANCE -

Our Care & Maintenance offers guidance for optimal maintenance of your HAY product. It includes advice and instructions on cleaning and caring for specific materials to prolong the life of your lighting.



Please find our Care & Maintenance guide by scanning the QR code



You can find more relevant information on Factor Linear by scanning the QR code

You can also find the same information here  
[hay.dk/downloads](http://hay.dk/downloads)



Havnen 1 8700 Horsens Denmark  
+45 3164 6000 / hay@hay.com

[www.hay.com](http://www.hay.com)

09/01/2023

**HAY**